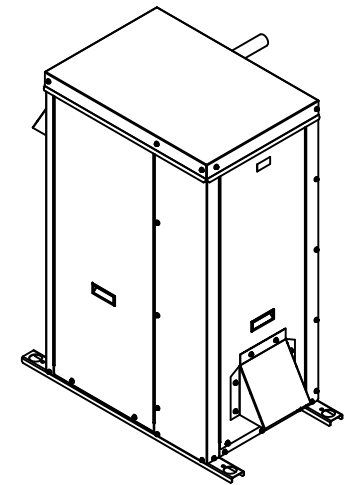
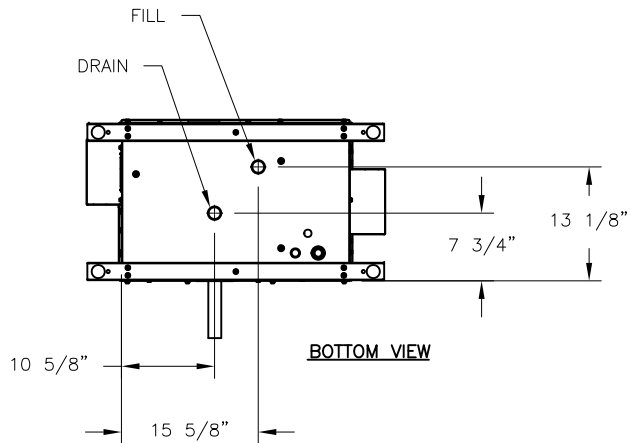
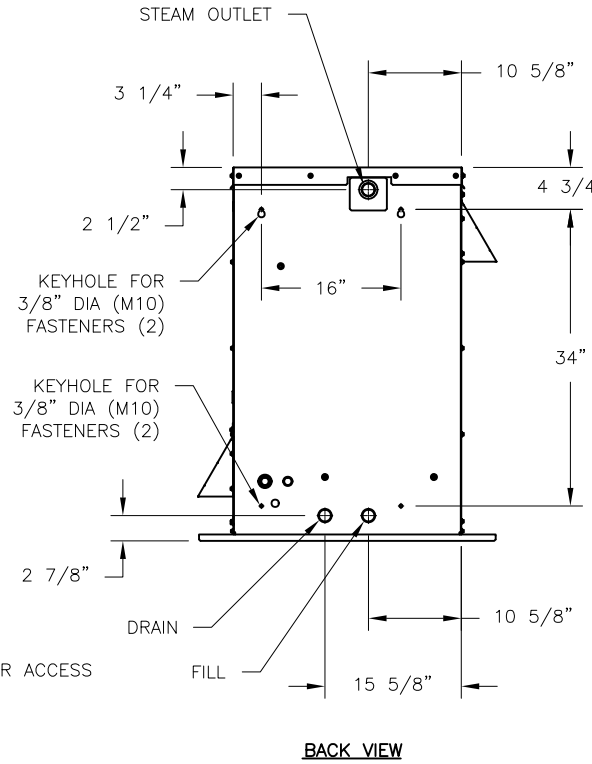
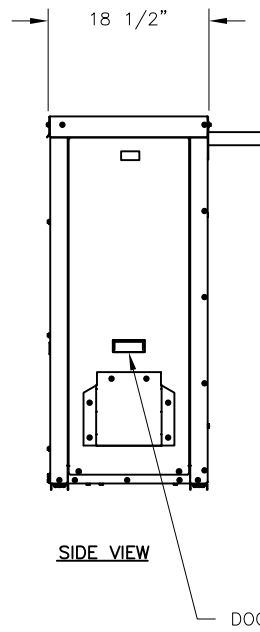
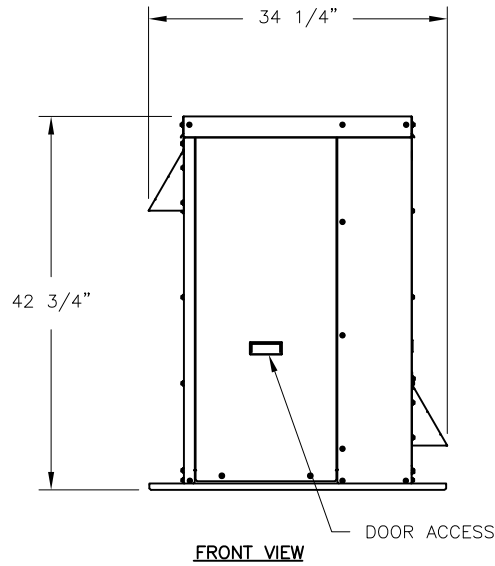


CONFIDENTIAL

DATE	REV	RECORD	DR
2/23	A	SUBMITTAL	JK



	XTP 002-048 OUTDOOR ENCLOSURE	
	MATL:	
	SCALE: 1:22	P/N
	DATE: 2/16/23	GENERIC SUBMITTAL