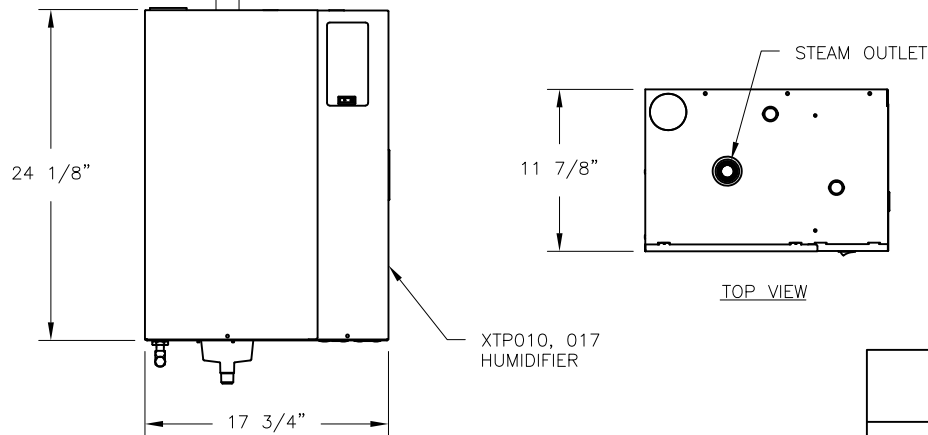
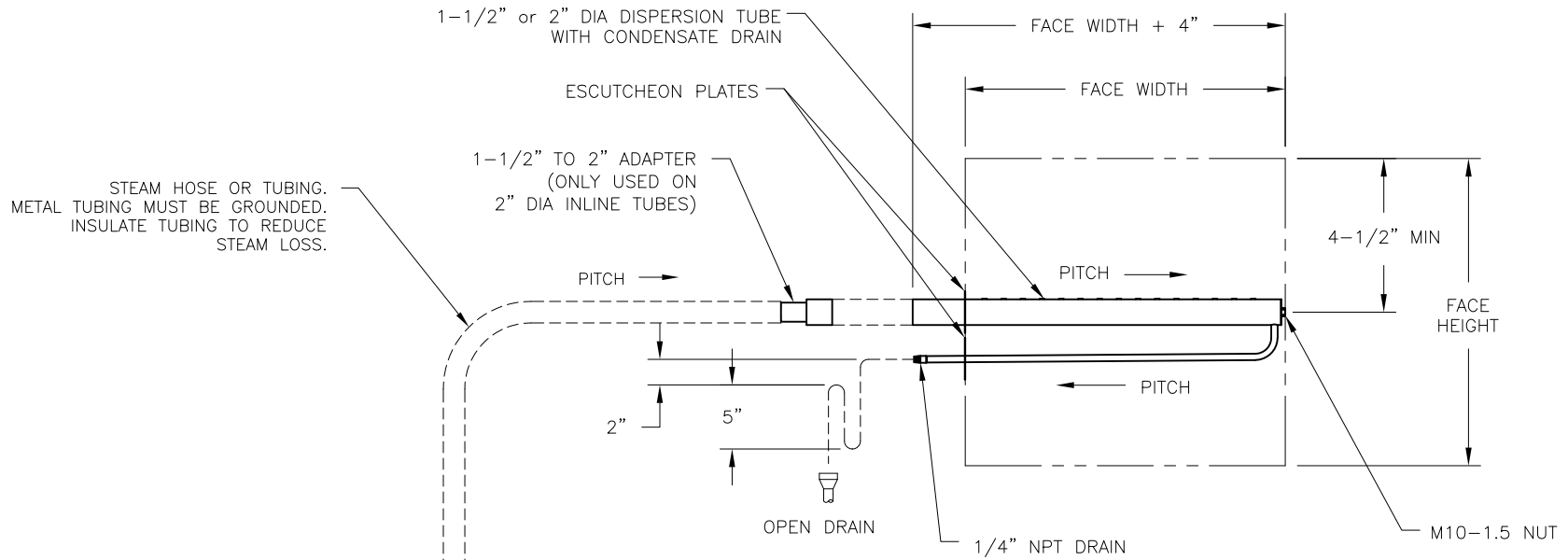


CONFIDENTIAL

DATE	REV	RECORD	DR
8/24	A	SUBMITTAL	JK



	XTP010, 017 WITH INLINE TUBE AND DRAIN	
	MAT'L:	
	SCALE: 1:14	P/N
	DATE: 8/20/24	GENERIC SUBMITTAL