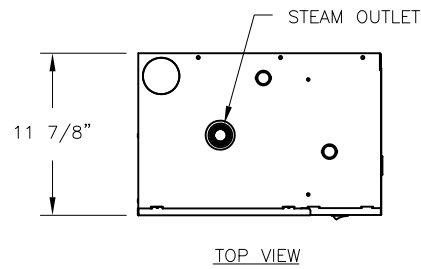
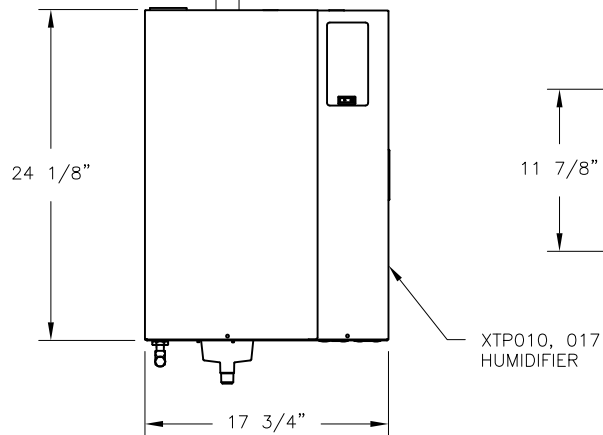
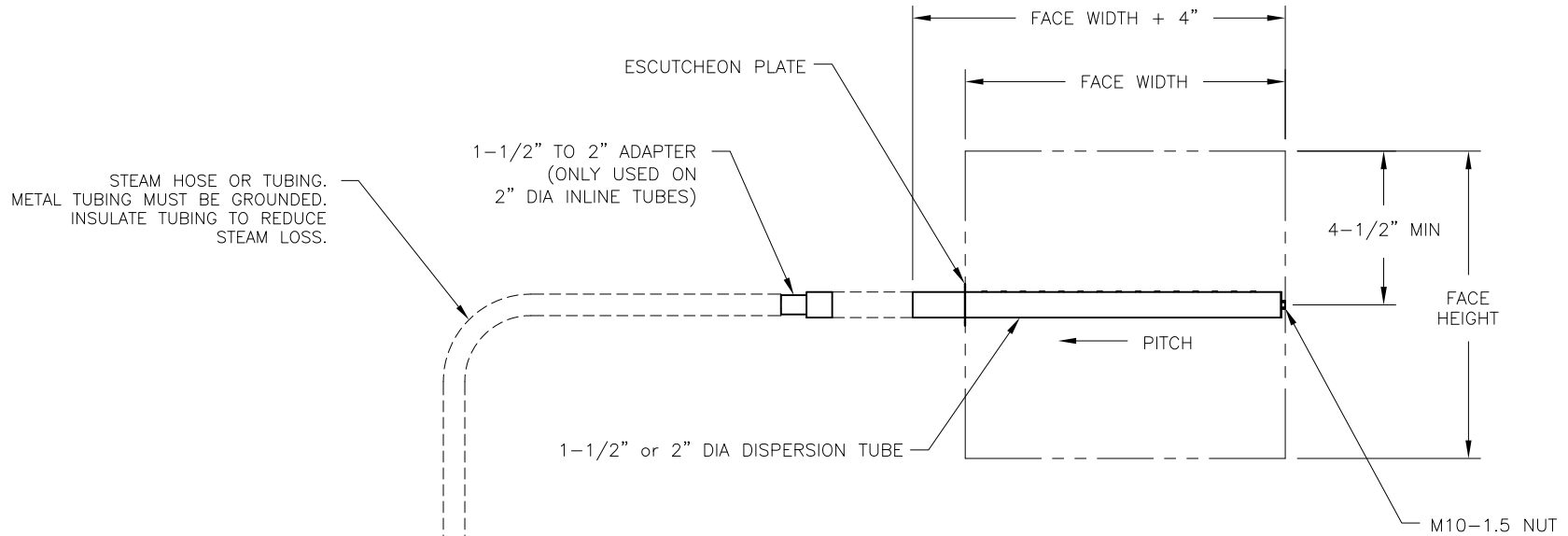


CONFIDENTIAL

DATE	REV	RECORD	DR
8/24	A	SUBMITTAL	JK



		XTP010, 017 WITH INLINE TUBE	
		MAT'L:	
SCALE: 1:14		P/N	
DRAWN BY: JK		GENERIC SUBMITTAL	
DATE: 8/21/24			