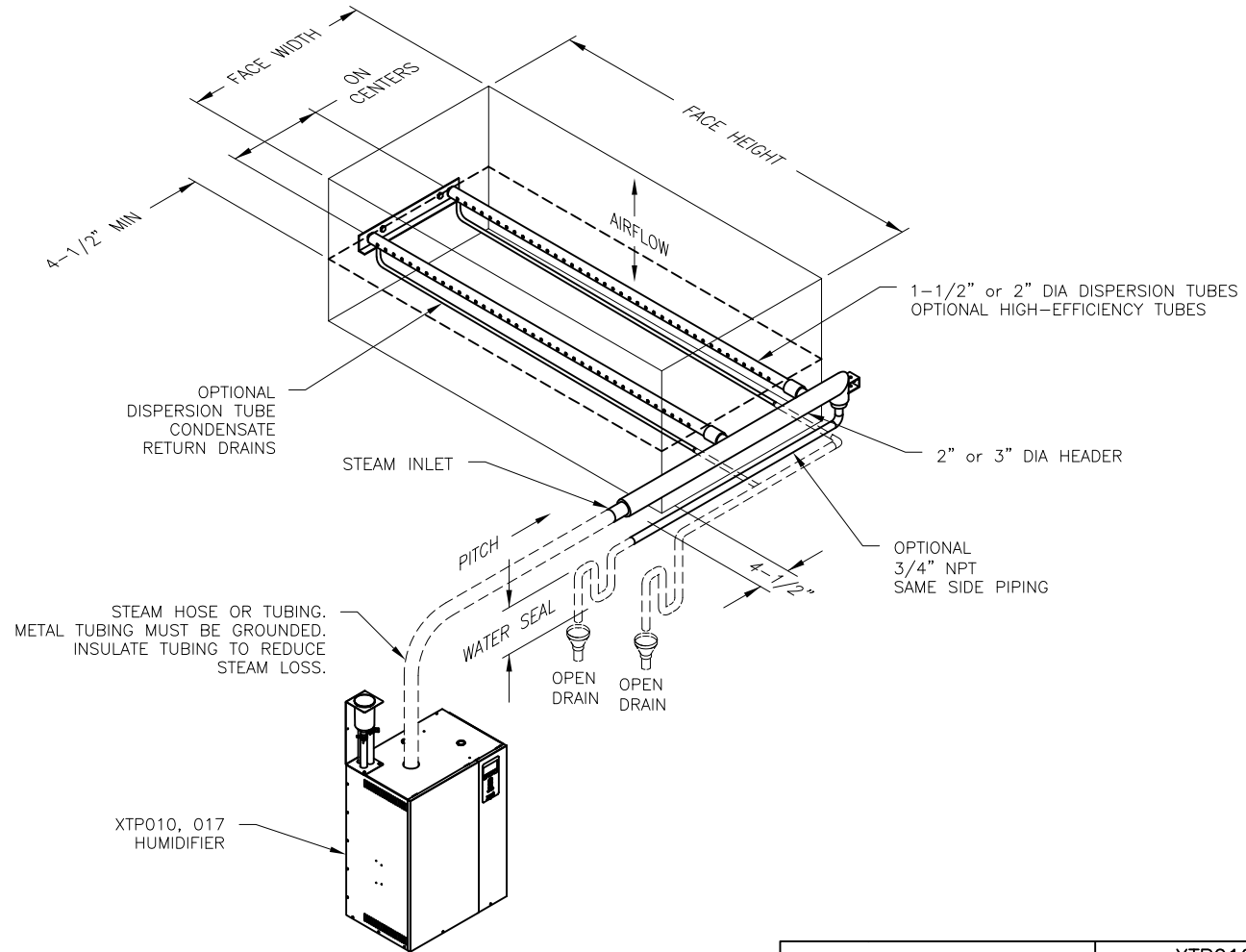



CONFIDENTIAL

DATE	REV	RECORD	DR
8/24	A	SUBMITTAL	JK



		XTP010, 017 WITH RAPID-SORB VERTICAL AIRFLOW	
		MATERIAL:	
SCALE:	1:23	P/N	
DRAWN BY:	JK	GENERIC SUBMITTAL	
DATE:	8/21/24		