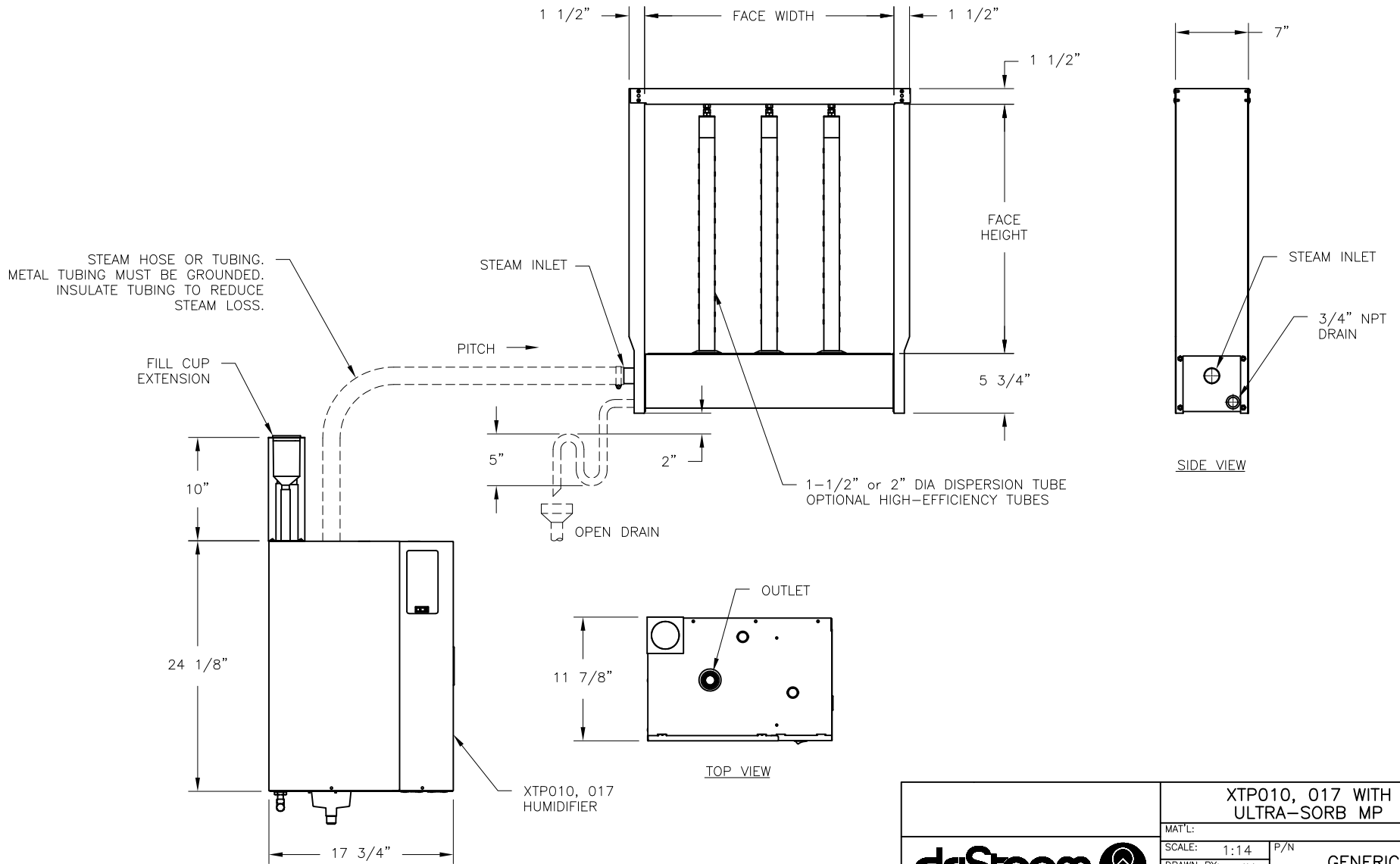


CONFIDENTIAL

DATE	REV	RECORD	DR
8/24	A	SUBMITTAL	JK



		XTP010, 017 WITH ULTRA-SORB MP	
		MATERIAL:	
SCALE: 1:14	P/N		GENERIC SUBMITTAL
DRAWN BY: JK	DATE: 8/19/24		