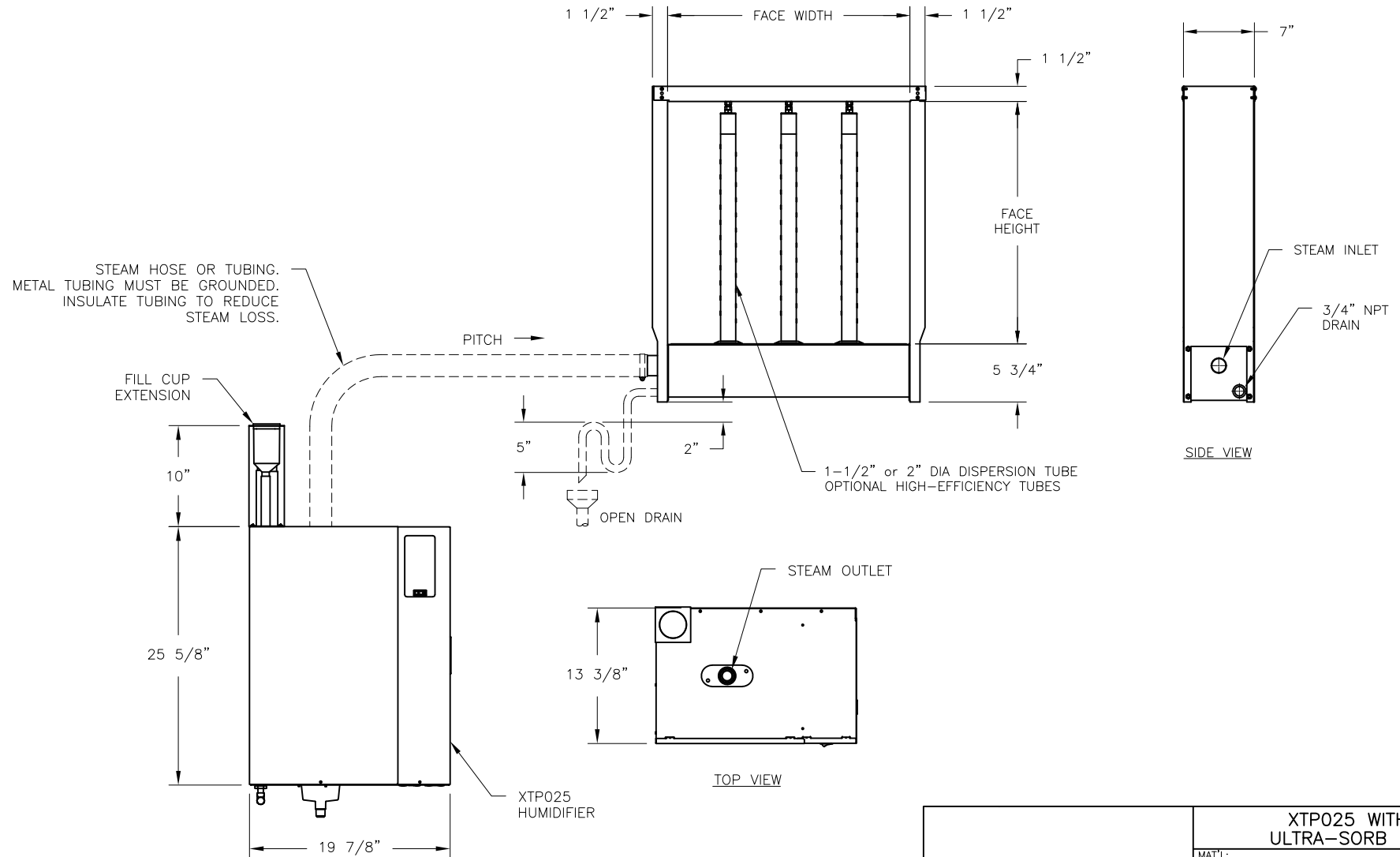


CONFIDENTIAL

DATE	REV	RECORD	DR
8/24	A	SUBMITTAL	JK



	XTP025 WITH ULTRA-SORB MP	
	MAT'L:	
	SCALE: 1:15	P/N
DRAWN BY: JK		GENERIC SUBMITTAL
DATE: 8/16/24		