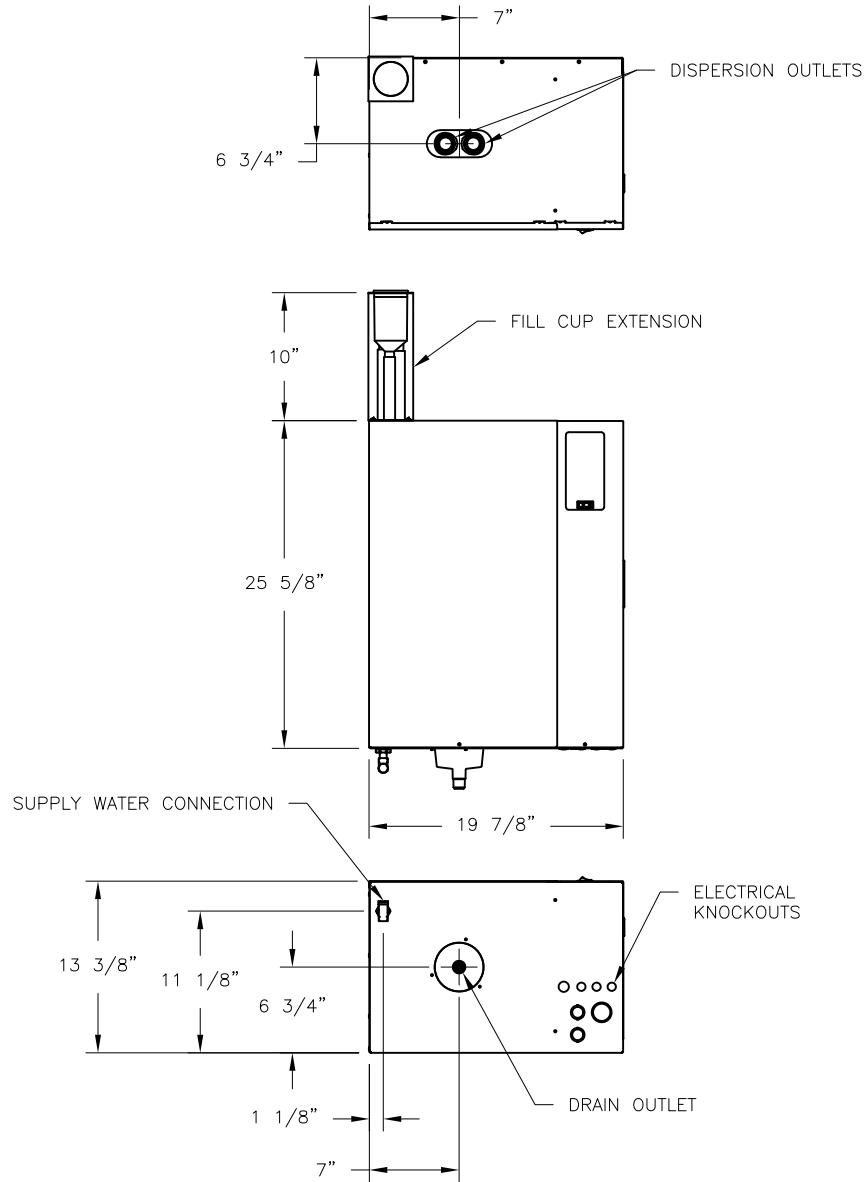



CONFIDENTIAL

DATE	REV	RECORD	DR
8/21	A	SUBMITTAL	JK



	XTP-033,-042,-048 WITH FILL CUP EXTENSION	
	MAT'L:	
	SCALE: 1:15	P/N
	DRAWN BY: JK	GENERIC SUBMITTAL
	DATE: 8/5/21	