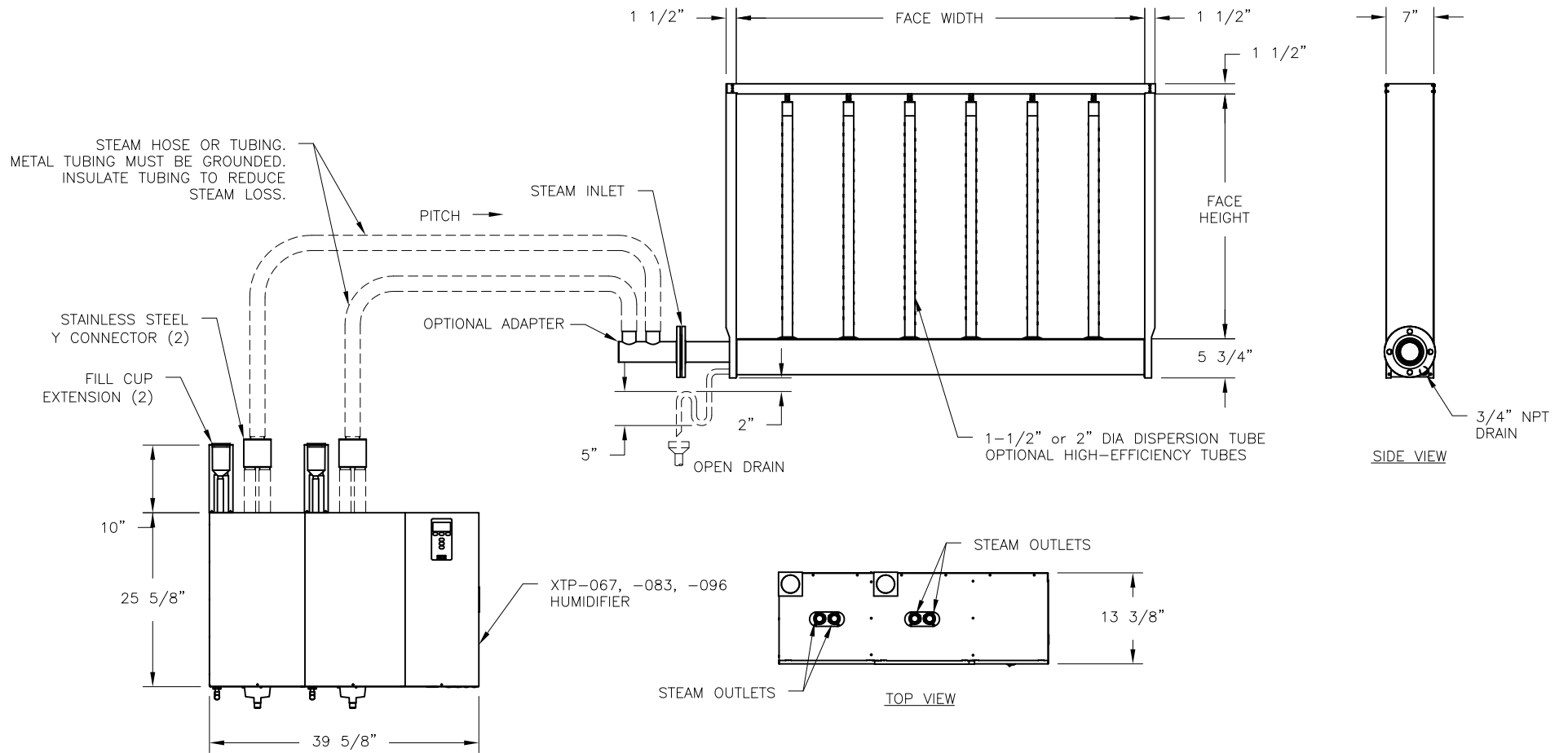


CONFIDENTIAL

DATE	REV	RECORD	DR
8/24	A	SUBMITTAL	JK



		XTP-067 -083 -096 WITH ULTRA-SORB MP	
		MAT'L:	
SCALE: 1:23		P/N	
DRAWN BY: JK		GENERIC SUBMITTAL	
DATE: 8/19/24			