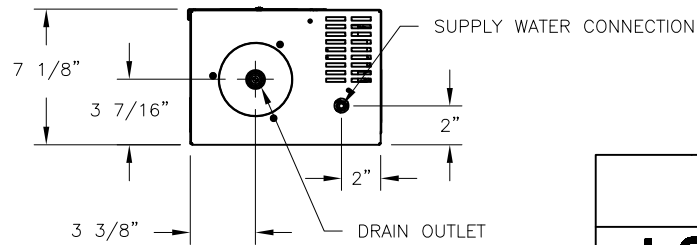
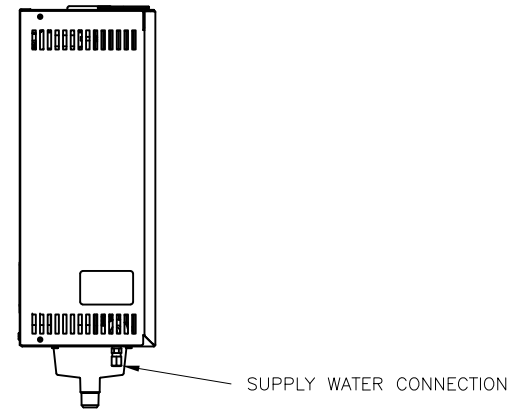
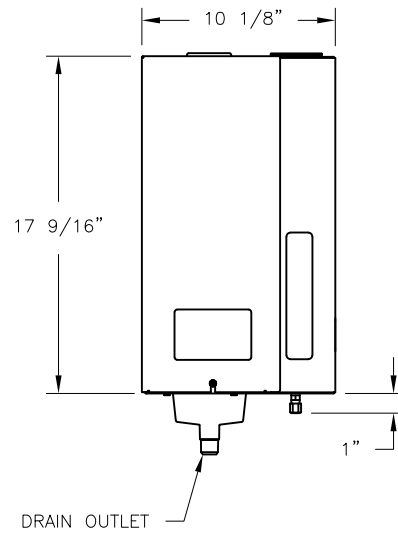
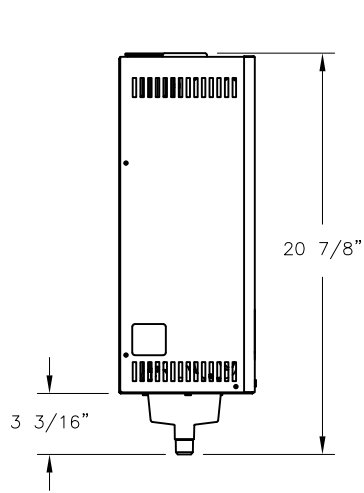
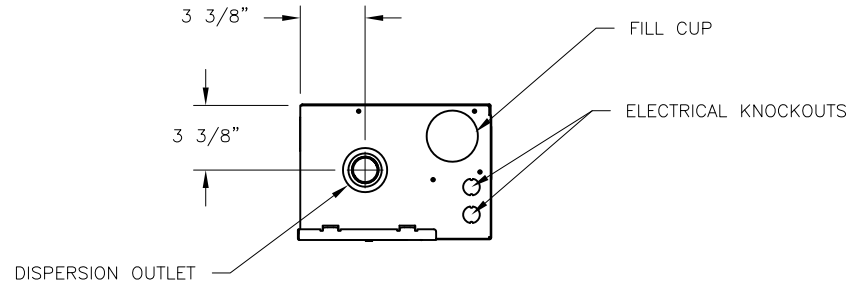


CONFIDENTIAL

DATE	REV	RECORD	DR
8/21	A	SUBMITTAL	JK



		XTR	
		MAT'L:	
SCALE: 1:10	P/N	GENERIC SUBMITTAL	
DRAWN BY: AJK			
DATE: 8/5/21			