

Updated outdoor enclosure dimensions:

- Product Catalog page 15
- IOM page 17

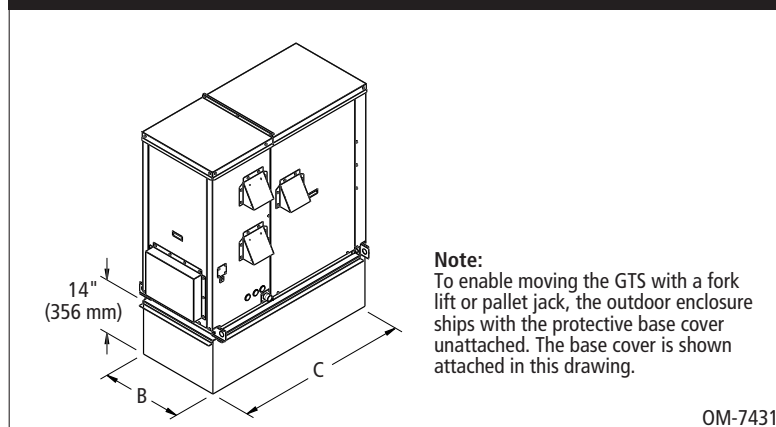
Addendum to GTS® Gas-to-Steam Humidifier Product Catalog and Installation, Operation, and Maintenance Manual

DRI-STEEM
the humidification experts

Outdoor enclosure dimensions

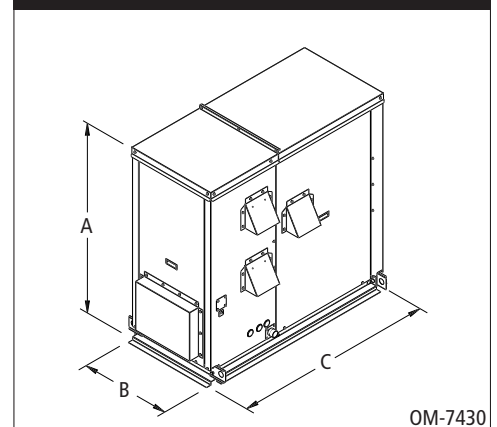
	Description	GTS-100 GTS-200		GTS-300 GTS-400		GTS-600		GTS-800	
		inches	mm	inches	mm	inches	mm	inches	mm
A	Enclosure height	54.63	1388	54.63	1388	54.63	1388	54.63	1388
B	Enclosure width	26.00	660	32.00	813	42.00	1067	48.00	1219
C	Enclosure length	57.25	1454	57.25	1454	57.25	1454	57.25	1454

Outdoor enclosure mounted on a curb



OM-7431

Outdoor enclosure mounted flush

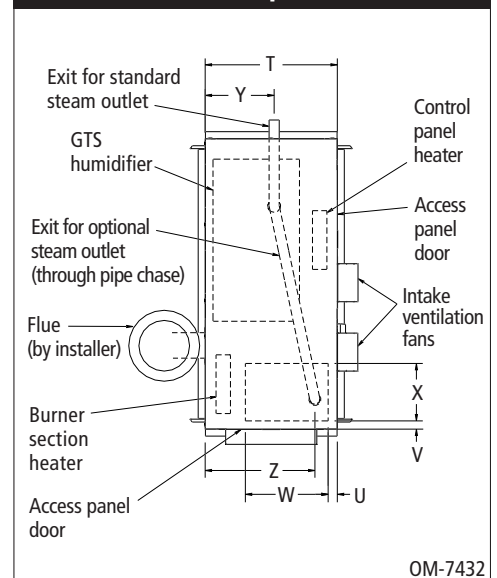


OM-7430

Outdoor enclosure top view dimensions

	Description	GTS-100 GTS-200		GTS-300 GTS-400		GTS-600		GTS-800	
		inches	mm	inches	mm	inches	mm	inches	mm
T	Enclosure width	26.00	660	32.00	813	42.00	1067	48.00	1219
U	Pipe chase position	3.00	76	3.00	76	3.00	76	3.00	76
V		3.00	76	3.00	76	3.00	76	3.00	76
W	Pipe chase size	16.00	406	16.00	406	16.00	406	16.00	406
X		11.00	279	11.00	279	11.00	279	11.00	279
Y	Steam pipe position	14.12	359	20.12	511	30.12	765	36.12	917
Z		21.00	533	27.00	686	37.00	940	43.00	109

Outdoor enclosure top view



OM-7432

For the most recent product information,
visit our web site, www.dristeem.com, or
contact us.

Phone: 800-328-4447
E-mail: sales@dristeem.com

DRI-STEEM Corporation

An ISO 9001: 2000 certified corporation

U.S. Headquarters:

14949 Technology Drive
Eden Prairie, MN 55344
800-328-4447
952-949-2415
952-229-3200 (fax)

European office:

Bell Place, Bell Lane
Syresham, Brackley
NN13 5HP, UK
+44 1280 850122 (voice)
+44 1280 850124 (fax)
E-mail: 106277.1443@compuserve.com

Continuous product improvement is a
policy of DRI-STEEM Corporation; therefore,
product features and specifications are
subject to change without notice.

DRI-STEEM and GTS are registered
trademarks of DRI-STEEM Corporation
and are filed for trademark registration in
Canada and the European community.

© 2007 DRI-STEEM Corporation

Form No. GTS-IOM-Cat-Addendum-0307
Part No. 890000-105