



Siemens QFM8 1.2 Duct High Limit Humidistat

REQUIRED TOOLS

- Screwdriver
- Electric drill
- 7 mm Wrench

EXPECTED INSTALLATION TIME

15 minutes

INSTRUCTIONS

Air Duct Mounting

- If the duct humidistat is used for monitoring the maximum or minimum humidity level, mount in the supply air duct.
- If the duct humidistat is used for control, mount in the exhaust air duct after the room to be controlled.

Mounting Positions

The immersion sensor stem must be mounted either horizontally or vertically with the stem pointing downward. Do not mount with the stem pointing upward (see Figure 1-1).

Ensure that the air to be measured is sufficiently mixed at the point of measurement for accurate humidity measurements.

The mounting orientation is dependent on the air velocity in the ductwork: at < 984 ft/min (5 m/s), the holes in the stem must face the airflow; at >984 ft/min (5 m/s), they must be perpendicular to the direction of airflow. (See Figure 1-2.)

Minimum Immersion Length

NOTE: When mounting the humidistat in air ducts, the minimum immersion length of the stem is 5.12 inches (130 mm). The mounting flange supplied with the unit allows the immersion length to be adjusted between 5.12 inches (130 mm) and 6.14 inches (156 mm).

FIGURE 1-1: ACCEPTABLE MOUNTING POSITIONS

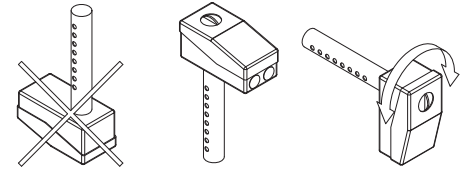


FIGURE 1-2: MOUNTING ORIENTATIONS

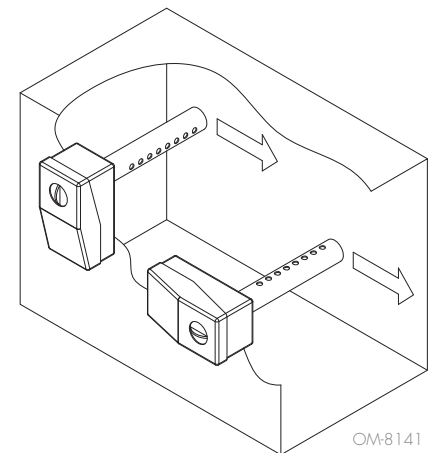
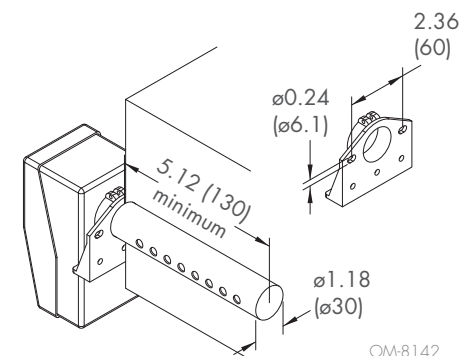


FIGURE 1-3: MOUNTING FLANGE



Wall Mounting Calibration

The humidistat should be mounted:

- On an inner wall approximately 4.9 feet (1.5 m) above the floor, and at least 1.6 feet (0.5 m) from the closest adjoining wall.
- Where there is a natural circulation of room air (do not mount near drafts, in corners, behind curtains, too close to doors and windows, or on an outer wall).
- Away from sources of heat and refrigeration (radiators, computers, televisions, concealed heating pipes, hot or cold water pipes).
- Where it is not exposed to direct sunlight.

NOTE: You must use the mounting flange supplied with the humidistat for wall mounting.

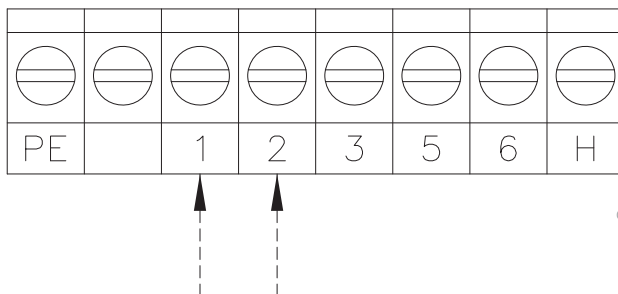
Wiring

1. Using a flat-blade screw driver, loosen the mounting screw and remove the cover to expose the wiring terminals.
2. Wire the device as required. See Figures 2-1 and 2-2.
NOTE: For use as a Duct High Limit safety, switch is normally closed and will open on humidity rise.

Calibration

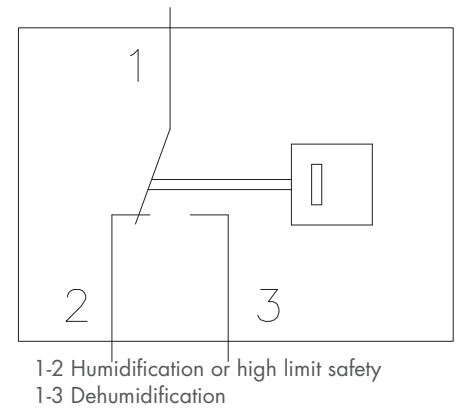
1. If humidity is known and field calibration is needed, then the device may be set to known humidity. Use a 7 mm wrench to adjust until an audible click is heard. This will calibrate the unit (see Figure 2-3).
2. Replace the cover and tighten the mounting screw with a flat-head screwdriver.

FIGURE 2-1: TERMINAL BLOCK



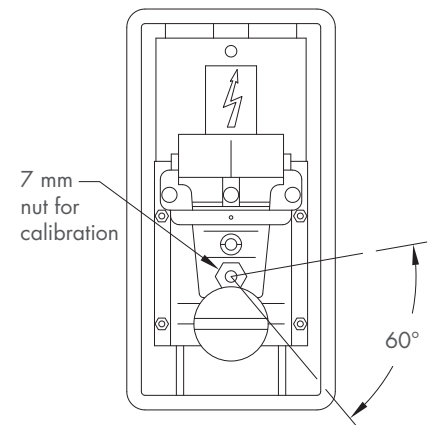
OM-8154

FIGURE 2-2: WIRING CONNECTIONS



OM-8140

FIGURE 2-3: HUMIDITY CALIBRATION



OM-8139