




 <p>WARNING</p> <p>Indicates a hazardous situation that could result in death or serious injury if instructions are not followed.</p>	 <p>CAUTION</p> <p>Indicates a hazardous situation that could result in damage to or destruction of property if instructions are not followed.</p>
---	--


mc_051508_1145

 WARNING	
	<p>Read all warnings and instructions</p> <p>This page provides important safety instructions; it is intended to supplement — not replace — the humidifier's Installation, Operation, and Maintenance Manual (IOM). Read the IOM that was provided with the humidifier before performing service or maintenance procedures on any part of the system. Failure to follow all warnings and instructions could produce the hazardous situations described here and in the IOM, resulting in property damage, personal injury, or death.</p> <p>If the IOM is missing, go to www.dristeem.com to download a replacement.</p>
	<p>Hot surfaces and hot water</p> <p>Steam humidification systems have extremely hot surfaces, and water in tanks, electrode cylinders, steam pipes, and dispersion assemblies can be as hot as 212 °F (100 °C). To avoid severe burns, allow the entire humidification system to cool.</p> <p>Follow the cool-down procedure in the humidifier's IOM before performing service or maintenance procedures on any part of the system.</p>
	<p>Electrical shock hazard</p> <p>If the humidifier starts up at a call for humidity during maintenance, severe bodily injury or death from electrical shock could occur. To prevent such start-up, follow the procedure below before performing service or maintenance procedures on this humidifier (after the tank has cooled down and drained):</p> <ol style="list-style-type: none"> 1. Use the Vapor-logic^{®3} controller keypad to change the control mode to Standby. 2. Shut off all electrical power to the humidifier using the field-installed fused disconnect, and lock all power disconnect switches in the OFF position. 3. Close the field-installed manual water supply shut-off valve. 4. Close the manual inlet steam supply (on STS) or inlet hot liquid supply (on LTS) shut-off valve.

mc_071608_0910

mc_071608_0911

mc_050808_1541

 CAUTION	
<p>Damage from hot discharge water</p> <p>Discharge water can be as hot as 212 °F (100 °C) and can damage the drain plumbing.</p> <p>If the humidifier is equipped with a water tempering device such as a DRI-STEEM Drane-kooler[™], it needs fresh make-up water in order to function properly. Make sure the water supply to the Drane-kooler remains open during draining.</p> <p>If the humidifier is not equipped with a water tempering device, allow the tank to cool before opening the drain valve.</p>	

mc_111308_1345

STS/LTS, standard water, service kit parts

STS03 / LTS03, standard water, 25 Service Kit No. 900100-601			
No.	Part Description	Part No.	Qty.
1	Probe tool (see Probe Tool inset)	406201	1
2	Probe assembly	406303-008	1
3	Probe gasket	309750-004	1
4	Silicone, clear	320000	1
5	Sediment screen (see Fill Valve inset)	300051	1
6	Probe plate gasket	308416-001	1
7	Cleanout plate gasket	308015-001	1
8	Cover gasket	160692-001	1
9	Heat exchanger gasket, front	308220	2
10	Washer, flat 10-32	700300-008	8
11	Nut, 10-32, w/Nylon insert	700252-003	8
12	Nut, 14-20, w/Nylon insert	700300-016	16
STS03, standard water, 50 Service Kit No. 900100-602			
No.	Part Description	Part No.	Qty.
1	Probe tool (see Probe Tool inset)	406201	1
2	Probe assembly	406303-008	1
3	Probe gasket	309750-004	1
4	Silicone, clear	320000	1
5	Sediment screen (see Fill Valve inset)	300051	1
6	Probe plate gasket	308416-001	1
7	Cleanout plate gasket	308015-002	1
8	Cover gasket	160692-002	1
9	Heat exchanger gasket, front	308220	2
10	Washer, flat 10-32	700300-008	8
11	Nut, 10-32, w/Nylon insert	700252-003	8
12	Nut, 14-20, w/Nylon insert	700300-016	16
STS03 / LTS03, standard water, 100 Service Kit No. 900100-603			
No.	Part Description	Part No.	Qty.
1	Probe tool (see Probe Tool inset)	406201	1
2	Probe assembly	406303-008	1
3	Probe gasket	309750-004	1
4	Silicone, clear	320000	1
5	Sediment screen (see Fill Valve inset)	300051	1
6	Probe plate gasket	308416-001	1
7	Cleanout plate gasket	308015-002	1
8	Cover gasket	160692-003	1
9	Heat exchanger gasket, front	308220	2
10	Washer, flat 10-32	700300-008	8
11	Nut, 10-32, w/Nylon insert	700252-003	8
12	Nut, 14-20, w/Nylon insert	700300-016	16

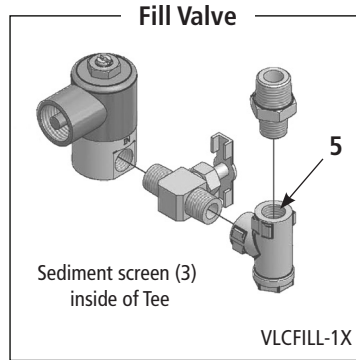
STS03, standard water, 200/400 Service Kit No. 900100-604			
No.	Part Description	Part No.	Qty.
1	Probe tool (see Probe Tool inset)	406201	1
2	Probe assembly	406303-008	1
3	Probe gasket	309750-004	1
4	Silicone, clear	320000	1
5	Sediment screen (see Fill Valve inset)	300051	1
6	Probe plate gasket	308416-001	1
7	Cleanout plate gasket	308015-003	1
8	Cover gasket	160692-004	1
9	Heat exchanger gasket, front	308220	2
10	Washer, flat 10-32	700300-008	8
11	Nut, 10-32, w/Nylon insert	700252-003	8
12	Nut, 14-20, w/Nylon insert	700300-016	16
STS03, standard water, 800 and LTS03, standard water, 400 Service Kit No. 900100-605			
No.	Part Description	Part No.	Qty.
1	Probe tool (see Probe Tool inset)	406201	1
2	Probe assembly	406303-008	1
3	Probe gasket	309750-004	1
4	Silicone, clear	320000	1
5	Sediment screen (see Fill Valve inset)	300051	1
6	Probe plate gasket	308416-001	1
7	Cleanout plate gasket	308015-003	1
8	Cover gasket	160692-004	1
9	Heat exchanger gasket, front	308220	4
10	Washer, flat 10-32	700300-008	16
11	Nut, 10-32, w/Nylon insert	700252-003	16
12	Nut, 14-20, w/Nylon insert	700300-016	32

STS/LTS, standard water, service kit parts

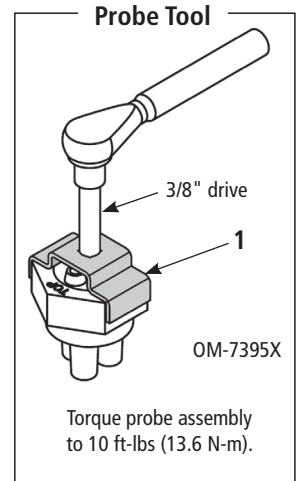
This service kit contains the replacement parts called out in the parts drawing to keep your DRI-STEEM humidifier operating at peak performance. This Service Kit Manual provides important safety and service instructions; it is intended to supplement—not replace—the humidifier's Installation, Operation, and Maintenance Manual. Please see **Read all warnings and instructions** on page 1.

While performing service and maintenance procedures, replace existing parts with the new parts provided in the service kit.

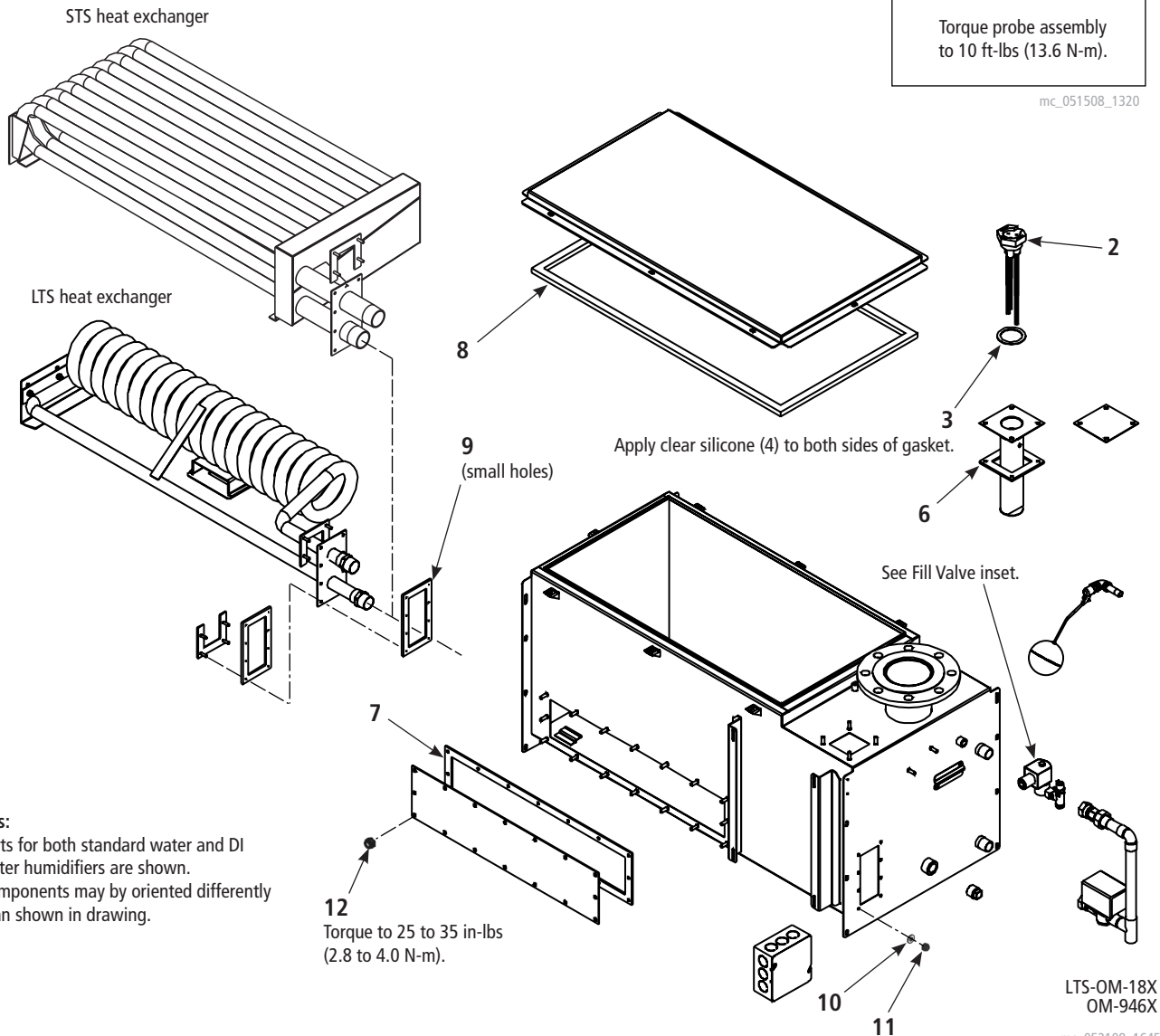
mc_052808_1400



mc_052108_1210



mc_051508_1320



Notes:

- Parts for both standard water and DI water humidifiers are shown.
- Components may be oriented differently than shown in drawing.

LTS-OM-18X
OM-946X

mc_052108_1645

STS/LTS, standard water, service instructions



Cool down humidifier

Before performing service or maintenance procedures, allow the tank to cool down. Insulated and uninsulated tanks will have hot surfaces.

Note: Fresh make-up water is used to speed up cooling. Do not close the manual water supply before cooling down the humidifier; otherwise the tank could stay hot for several hours.

1. Close the manual shut-off valve on the inlet steam supply (STS humidifiers) or the inlet hot liquid supply (LTS humidifiers).
2. Drain the tank:

Models with a standard drain valve and Vapor-logic3 controller (for drain valves without the manual open lever, use the keypad to perform the cool down procedure. Refer to the *Vapor-logic3 Installation and Operation Manual* for more information):

- a. Select Manual Drain in the control modes screen.
- b. Allow approximately half the water to drain out of the tank.
- c. Select Auto in the control modes screen; the fill valve opens and the humidifier cools down.
- d. When the fill valve closes, select Manual Drain in the control modes screen and allow the tank to drain dry. The humidifier should be cool enough to work on.

Alternative method with the LW417 electronic water level control option:

- a. Manually open the drain valve by moving the valve lever located on the back of the drain valve to the manual open position. The fill valve opens when the water drops below the middle probe.
- b. Let the fill water run until the tank is cooled; then shut off the field installed manual supply water shut-off valve.
- c. Let the tank drain; then manually close the drain valve.

mc_060208_1650



Shut down humidifier

Follow the procedure below before performing service or maintenance procedures (after the tank has cooled down and drained):

1. If the humidifier is equipped with a Vapor-logic3 controller, use the keypad to change the control mode to Standby.
2. Shut off all electrical power to the humidifier using the field-installed fused disconnect, and lock all power disconnect switches in the OFF position.
3. Close the field-installed manual water supply shut-off valve.
4. Close the manual inlet steam supply (on STS) or inlet hot liquid supply (on LTS) shut-off valve.

mc_060208_1440

Inspection and maintenance

Annually (also recommended when maintenance is performed)

1. All safety devices in the control circuit should be cycled on and off to verify they are functioning. These include:
 - High limit switch
 - Airflow proving switch
 - Low water level probe. Pull out probe plug; fill valve should energize.
2. Inspect tank and gaskets for leaks.

Seasonally (or as required, depending on water quality)

1. Clean the tank:
 - a. Remove cleanout plate and dispose any loose scale that has collected in the bottom of the tank. This should be done before the scale buildup reaches the bottom of the heat exchanger.
 - b. Inspect the area inside the tank in front of the drain valve fitting and thoroughly clean all scale and mineral buildup from that area.
2. Clean the probes:
 - a. Disconnect the probe plug and cable assembly (located on top of the tank) and unscrew the probe rod assembly from the humidifier probe housing.
 - b. Inspect the probe housing and clean, ensuring that all the housing passageways are clear. To detach the housing from the tank, remove the four bolts that attach it to the tank. Then slide the housing vertically out of the tank.

The scale should flake off easily from the probe assembly rods.
 - c. The bottom 3/8" (10 mm) is the sensing portion of the probe rod; it should be brushed clean with a wire brush, abrasive pad, or steel wool.
 - d. Inspect the composite plastic probe rod assembly for any signs of cracking, roughness, or deterioration. If found, replace probe assembly.
 - e. Reassemble the probe assembly.

STS/LTS, standard water, service instructions

3. Clean the skim/overflow port:
 - a. Water should drain from the skimmer drain pipe after each fill cycle. This should be verified visually by a weekly inspection.
 - b. Loosen deposits in and around the skimmer/overflow port with a long tool such as a screwdriver.
 - c. If flow through the water seal/P-trap is diminished due to mineral accumulation:
 - Remove the water seal piping from the humidifier and flush out.
 - Replace the water seal with new piping if the minerals have hardened in the water seal.
 - Install a union at the base of the water seal to ease removal if water quality causes the water seal to become clogged often with scale.
4. When the seasonal maintenance requirements are complete:
 - a. Tighten down the nuts on the cleanout plate. Torque the nuts to 25 to 35 in-lbs (2.8 to 4.0 N-m).
 - b. Verify that the probe rod holder is secure and that the probe plug and cable assembly are plugged into the probe rod holder.
 - c. Replace and secure all covers.
 - d. Verify that the drain valve assembly is in the closed position.
 - e. Turn on the water supply.
 - f. Turn on the electrical power.
 - g. Do not leave humidifier unattended. Allow the humidifier to cycle through multiple fill cycles and verify that the humidifier cover, cleanout plate, and probe holder gasket are not leaking.

Off-season maintenance

Perform complete inspection and cleaning of the following:

- Heat exchanger
- Probe rods
- Skimmer port and water seal
- Humidifier tank

After cleaning, the humidifier should remain empty until humidification is required.

Start-up

Perform the **Annual** safety checks in the *Inspection and maintenance* section on page 4.

If resuming operation after service, do not leave the humidifier unattended; allow it to cycle through multiple fill cycles to verify that all serviced parts are functioning properly. See the humidifier's Installation, Operation, and Maintenance manual for start-up details.

mc_052908_1005

mc_060208_1705-2

Humidifier De-scaling Solution

Scale buildup on humidifier heat exchangers acts as an insulator, reducing humidifier performance while increasing energy costs. To keep humidifiers operating as efficiently as possible, remove scale with DRI-STEEM's Humidifier De-scaling Solution, available for purchase from your DRI-STEEM representative or distributor.

The De-scaling Solution cleans without risk of corroding humidifier tanks or welds. The De-scaling Solution also cleans surfaces unreachable by hand scraping.

DRI-STEEM's Humidifier De-scaling Solution is the only approved cleaner/de-scaler for use with DRI-STEEM humidifiers. Use of other cleaners/de-scalers may void your DRI-STEEM warranty.

mc_021908_1410-heatx

DRI-STEEM Corporation

An ISO 9001: 2000 certified corporation

U.S. Headquarters:

14949 Technology Drive
Eden Prairie, MN 55344
800-328-4447 or 952-949-2415
952-229-3200 (fax)

European office:

Marc Briers
Grote Hellekensstraat 54 b
B-3520 Zonhoven
Belgium
+3211823595 (voice)
+3211817948 (fax)
E-mail: marc.briers@dristeem.com

Continuous product improvement is a policy of DRI-STEEM Corporation; therefore, product features and specifications are subject to change without notice.

DRI-STEEM, LTS, STS, and Vapor-logic are registered trademarks of DRI-STEEM Corporation and are filed for trademark registration in Canada and the European community.

Drane-kooler is a trademark of DRI-STEEM Corporation.

© 2013 DRI-STEEM Corporation

Form No. STS/LTS-standard-SKM-1013
Part No. 891000-501 Rev D

DRI-STEEM products are warranted according to the terms and conditions of the standard two-year Limited Warranty effective when the humidifier was purchased. See the literature that was shipped with the humidifier for warranty information.

mc_081308_1405



ATTENTION

Indique une situation dangereuse qui pourrait entraîner des blessures graves voire la mort si les consignes ne sont pas respectées.



ATTENTION

Indique une situation dangereuse qui pourrait endommager ou détruire des biens si les consignes ne sont pas respectées.



ATTENTION



Lire l'ensemble des mises en garde et des instructions

Cette page fournit des consignes de sécurité importantes ; elle est conçue pour compléter — non remplacer — le Manuel d'installation, d'utilisation et de maintenance (IOM). Lire l'IOM qui a été fourni avec l'humidificateur avant d'effectuer des interventions d'entretien ou de maintenance sur n'importe quelle pièce du système. Le non-respect de l'ensemble des mises en garde et des instructions pourrait engendrer les situations dangereuses décrites dans ce document et dans l'IOM, et occasionner des dommages aux biens, des préjudices corporels voire la mort. Si l'IOM est manquant, **rendez-vous à www.dristeem.com pour télécharger un manuel de remplacement.**



Surfaces et eau portées à température élevée

Les systèmes d'humidification à vapeur comportent des surfaces à température extrêmement élevée ; la température de l'eau présente dans les cuves, les cylindres à électrode, les conduites de vapeur et les ensembles de dispersion peut atteindre 100 °C. Pour éviter tout risque de brûlures graves, laisser refroidir tout le système d'humidification.

Suivre la procédure de refroidissement décrite dans l'IOM de l'humidificateur avant d'effectuer des interventions d'entretien ou de maintenance sur n'importe quelle pièce du système.



Risque de choc électrique

Si l'humidificateur démarre en réponse à une demande d'humidification lors d'une intervention de maintenance, cela pourrait occasionner des préjudices corporels graves voire la mort à la suite d'un choc électrique. Pour éviter un tel démarrage, suivre la procédure ci-dessous avant toute intervention d'entretien ou de maintenance sur cet humidificateur (une fois que la cuve a été refroidie et vidangée) :

1. Utiliser le pavé numérique du dispositif de régulation Vapor-logic[®]3 pour basculer le mode de commande en Veille.
2. Couper toute l'alimentation électrique de l'humidificateur en utilisant le sectionneur à fusible installé sur site et verrouiller tous les sectionneurs d'alimentation en position d'arrêt OFF.
3. Fermer le robinet de sectionnement d'alimentation manuelle en eau installé sur site.
4. Fermer le robinet de sectionnement manuel de l'alimentation en vapeur de l'entrée (sur STS) ou l'alimentation en liquide chaud de l'entrée (sur LTS).



ATTENTION

Dommages occasionnés par l'eau de refoulement à haute température

La température de l'eau de refoulement peut atteindre 100 °C et endommager la plomberie de vidange.

Si l'humidificateur est équipé d'un dispositif de tempérage de l'eau comme DRI-STEEM Drane-kooler[™], il a besoin d'eau d'appoint fraîche pour fonctionner correctement. S'assurer que l'alimentation en eau du Drane-kooler reste ouverte lors de la vidange.

Si l'humidificateur n'est pas équipé d'un dispositif de tempérage de l'eau, laisser la cuve refroidir avant d'ouvrir le robinet de vidange.

STS/LTS, eau standard, pièces du nécessaire d'entretien

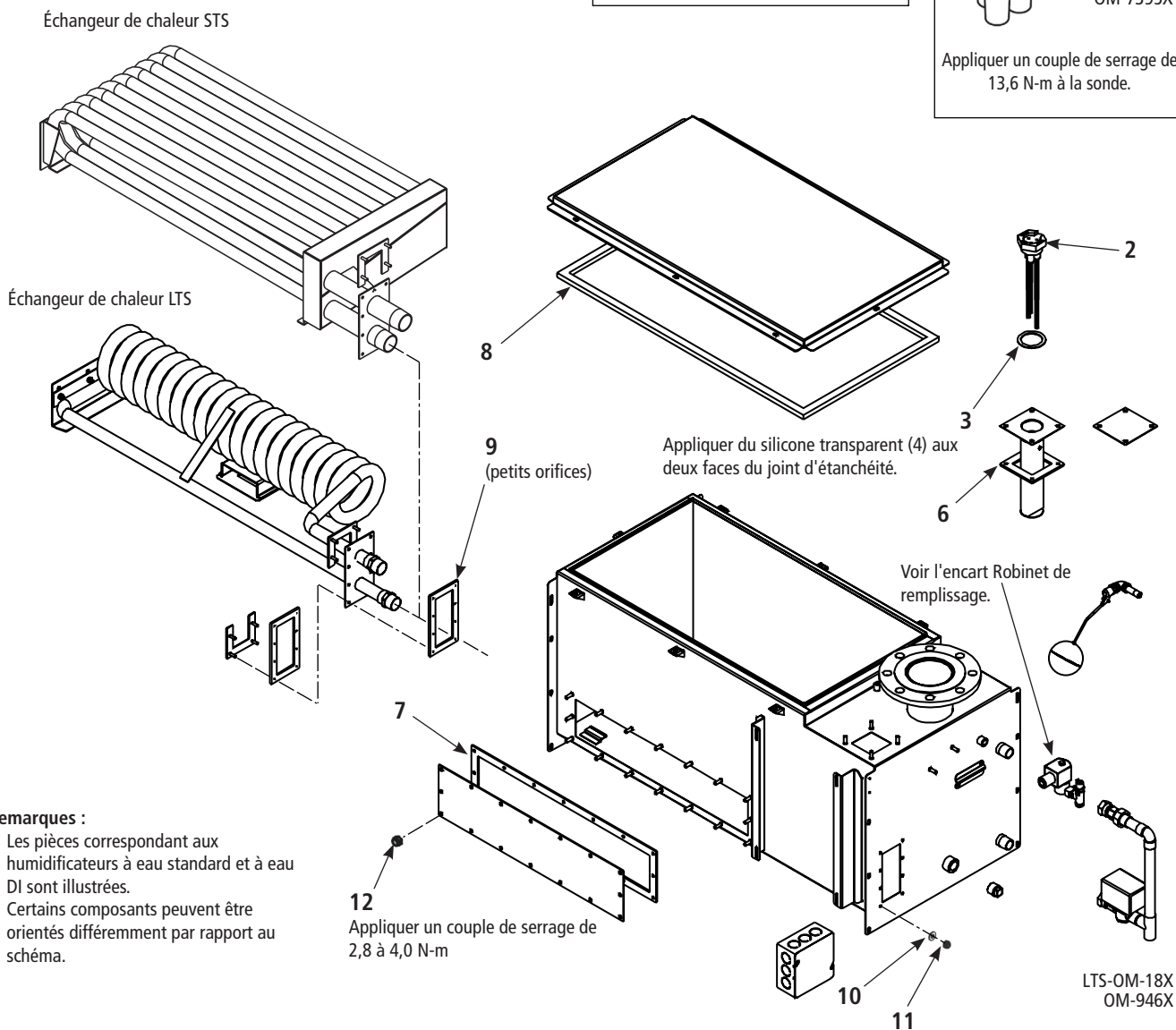
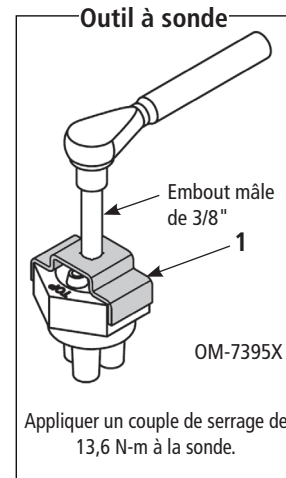
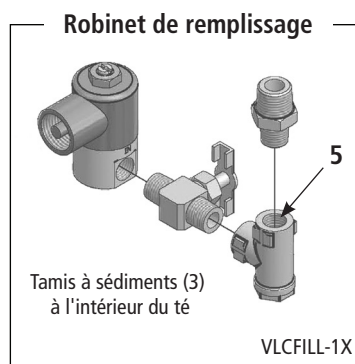
STS03 / LTS03, eau standard, 25 Nécessaire d'entretien n° 900100-601			
N°	Description de la pièce	Référence.	Qté.
1	Outil à sonde (voir l'encart Outil à sonde)	406201	1
2	Sonde	406303-008	1
3	Joint d'étanchéité de sonde	309750-004	1
4	Silicone, transparent	320000	1
5	Tamis à sédiments (voir l'encart Robinet de remplissage)	300051	1
6	Joint d'étanchéité de la plaque de sonde	308416-001	1
7	Joint d'étanchéité de la plaque de nettoyage	308015-001	1
8	Joint d'étanchéité de protection	160692-001	1
9	Joint d'étanchéité de l'échangeur de chaleur, avant	308220	2
10	Rondelle, plate 10-32	700300-008	8
11	Écrou, 10/-32 avec bague de nylon	700252-003	8
12	Écrou, 14/-20 avec bague de nylon	700300-016	16
STS03, eau standard, 50 Nécessaire d'entretien n° 900100-602			
N°	Description de la pièce	Référence.	Qté.
1	Outil à sonde (voir l'encart Outil à sonde)	406201	1
2	Sonde	406303-008	1
3	Joint d'étanchéité de sonde	309750-004	1
4	Silicone, transparent	320000	1
5	Tamis à sédiments (voir l'encart Robinet de remplissage)	300051	1
6	Joint d'étanchéité de la plaque de sonde	308416-001	1
7	Joint d'étanchéité de la plaque de nettoyage	308015-002	1
8	Joint d'étanchéité de protection	160692-002	1
9	Joint d'étanchéité de l'échangeur de chaleur, avant	308220	2
10	Rondelle, plate 10-32	700300-008	8
11	Écrou, 10/-32 avec bague de nylon	700252-003	8
12	Écrou, 14/-20 avec bague de nylon	700300-016	16
STS03 / LTS03, eau standard, 100 Nécessaire d'entretien n° 900100-603			
N°	Description de la pièce	Référence.	Qté.
1	Outil à sonde (voir l'encart Outil à sonde)	406201	1
2	Sonde	406303-008	1
3	Joint d'étanchéité de sonde	309750-004	1
4	Silicone, transparent	320000	1
5	Tamis à sédiments (voir l'encart Robinet de remplissage)	300051	1
6	Joint d'étanchéité de la plaque de sonde	308416-001	1
7	Joint d'étanchéité de la plaque de nettoyage	308015-002	1
8	Joint d'étanchéité de protection	160692-003	1
9	Joint d'étanchéité de l'échangeur de chaleur, avant	308220	2
10	Rondelle, plate 10-32	700300-008	8
11	Écrou, 10/-32 avec bague de nylon	700252-003	8
12	Écrou, 14/-20 avec bague de nylon	700300-016	16

STS03, eau standard, 200/400 Nécessaire d'entretien n° 900100-604			
N°	Description de la pièce	Référence.	Qté.
1	Outil à sonde (voir l'encart Outil à sonde)	406201	1
2	Sonde	406303-008	1
3	Joint d'étanchéité de sonde	309750-004	1
4	Silicone, transparent	320000	1
5	Tamis à sédiments (voir l'encart Robinet de remplissage)	300051	1
6	Joint d'étanchéité de la plaque de sonde	308416-001	1
7	Joint d'étanchéité de la plaque de nettoyage	308015-003	1
8	Joint d'étanchéité de protection	160692-004	1
9	Joint d'étanchéité de l'échangeur de chaleur, avant	308220	2
10	Rondelle, plate 10-32	700300-008	8
11	Écrou, 10/-32 avec bague de nylon	700252-003	8
12	Écrou, 14/-20 avec bague de nylon	700300-016	16
STS03, eau standard, 800 et LTS03, eau standard, 400 Nécessaire d'entretien n° 900100-605			
N°	Description de la pièce	Référence.	Qté.
1	Outil à sonde (voir l'encart Outil à sonde)	406201	1
2	Sonde	406303-008	1
3	Joint d'étanchéité de sonde	309750-004	1
4	Silicone, transparent	320000	1
5	Tamis à sédiments (voir l'encart Robinet de remplissage)	300051	1
6	Joint d'étanchéité de la plaque de sonde	308416-001	1
7	Joint d'étanchéité de la plaque de nettoyage	308015-003	1
8	Joint d'étanchéité de protection	160692-004	1
9	Joint d'étanchéité de l'échangeur de chaleur, avant	308220	4
10	Rondelle, plate 10-32	700300-008	16
11	Écrou, 10/-32 avec bague de nylon	700252-003	16
12	Écrou, 14/-20 avec bague de nylon	700300-016	32

STS/LTS, eau standard, pièces du nécessaire d'entretien

Le nécessaire d'entretien contient les pièces de rechange référencées dans le schéma des pièces qui permettent à votre humidificateur DRI-STEEM de continuer à fonctionner au maximum de ses performances. Ce Manuel du nécessaire d'entretien fournit des consignes de sécurité et d'entretien importantes ; il est conçu pour compléter — non remplacer — le Manuel d'installation, d'utilisation et de maintenance (IOM). **Lire l'ensemble des mises en garde et des instructions** en page 1.

Lors des interventions d'entretien et de maintenance, remplacer les pièces existantes par les pièces neuves fournies dans le nécessaire d'entretien.



Remarques :

- Les pièces correspondant aux humidificateurs à eau standard et à eau DI sont illustrées.
- Certains composants peuvent être orientés différemment par rapport au schéma.

STS/LTS, eau standard, consignes d'entretien



Refroidissement de l'humidificateur

Avant toute intervention d'entretien ou de maintenance, laisser refroidir la cuve. Certaines surfaces des cuves isolées et non isolées seront portées à température élevée.

Remarque : De l'eau d'appoint fraîche est utilisée pour accélérer le refroidissement. Ne pas fermer l'alimentation manuelle en eau avant d'avoir refroidi l'humidificateur ; autrement, la cuve pourrait rester chaude pendant plusieurs heures.

1. Fermer le robinet de sectionnement manuel de l'alimentation en vapeur de l'entrée (humidificateurs STS) ou l'alimentation en liquide chaud de l'entrée (humidificateurs LTS).

2. Vidange de la cuve :

Modèles avec robinet de vidange standard et dispositif de régulation Vapor-logic3 (pour les robinets de vidange sans levier d'ouverture manuelle, utiliser le pavé numérique pour effectuer la procédure de refroidissement. Pour plus d'informations, consulter le Manuel d'installation et d'utilisation Vapor-logic3) :

- Sélectionner Manual Drain (vidange manuelle) à l'écran Control Modes (modes de commande).
- Laisser environ la moitié de l'eau se vidanger hors de la cuve.
- Sélectionner Auto à l'écran Control Modes (modes de commande) ; le robinet de remplissage s'ouvre et l'humidificateur se refroidit.
- Quand le robinet de remplissage se ferme, sélectionner Manual Drain (vidange manuelle) à l'écran Control Modes (modes de commande) et laisser la cuve se vidanger complètement. L'humidificateur devrait avoir suffisamment refroidi pour pouvoir effectuer la tâche.

Autre méthode avec l'option de régulation électronique du niveau d'eau LW417 :

- Ouvrir manuellement le robinet de vidange en déplaçant le levier situé à l'arrière du robinet de vidange en position d'ouverture manuelle. Le robinet de remplissage s'ouvre quand l'eau descend au-dessous de la sonde du milieu.
- Laisser couler l'eau de remplissage jusqu'à ce que la cuve soit refroidie ; puis, fermer le robinet de sectionnement de l'alimentation manuelle en eau installé sur site.
- Laisser la cuve se vidanger ; puis, fermer manuellement le robinet de vidange.



Arrêt de l'humidificateur

Suivre la procédure ci-dessous avant toute intervention d'entretien ou de maintenance (une fois que la cuve a été refroidie et vidangée) :

- Si l'humidificateur est équipé d'un dispositif de régulation Vapor-logic3, utiliser le pavé numérique pour basculer le mode de commande en veille.
- Couper toute l'alimentation électrique de l'humidificateur en utilisant le sectionneur à fusible installé sur site et verrouiller tous les sectionneurs d'alimentation en position d'arrêt OFF.
- Fermer le robinet de sectionnement d'alimentation manuelle en eau installé sur site.
- Fermer le robinet de sectionnement manuel de l'alimentation en vapeur de l'entrée (sur STS) ou l'alimentation en liquide chaud de l'entrée (sur LTS).

Inspection et maintenance

Annuellement (également recommandé lors de la maintenance)

- Tous les dispositifs de sécurité du circuit de commande doivent être mis en marche, puis arrêtés, afin de vérifier leur fonctionnement. Ces dispositifs comprennent notamment :
 - Commutateur de fin de course
 - Commutateur de contrôle de débit d'air
 - Sonde de niveau d'eau bas. Tirer la fiche de la sonde ; le robinet de remplissage devrait s'activer.
- Inspecter la cuve et les joints d'étanchéité pour déceler des fuites éventuelles.

À chaque saison (ou au besoin, selon la qualité de l'eau)

- Nettoyer la cuve :
 - Déposer la plaque de nettoyage et éliminer le tartre détaché qui s'est accumulé au fond de la cuve. Ceci doit être fait avant que le tartre accumulé ne parvienne jusqu'au fond de l'échangeur de chaleur.
 - Inspecter l'intérieur de la cuve devant le raccord du robinet de vidange et éliminer soigneusement le tartre et les sels minéraux accumulés dans cette zone.
- Nettoyer les sondes :
 - Débrancher la fiche et le câble de la sonde (situés en haut de la cuve) et dévisser la tige de sonde du carter de la sonde de l'humidificateur.
 - Inspecter le carter de la sonde et le nettoyer, en s'assurant que toutes ses voies de passage sont dégagées. Pour dissocier le carter de la cuve, déposer les quatre boulons qui le relient à la cuve. Puis, faire coulisser verticalement le carter hors de la cuve.

Le tartre devrait se détacher aisément des tiges de sonde.
 - Les 10 mm du bas de chaque tige de sonde sont la partie détectrice ; nettoyer cette partie à l'aide d'une brosse métallique, d'un tampon abrasif ou de laine d'acier.

STS/LTS, eau standard, consignes d'entretien

- d. Inspecter la tige de sonde en plastique composite pour déceler toute fissure, rugosité ou détérioration. Dans ce cas, remplacer la sonde.
 - e. Remonter la sonde.
3. Nettoyer l'orifice d'écumage et de trop-plein :
- a. L'eau devrait s'écouler par le tuyau de vidange de l'écumoire après chaque cycle de remplissage. Vérifier visuellement si c'est le cas par une inspection hebdomadaire.
 - b. Détacher les dépôts à l'intérieur et autour de l'orifice de l'écumoire ou du trop-plein à l'aide d'un outil long comme un tournevis.
 - c. Si l'écoulement à travers le siphon isolateur/siphon-P est diminué à cause d'une accumulation de sels minéraux :
 - Retirer la tuyauterie du siphon isolateur de l'humidificateur et rincer.
 - Remplacer le siphon isolateur avec la nouvelle tuyauterie si les sels minéraux ont durci dans le siphon isolateur.
 - Installer un raccord à la base du siphon isolateur pour faciliter la dépose si la qualité de l'eau entraîne souvent l'engorgement du siphon isolateur par du tartre.
4. Quand les exigences de la maintenance saisonnière sont satisfaites :
- a. Serrer les écrous sur la plaque de nettoyage. Appliquer un couple de serrage de 2,8 à 4,0 N-m aux écrous.
 - b. Vérifier que le support de la tige de sonde est solide et la fiche ainsi que le câble de la sonde sont branchés sur le support de la tige de sonde.
 - c. Replacer et bien fermer l'ensemble des protections.
 - d. Vérifier que le robinet de vidange est en position fermée.
 - e. Ouvrir l'alimentation en eau.
 - f. Allumer l'alimentation électrique.
 - g. Ne pas laisser l'humidificateur sans surveillance. Faire plusieurs cycles de remplissage de l'humidificateur et s'assurer que la protection de l'humidificateur, la plaque de nettoyage et le joint d'étanchéité du support de la sonde ne présentent pas de fuite.

Maintenance de fin de saison

Effectuer une inspection et un nettoyage complets des éléments suivants :

- Échangeur de chaleur
- Tiges de la sonde
- Orifice de l'écumoire et siphon isolateur
- Cuve de l'humidificateur

Après le nettoyage, l'humidificateur doit demeurer vide jusqu'à ce qu'il y ait un besoin d'humidification.

Démarrage

Effectuer les contrôles de sécurité **Annuels** prévus à la section *Inspection et maintenance* en page 4.

En cas de reprise du fonctionnement après un entretien, ne pas laisser l'humidificateur sans surveillance ; le laisser accomplir plusieurs cycles de remplissage afin de vérifier que toutes les pièces entretenues fonctionnent correctement. Voir les détails du démarrage dans le Manuel d'installation, d'utilisation et de maintenance de l'humidificateur.

DRI-STEEM Corporation

ISO 9001 : 2000 société certifiée

Bureau européen :

Marc Briers

Grote Hellekensstraat 54 b

B-3520 Zonhoven

Belgique

+3211823595 (téléphone)

+3211817948 (télécopie)

E-mail : marc.briers@dristeem.com

Siège social aux États-Unis :

14949 Technology Drive

Eden Prairie, MN 55344

800-328-4447 ou 952-949-2415

952-229-3200 (télécopie)

DRI-STEEM Corporation poursuit une politique d'amélioration continue de ses produits. Par conséquent, les caractéristiques et les spécifications des produits peuvent changer sans préavis.

DRI-STEEM, LTS, STS et Vapor-logic sont des marques déposées de DRI-STEEM Corporation et ont fait l'objet d'une demande de dépôt de marque au Canada et dans la Communauté Européenne.

Drane-kooler est une marque déposée de DRI-STEEM Corporation.

© 2013 DRI-STEEM Corporation

Formulaire n° STS/LTS-standard-SKM-F-1013

Référence. 891000-501 Rev D

Les produits DRI-STEEM sont garantis selon les modalités de la garantie limitée de deux ans standard prenant effet à la date d'achat de l'humidificateur. Voir la documentation fournie avec l'humidificateur pour plus d'informations sur la garantie.



VORSICHT

Weist auf einen Betriebszustand hin, der zu schweren Verletzungen oder Tod führen kann, falls die Anweisungen mißachtet werden.



ACHTUNG

Weist auf einen Betriebszustand hin, der zu Sachschäden führen kann, falls die Anweisungen mißachtet werden.



VORSICHT



Alle Warnhinweise und Arbeitsanweisungen lesen

Diese Seite enthält wichtige Sicherheitshinweise; sie ist als Zusatz zu verstehen und NICHT als Ersatz für die Installations- und Bedienungsanleitung. Daher zuerst die Installations- und Bedienungsanleitung des Befeuchters lesen, welche mit dem Befeuchter geliefert wurde, bevor jegliche Wartungsarbeiten am System durchgeführt werden. Nichteinhaltung dieser Warnhinweise kann zu den hier und in der Befeuchter-Bedienungsanleitung beschriebenen gefährlichen Betriebszuständen führen, welche Sachschäden, Verletzungen oder Tod zur Folge haben können.

Fehlt die Befeuchter-Bedienungsanleitung, diese **von www.dristeem.com herunterladen**.



Heiße Oberflächen und heißes Wasser

Dampf-Befeuchtungssysteme weisen sehr heiße Oberflächen auf und das Wasser in den Tanks, Elektrozyllindern, Dampfrohren und Verteilmodulen kann bis zu 100 °C heiß sein. Daher das gesamte Befeuchtersystem zuerst abkühlen um Verbrühungen zu vermeiden.

Das Abkühlverfahren in der Befeuchter-Bedienungsanleitung befolgen, bevor jegliche Wartungsarbeiten an Teilen des Systems erfolgen.



Gefahr durch Stromschlag

Falls der Befeuchter während der Wartung einschaltet kann dies zu schweren Verletzungen oder Tod durch Stromschlag führen. Um ein automatisches Einschalten zu verhindern, die nachfolgenden Anweisungen beachten, bevor jegliche Wartungsarbeiten an diesem Befeuchter erfolgen (nachdem der Tank abgekühlt und entwässert wurde):

1. Mit Hilfe des Vapor-logic[®]3 Steuergeräts in den Steuermodus Standby schalten.
2. Die Stromversorgung am bauseitigen gesicherten Hauptschalter abschalten und alle Schalter in Position AUS sperren.
3. Das bauseitige manuelle Wasserzufuhrventil schließen.
4. Das manuelle Absperrventil der Dampfzufuhr (am STS) oder der Fluidzufuhr (am LTS) schließen.



ACHTUNG

Schäden aufgrund heißem Abwasser

Abwasser kann bis zu 100 °C heiß sein und die Ablaufverrohrung beschädigen.

Ist der Befeuchter mit einem Abwasserkühlgerät wie z.B. dem DRI-STEEM Drane-kooler[™] ausgerüstet muss ein Kaltwasseranschluss vorhanden sein, damit das Gerät ordnungsgemäß funktioniert. Daher sicherstellen, die Wasserzufuhr zum Drane-kooler-Kühlgerät ist während des Abkühlvorgangs geöffnet.

Weist der Befeuchter kein Abwasserkühlgerät auf, den Tank zuerst abkühlen lassen, bevor das Ablaufventil geöffnet wird.

STS/LTS, Normalwasser, Wartungssatz-Teile

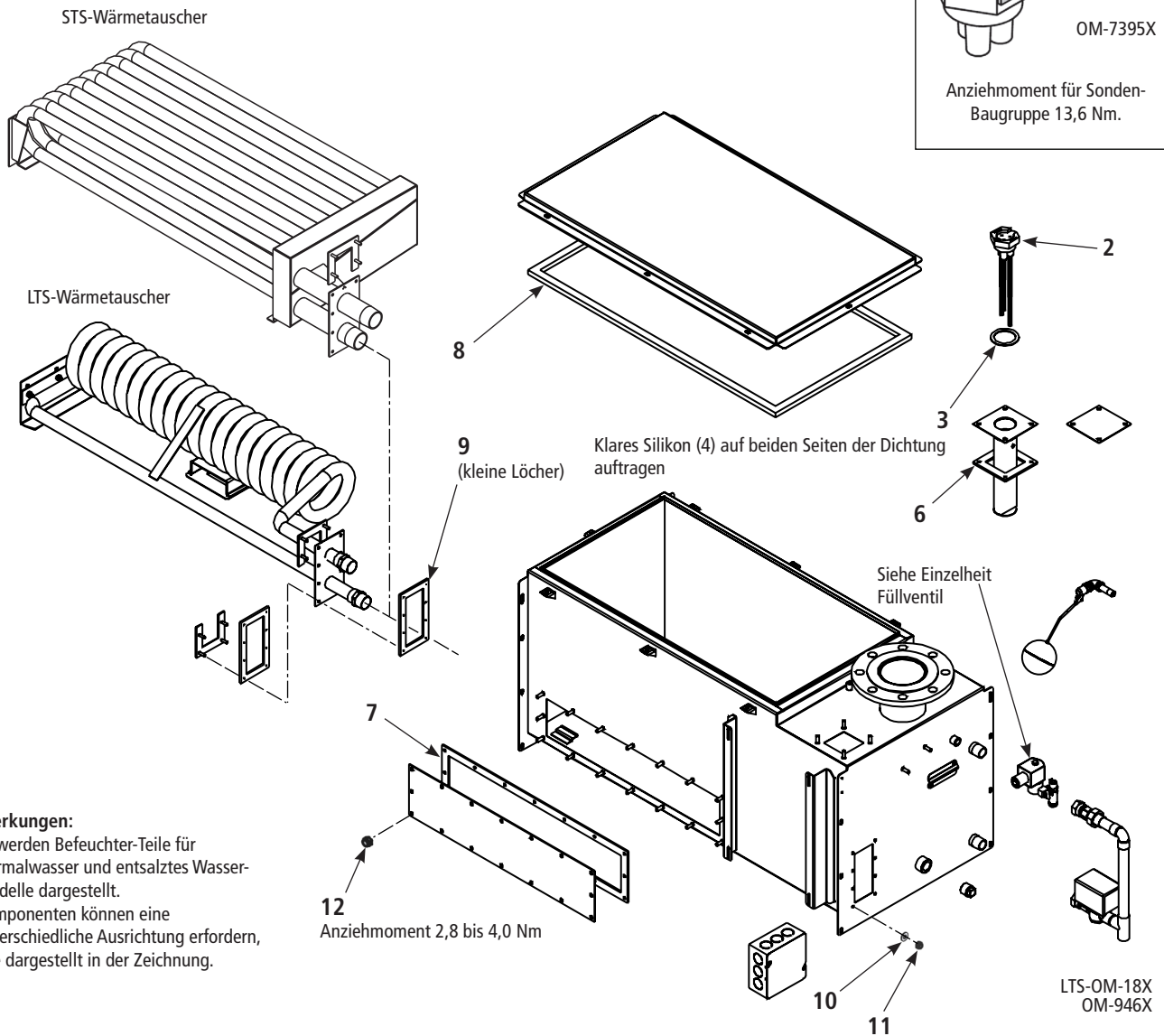
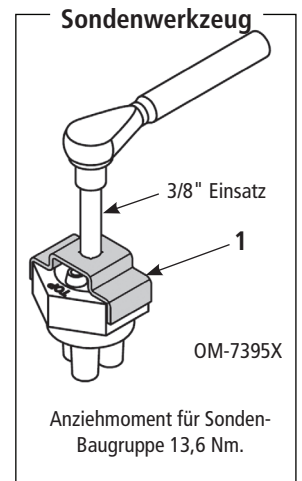
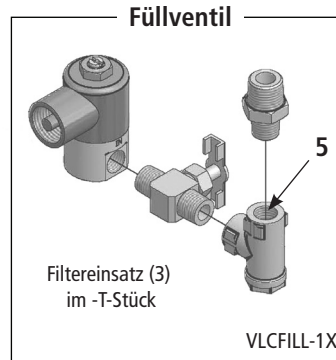
STS03 / LTS03, Normalwasser, 25 Wartungssatz-Nr. 900100-601			
Nr.	Benennung	Teile-Nr.	Menge
1	Sondenwerkzeug (siehe Einzelheit Sondenwerkzeug)	406201	1
2	Sondenbaugruppe	406303-008	1
3	Dichtung Sonde	309750-004	1
4	Silikon, klar	320000	1
5	Filtereinsatz (siehe Einzelheit Füllventil)	300051	1
6	Dichtung Abdeckung Sonde	308416-001	1
7	Dichtung Abdeckung Reinigungsöffnung	308015-001	1
8	Dichtung Abdeckung	160692-001	1
9	Dichtung Wärmetauscher, vorne	308220	2
10	Scheibe, flach 10-32	700300-008	8
11	Mutter, 10-32, mit Nyloneinsatz	700252-003	8
12	Mutter, 14-20, mit Nyloneinsatz	700300-016	16
STS03, Normalwasser, 50 Wartungssatz-Nr. 900100-602			
Nr.	Benennung	Teile-Nr.	Menge
1	Sondenwerkzeug (siehe Einzelheit Sondenwerkzeug)	406201	1
2	Sondenbaugruppe	406303-008	1
3	Dichtung Sonde	309750-004	1
4	Silikon, klar	320000	1
5	Filtereinsatz (siehe Einzelheit Füllventil)	300051	1
6	Dichtung Abdeckung Sonde	308416-001	1
7	Dichtung Abdeckung Reinigungsöffnung	308015-002	1
8	Dichtung Abdeckung	160692-002	1
9	Dichtung Wärmetauscher, vorne	308220	2
10	Scheibe, flach 10-32	700300-008	8
11	Mutter, 10-32, mit Nyloneinsatz	700252-003	8
12	Mutter, 14-20, mit Nyloneinsatz	700300-016	16
STS03 / LTS03, Normalwasser, 100 Wartungssatz-Nr. 900100-603			
Nr.	Benennung	Teile-Nr.	Menge
1	Sondenwerkzeug (siehe Einzelheit Sondenwerkzeug)	406201	1
2	Sondenbaugruppe	406303-008	1
3	Dichtung Sonde	309750-004	1
4	Silikon, klar	320000	1
5	Filtereinsatz (siehe Einzelheit Füllventil)	300051	1
6	Dichtung Abdeckung Sonde	308416-001	1
7	Dichtung Abdeckung Reinigungsöffnung	308015-002	1
8	Dichtung Abdeckung	160692-003	1
9	Dichtung Wärmetauscher, vorne	308220	2
10	Scheibe, flach 10-32	700300-008	8
11	Mutter, 10-32, mit Nyloneinsatz	700252-003	8
12	Mutter, 14-20, mit Nyloneinsatz	700300-016	16

STS03, Normalwasser, 200/400 Wartungssatz-Nr. 900100-604			
Nr.	Benennung	Teile-Nr.	Menge
1	Sondenwerkzeug (siehe Einzelheit Sondenwerkzeug)	406201	1
2	Sondenbaugruppe	406303-008	1
3	Dichtung Sonde	309750-004	1
4	Silikon, klar	320000	1
5	Filtereinsatz (siehe Einzelheit Füllventil)	300051	1
6	Dichtung Abdeckung Sonde	308416-001	1
7	Dichtung Abdeckung Reinigungsöffnung	308015-003	1
8	Dichtung Abdeckung	160692-004	1
9	Dichtung Wärmetauscher, vorne	308220	2
10	Scheibe, flach 10-32	700300-008	8
11	Mutter, 10-32, mit Nyloneinsatz	700252-003	8
12	Mutter, 14-20, mit Nyloneinsatz	700300-016	16
STS03, Normalwasser, 800 und LTS03, Normalwasser, 400 Wartungssatz-Nr. 900100-605			
Nr.	Benennung	Teile-Nr.	Menge
1	Sondenwerkzeug (siehe Einzelheit Sondenwerkzeug)	406201	1
2	Sondenbaugruppe	406303-008	1
3	Dichtung Sonde	309750-004	1
4	Silikon, klar	320000	1
5	Filtereinsatz (siehe Einzelheit Füllventil)	300051	1
6	Dichtung Abdeckung Sonde	308416-001	1
7	Dichtung Abdeckung Reinigungsöffnung	308015-003	1
8	Dichtung Abdeckung	160692-004	1
9	Dichtung Wärmetauscher, vorne	308220	4
10	Scheibe, flach 10-32	700300-008	16
11	Mutter, 10-32, mit Nyloneinsatz	700252-003	16
12	Mutter, 14-20, mit Nyloneinsatz	700300-016	32

STS/LTS, Normalwasser, Wartungssatz-Teile

Dieser Wartungssatz enthält Ersatzteile gemäß den Angaben der Teilezeichnung für einen optimalen Betrieb Ihres DRI-STEEM Befeuchters. Die vorliegende Anleitung enthält wichtige Sicherheits- und Wartungsanweisungen und ist kein Ersatz für die mit dem Befeuchter gelieferte Installations- und Bedienungsanleitung. Bitte lesen Sie **alle Warnhinweise und Arbeitsanweisungen** auf Seite 1.

Bei der Durchführung von Wartungsarbeiten die alten Teile mit den neuen Teilen aus diesem Wartungssatz ersetzen.



Anmerkungen:

- Es werden Befeuchter-Teile für Normalwasser und entsalztes Wasser-Modelle dargestellt.
- Komponenten können eine unterschiedliche Ausrichtung erfordern, wie dargestellt in der Zeichnung.

STS/LTS, Normalwasser, Wartungsanweisungen



Befeuchter abkühlen

Bevor jeglichen Wartungsarbeiten zuerst den Tank abkühlen lassen. Wärmedämmte und nicht gedämmte Tanks weisen heiße Oberflächen auf.

Anmerkung: Zur Abkühlung ist frisches Zusatzwasser erforderlich. Daher den Wasserzulauf erst sperren nachdem der Befeuchter abgekühlt wurde. Andernfalls bleibt der Tank noch für mehrere Stunden heiß.

1. Das manuelle Absperrventil der Dampfzufuhr (STS-Befeuchter) bzw. der Fluidzufuhr (LTS-Befeuchter) schließen.

2. Den Tank entwässern:

Modelle mit Standard-Ablaufventil und Vapor-logic3 Steuergerät (weist das Ablaufventil keinen manuellen Öffnungshebel auf, den Abkühlprozess mit Hilfe des Steuergeräts durchführen. Siehe *Vapor-logic3 Installations- und Bedienungsanleitung* für weitere Informationen):

- Am Steuergerät Steuermodus und Manuell Ablassen wählen.
- Warten bis der Tank ungefähr zur Hälfte leer ist.
- Dann am Steuergerät Steuermodus Auto wählen. Nun öffnet das Füllventil und der Befeuchter kühlt ab.
- Wenn das Füllventil schließt im Steuermodus wieder Manuell Ablassen wählen und den Tank komplett entwässern. Der Befeuchter sollte nun ausreichend abgekühlt sein um daran zu arbeiten.

Alternative Methode mit LW417 elektronischer Wasserstandsregelung:

- Am Ablaufventil den Ventilhebel, der sich auf der Rückseite des Ventils befindet, von Hand in die Position 'Manuell öffnen' schieben. Das Füllventil öffnet nachdem der Wasserstand unter die mittlere Sonde fällt.
- Die Wasserzulaufleitung offen lassen, bis sich der Tank ausreichend abgekühlt hat. Dann das bauseitig installierte manuelle Absperrventil in der Zulaufleitung schließen.
- Den Tank entwässern lassen und danach das Ablaufventil von Hand schließen.



Befeuchter abschalten

Die nachfolgenden Anweisungen beachten bevor jegliche Wartungsarbeiten ausgeführt werden (Nachdem der Tank abgekühlt hat und entwässert ist):

1. Ist der Befeuchter mit einer Vapor-logic3 Steuerung ausgerüstet, mit Hilfe des Steuergeräts den Befeuchter in Modus Standby schalten.

- Die komplette Stromzufuhr zum Befeuchter mit Hilfe des bauseitigen Sicherungs-Trennschalter sperren und alle Stromtrennschalter in Position AUS sperren.
- Das bauseitig installierte manuelle Absperrventil in der Wasser-Zulaufleitung schließen.
- Das manuelle Absperrventil der Dampfzufuhr (STS-Befeuchter) bzw. der Fluidzufuhr (LTS-Befeuchter) schließen.

Inspektion und Wartung

Jährlich (sowie nach Wartungsarbeiten)

1. Alle Sicherheitsgeräte im Steuerkreis sollten Ein/Aus getaktet werden um deren ordnungsgemäße Funktion zu prüfen. Diese umfassen:

- Maximal-Grenzwertschalter
- Luftströmungsschalter
- Wassermangel-Pegelsonde. Dazu den Stecker an der Sonde abziehen; Das Füllventil sollte nun schalten.

2. Tank und Dichtungen auf Undichtheiten überprüfen.

Saisonal (oder wie erforderlich, abhängig von der Wasserqualität)

1. Den Tank reinigen:

- Die Abdeckung der Reinigungsöffnung abnehmen und jeglichen Kesselstein entfernen der sich am Tankboden abgelagert hat. Die Reinigung sollte jeweils erfolgen, bevor der abgelagerte Kesselstein die Unterseite des Wärmetauscher berührt.
- Den Tank auf der Innenseite inspizieren speziell im Bereich des Ablaufventilanschlusses und diesen Bereich gründlich von allen Ablagerungen befreien.

2. Die Wassersonden reinigen:

- Die Sondenstecker- und Kabel-Baugruppe abziehen (befindet sich auf der Oberseite des Tanks) und die Sondenstab-Baugruppe aus dem SONDENGEHÄUSE herausrauben.
- Das SONDENGEHÄUSE inspizieren und reinigen, dabei darauf achten, dass alle Durchgänge frei sind. Das Gehäuse durch lösen der vier Schrauben vom Tank abnehmen. Dann das Gehäuse vertikal aus dem Tank herausziehen.

Der Kesselstein sollte sich leicht von den Sondenstäben lösen.

- Die unteren 10 mm jeden Stabs sind der Sensorteil; diesen Bereich jeweils mit einer Stahlbürste, Scheuerpad oder Stahlwolle reinigen.
- Den Verbundkunststoffteil der Sondenstäbe auf Risse, raue Oberflächen oder Verwitterung prüfen und wenn vorhanden, Sondenbaugruppe ersetzen.
- Die Sonden-Baugruppe wieder montieren.

STS/LTS, Normalwasser, Wartungsanweisungen

3. Den Skimmer-/Überlaufanschluss reinigen:
 - a. Wasser sollte nach jedem Fülltakt über das Skimmerablaufrohr auslaufen. Diesen Ablaufvorgang einmal wöchentlich einer Sichtprüfung unterziehen.
 - b. Ablagerungen in und um den Skimmer-/Überlaufanschluss mit einem langen Schraubendreher oder ähnlichem Werkzeug entfernen.
 - c. Ist der Durchfluss durch den Geruchsverschluss/P-Siphon aufgrund von Ablagerungen behindert, folgendes durchführen:
 - Die Geruchsverschluss-Verrohrung vom Befeuchter lösen und durchspülen.
 - Sollten die Ablagerungen im Geruchsverschluss bereits verhärtet sein, die Verrohrung erneuern.
 - Am unteren Ende des Geruchsverschluss eine Verschraubung einbauen, wenn aufgrund der Wasserqualität eine häufige Reinigung/Erneuerung erforderlich ist.
4. Nach erfolgter saisonaler Wartung:
 - a. Die Muttern der Reinigungsöffnung-Abdeckung mit einem Anziehmoment von 2,8 bis 4,0 Nm festziehen.
 - b. Sicherstellen, die Sondenhalterung sitzt fest und die Sondenstecker- und Kabel-Baugruppe ist an der Sondenhalterung eingesteckt.
 - c. Alle abgenommenen Abdeckungen wieder montieren.
 - d. Sicherstellen, die Ablaufventil-Baugruppe ist in Position "Geschlossen".
 - e. Die Wasserzufuhr öffnen.
 - f. Die Stromzufuhr einschalten.
 - g. Nach erfolgter Wartung muss der Befeuchter über mehrere Fülltakte überwacht werden, um sicherzustellen, alle gewarteten Teile funktionieren ordnungsgemäß und die Abdeckungen und Sondenhalterung weisen keine Undichtigkeiten auf.

Wartung außerhalb der Saison

Eine komplette Inspektion und Reinigung folgender Teile durchführen:

- Wärmetauscher
- Sondenstäbe
- Skimmeranschluss und Wasserdichtung
- Befeuchtertank

Nach erfolgter Reinigung sollte der Befeuchter leer bleiben, bis eine Befeuchtung erforderlich wird.

Inbetriebnahme

Zuerst die **jährlichen** Sicherheitsprüfungen in Abschnitt *Inspektion und Wartung* auf Seite 4 durchführen.

Nach erfolgter Wartung muss der Befeuchter über mehrere Fülltakte überwacht werden, um sicherzustellen, alle gewarteten Teile funktionieren ordnungsgemäß. Siehe auch Abschnitt Inbetriebnahme in der Befeuchter-Installations- und Bedienungsanleitung.

DRI-STEEM Corporation

Zertifiziert gemäß ISO 9001: 2000

Europäischer Niederlassung:

Marc Briers

Grote Hellekensstraat 54 b

B-3520 Zonhoven

Belgien

+3211823595 (Tel)

+3211817948 (Fax)

E-mail: marc.briers@dristeem.com

US-Hauptsitz:

14949 Technology Drive

Eden Prairie, MN 55344

+1 800-328-4447 oder +1 952-949-2415

+1 952-229-3200 (Fax)

DRI-STEEM Corporation praktiziert eine fortwährende Produktentwicklung; deshalb behalten wir uns Produktänderungen ohne Vorankündigung vor.

DRI-STEEM, LTS, STS, und Vaporstream sind eingetragene Warenzeichen von DRI-STEEM Corporation und als eingetragene Warenzeichen in Kanada und der EU beantragt.

Drane-kooler ist ein Warenzeichen von DRI-STEEM Corporation.

© 2013 DRI-STEEM Corporation

Form-Nr. STS/LTS-standard-SKM-G-1013
Teile-Nr. 891000-501 Rev D

DRI-STEEM Produkte sind garantiert für einen Zeitraum von zwei Jahren ab dem Kaufdatum entsprechend den Konditionen der zweijährigen begrenzten Gewährleistung. Siehe mit dem Befeuchter gelieferte Literatur für Einzelheiten zur Gewährleistung.