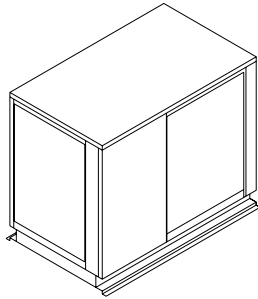


Outdoor enclosure mounting options

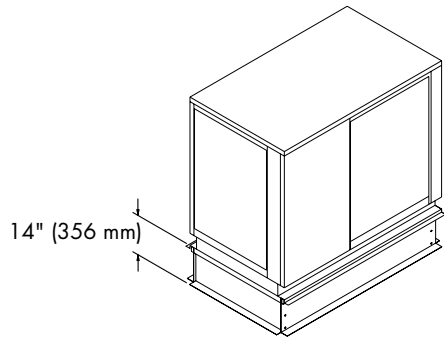
Figure 1-1:
Outdoor enclosure mounting options

Flush



DC-1110

Curb



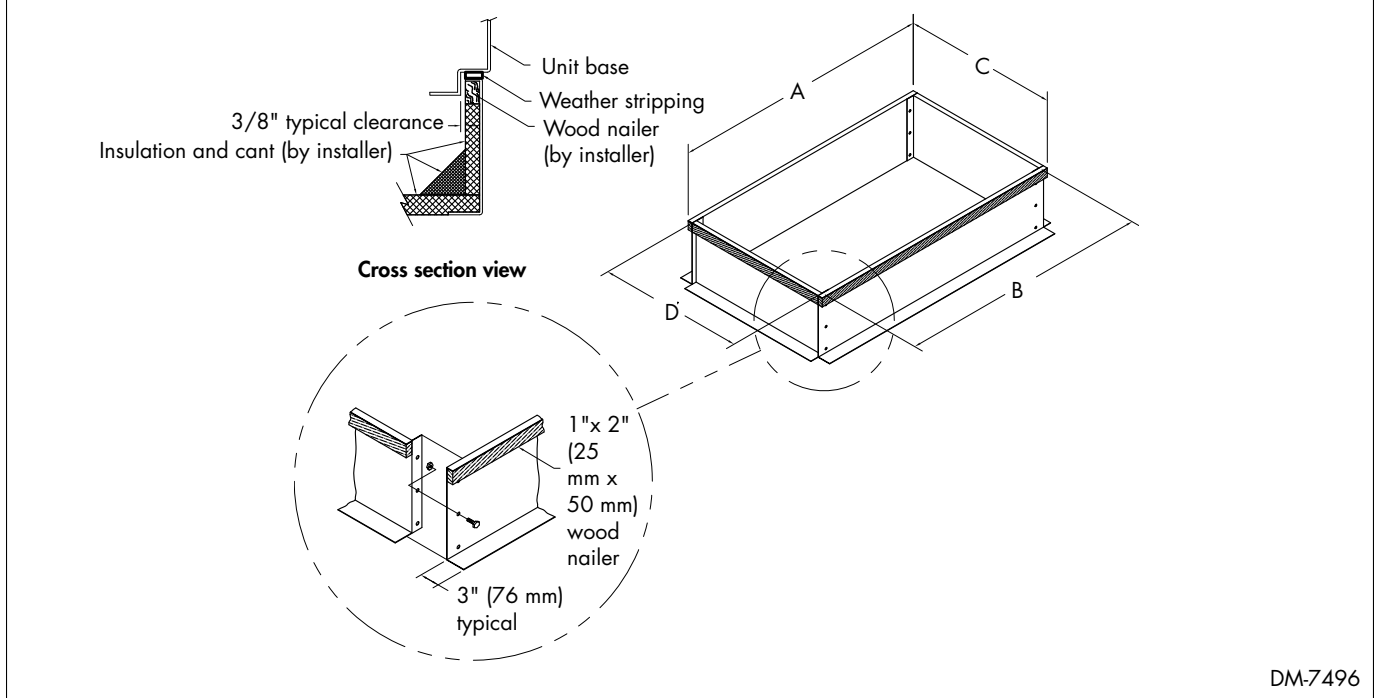
OM-1095

Operating temperatures

DriSteem humidifiers housed in outdoor enclosures operate properly when outdoor temperatures range from -40 to 120 °F (-40 to 50 °C).

Outdoor enclosure curb details and dimensions

Figure 2-1:
Outdoor enclosure curb details and dimensions



DM-7496

Table 2-1:
Outdoor enclosure curb dimensions

Outdoor enclosure model	A		B		C		D	
	inches	mm	inches	mm	inches	mm	inches	mm
STS 25-100	59	1499	57	1448	35	889	33	838
STS 200-800	77	1956	75	1905	45	1143	43	1092
VAPORSTREAM with 1-6 heaters	59	1499	57	1448	39	991	37	940
VAPORSTREAM with 9-12 heaters	63	1600	61	1549	53	1346	51	1295