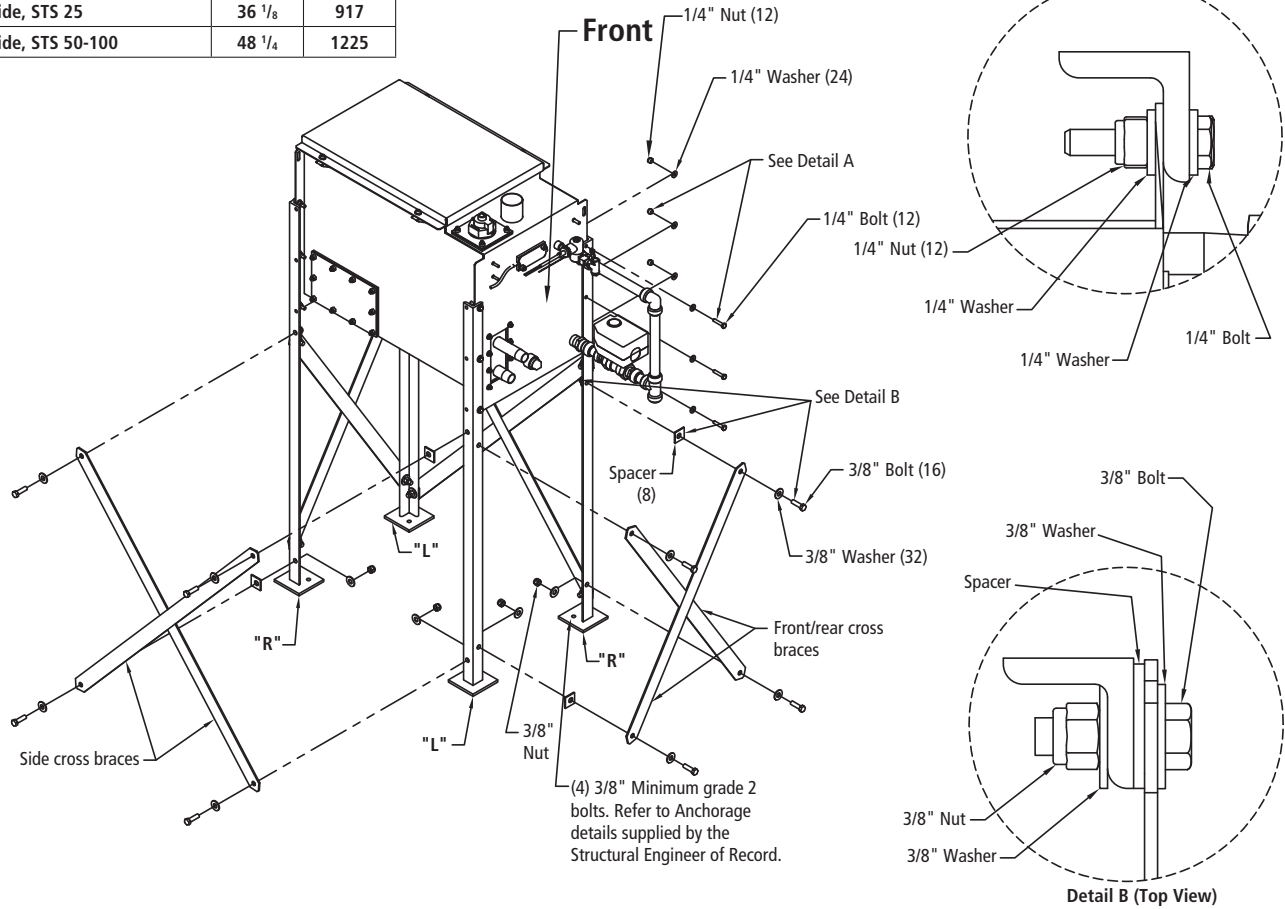


Seismic STS 25-100 Floor Mount

Figure 1-1:
STS-25 through STS-100 floor mount seismic certification option installation

Crossbrace	Length	
	in	mm
Front/Rear, STS 25-50	28 ⁵ / ₈	727
Front/Rear, STS 100	31 ¹ / ₄	793
Side, STS 25	36 ¹ / ₈	917
Side, STS 50-100	48 ¹ / ₄	1225



- Notes:**
1. The height from floor to bottom of tank is 32 ¹/₈ in (815 mm).
 2. All hardware shown supplied by DRI-STEEM.

DM-11911