

TWO SCHNEIDER MS51-7XXX SERIES VALVES W/2-10 VDC OR 4-20 MA BY OTHERS

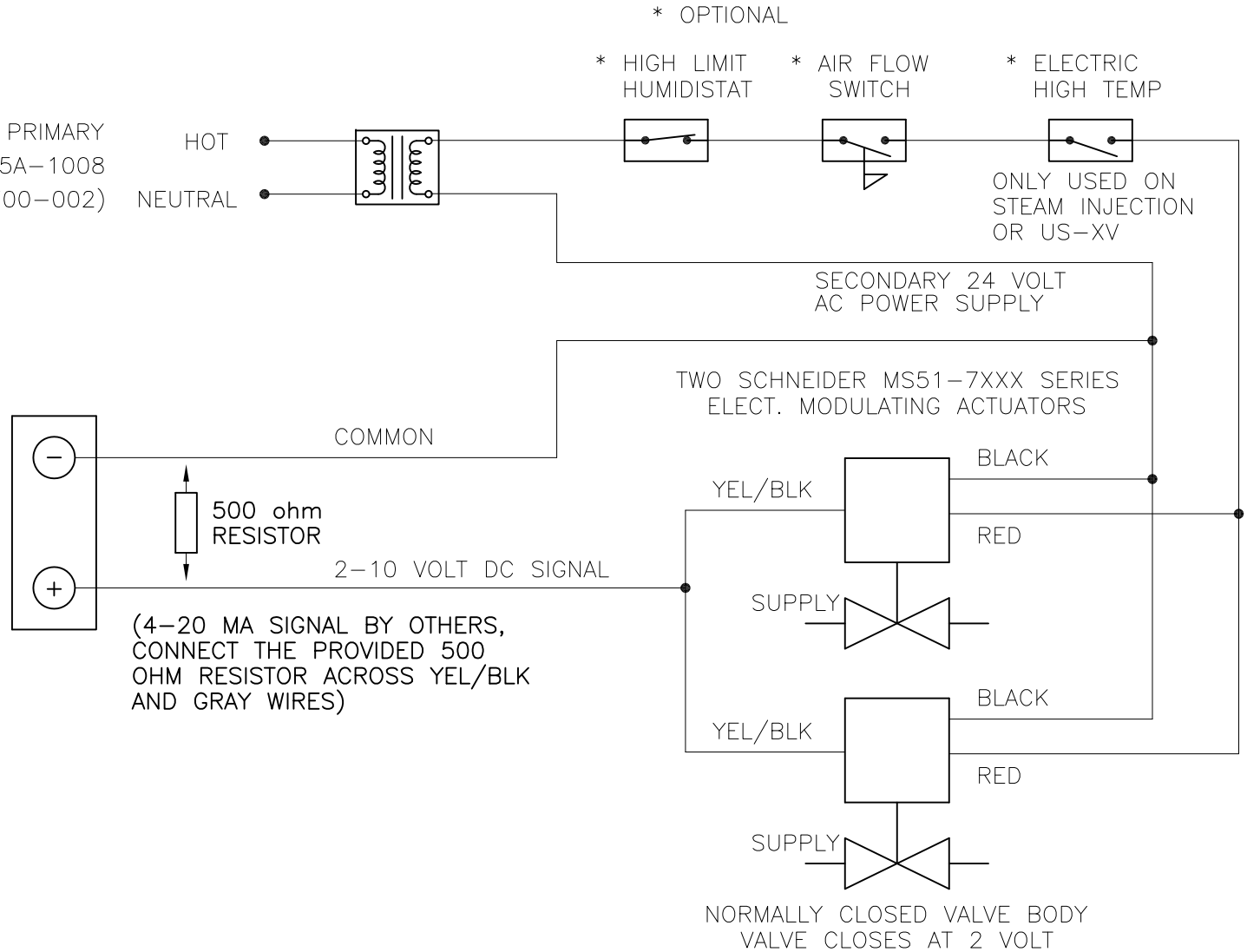
230 VOLT TRANSFORMER

DATE	REV	RECORD	DR
2/11	A	E.C.# 5299	JK
3/13	B	E.C.# 6039	JK

CONFIDENTIAL

120/208/240 VOLT AC PRIMARY
CLASS 2 TRANSFORMER TYPE AT175A-1008
75 VA (BY DRI-STEEM, #408700-002)

2-10 VDC CONTROL
SIGNAL BY OTHERS



		TWO SCHNEIDER MS51-7XXX SERIES VALVES W/2-10 VDC OR 4-20 MA BY OTHERS	
		MAT'L:	P/N
SCALE:	DRAWN BY: KROG		VLV-100
DATE: 2/14/11			