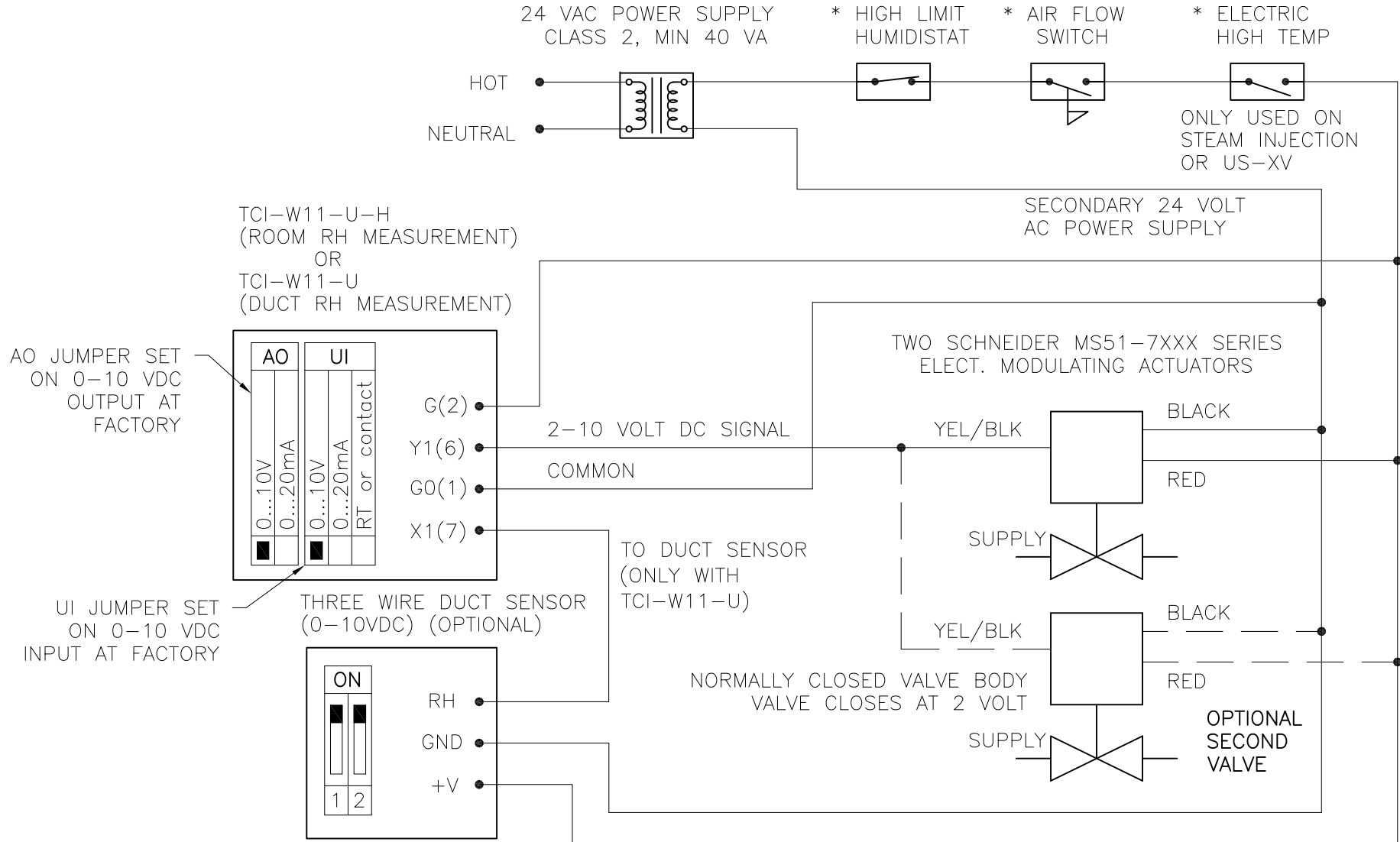


# SCHNEIDER MS51-7XXX SERIES VALVE(S) W/TCI-W11-U-(H) HUMIDISTAT

DATE	REV	RECORD	DR
9/22	A	E.C.# 7110	JK
2/24	B	E.C.# 7229	JK

CONFIDENTIAL

\* OPTIONAL



SCHNEIDER MS51-7XXX SERIES VALVE(S) W/TCI-W11-U-(H) HUMIDISTAT		
MAT'L:		
SCALE:	P/N	
DRAWN BY: JK	VLV-190	
DATE: 9/12/22		

