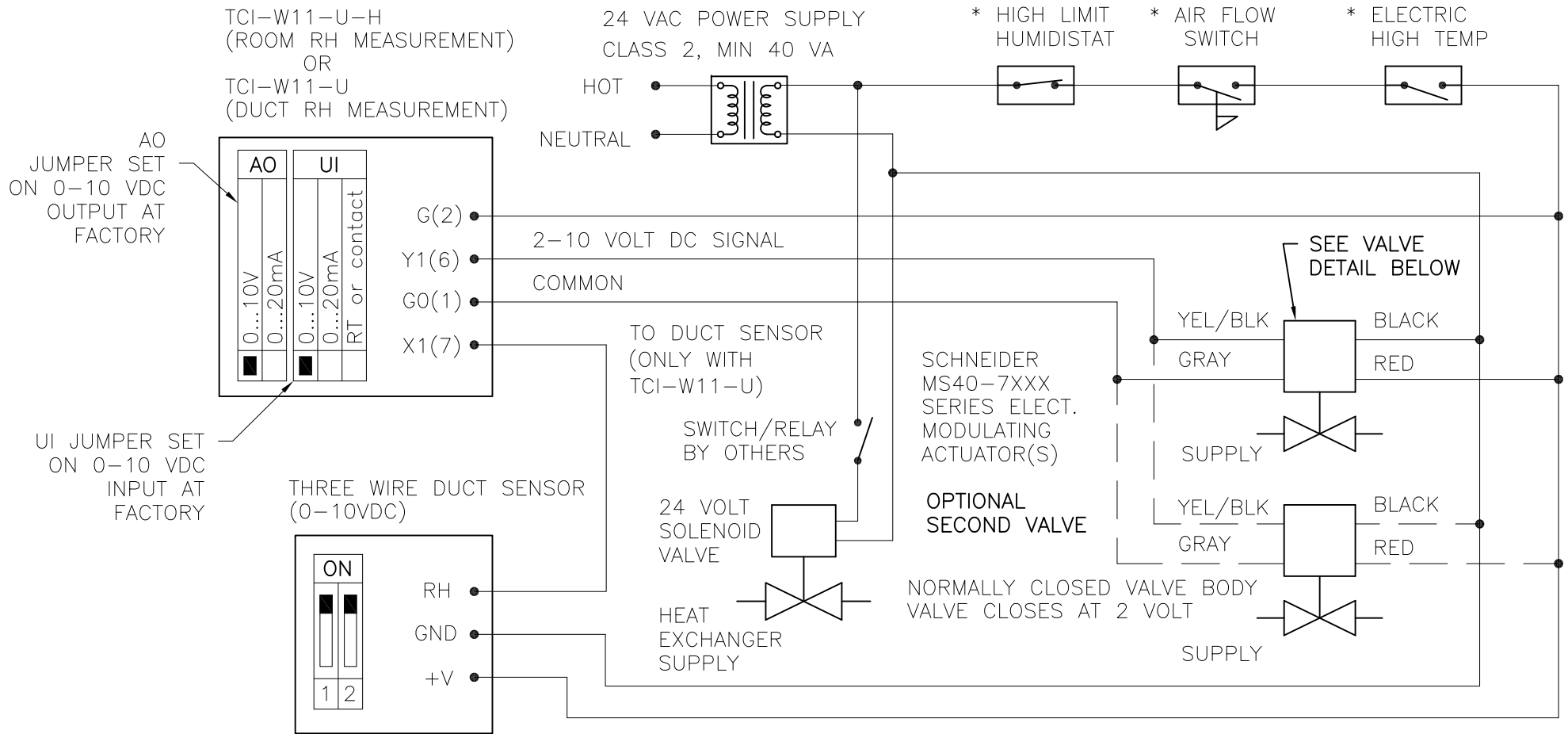


XV SOLENOID VALVE ONLY, SCHNEIDER MS40-7XXX SERIES VALVE W/TCI-W11-U-(H) HUMIDISTAT

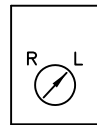
| DATE | REV | RECORD | DR |
|-------|-----|------------|----|
| 11/20 | A | E.C.# 6933 | JK |
| 9/22 | B | E.C.# 7110 | JK |
| 2/24 | C | E.C.# 7229 | JK |

CONFIDENTIAL

* OPTIONAL



(REVERSE ACTING)
"R" POSITION: VALVE
OPENS WITH DECREASING
DEMAND SIGNAL



(DIRECT ACTING)
"L" POSITION: VALVE
OPENS WITH INCREASING
DEMAND SIGNAL

VALVE DETAIL

| | | | |
|-----------|---------|---|---------|
| | | XV SOLENOID VALVE ONLY, SCHNEIDER MS40-7XXX SERIES W/TCI-W11-U-(H) HUMIDISTAT | |
| | | MAT L: | |
| SCALE: | | P/N | VLV-203 |
| DRAWN BY: | JK | | |
| DATE: | 11/4/20 | | |