

# SCHNEIDER MS40-7000 SERIES VALVE W/TCI-W11-U-(H) HUMIDISTAT

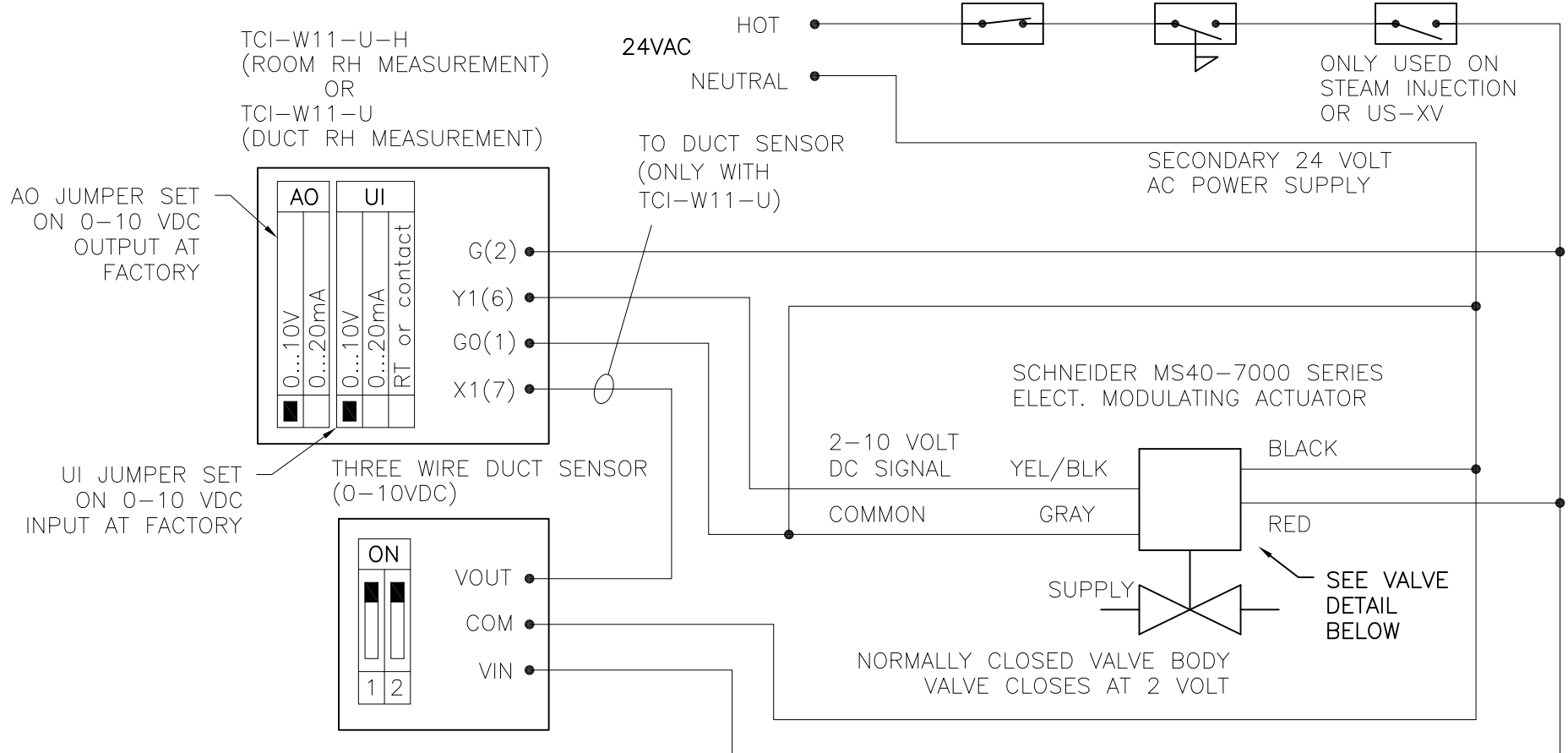
NO TRANSFORMER

DATE	REV	RECORD	DR
11/20	A	E.C.# 6933	JK
9/22	B	E.C.# 7110	JK

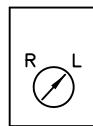
CONFIDENTIAL

\* OPTIONAL

\* HIGH LIMIT HUMIDISTAT      \* AIR FLOW SWITCH      \* ELECTRIC HIGH TEMP



(REVERSE ACTING)  
"R" POSITION: VALVE  
OPENS WITH DECREASING  
DEMAND SIGNAL



(DIRECT ACTING)  
"L" POSITION: VALVE  
OPENS WITH INCREASING  
DEMAND SIGNAL

VALVE DETAIL

REFER TO VLV-207

<b>OBSOLETE</b>	SCHNEIDER MS40-7000 SERIES VALVE W/TCI-W11-U-(H) HUMIDISTAT	
	MAT'L:	
	SCALE:	F/N
	DRAWN BY: JK	VLV-206
DATE: 11/4/20		

