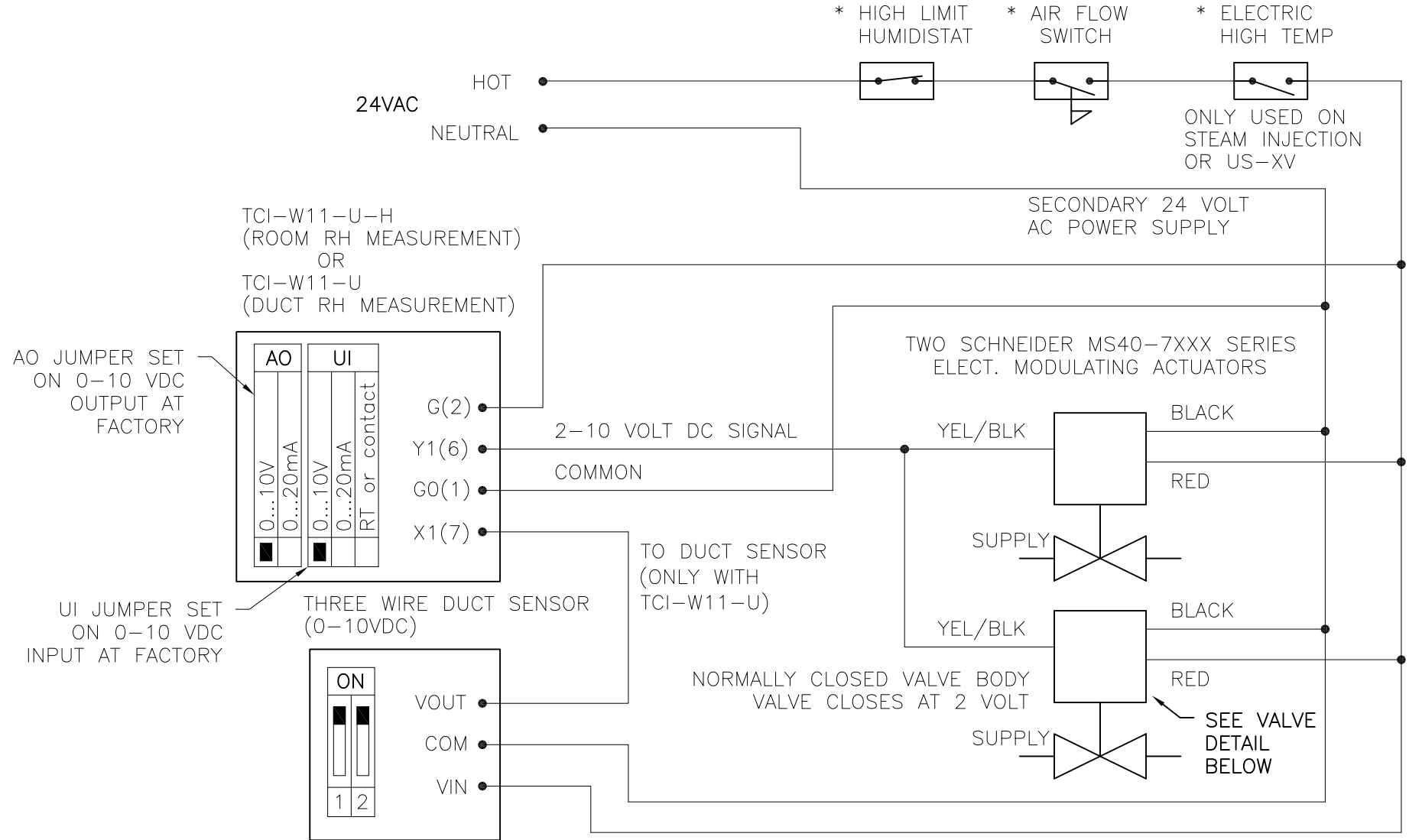


TWO SCHNEIDER MS40-7XXX SERIES VALVES W/TCI-W11-U-(H) HUMIDISTAT NO TRANSFORMER

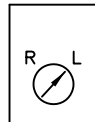
DATE	REV	RECORD	DR
11/20	A	E.C.# 6933	JK
9/22	B	E.C.# 7110	JK

CONFIDENTIAL

* OPTIONAL



(REVERSE ACTING)
"R" POSITION: VALVE
OPENS WITH DECREASING
DEMAND SIGNAL



(DIRECT ACTING)
"L" POSITION: VALVE
OPENS WITH INCREASING
DEMAND SIGNAL

VALVE DETAIL

REFER TO VLV-207

OBSOLETE	TWO SCHNEIDER MS40-7XXX SERIES VALVES W/TCI-W11-U-(H) HUMIDISTAT	
	MAT'L:	P/N
SCALE:	VLV-208	
DRAWN BY: JK		
DATE: 11/4/20		

