

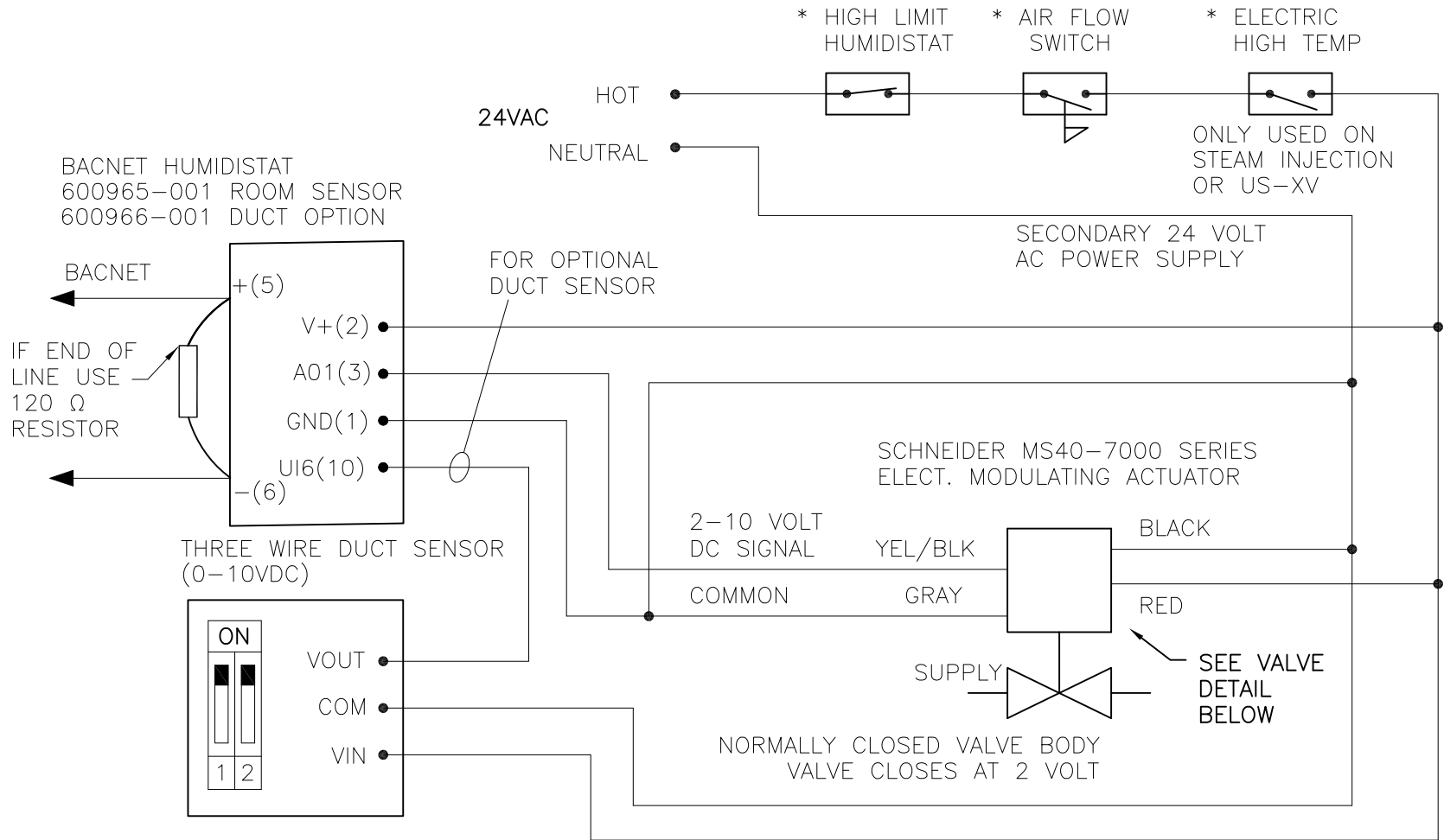
SCHNEIDER MS40-7000 SERIES VALVE W/BACNET HUMIDISTAT CONTROLLER

NO TRANSFORMER

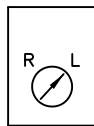
DATE	REV	RECORD	DR
10/21	A	E.C.# 7019	AJK
9/22	B	E.C.# 7110	JK

CONFIDENTIAL

* OPTIONAL



(REVERSE ACTING)
"R" POSITION: VALVE
OPENS WITH DECREASING
DEMAND SIGNAL



(DIRECT ACTING)
"L" POSITION: VALVE
OPENS WITH INCREASING
DEMAND SIGNAL

VALVE DETAIL

REFER TO VLV-307

OBSOLETE	SCHNEIDER MS40-7000 SERIES VALVE W/BACNET HUMIDISTAT	
	MAT'L:	P/N
dnSteem	SCALE:	VLV-306
	DRAWN BY: AJK DATE: 10/20/21	