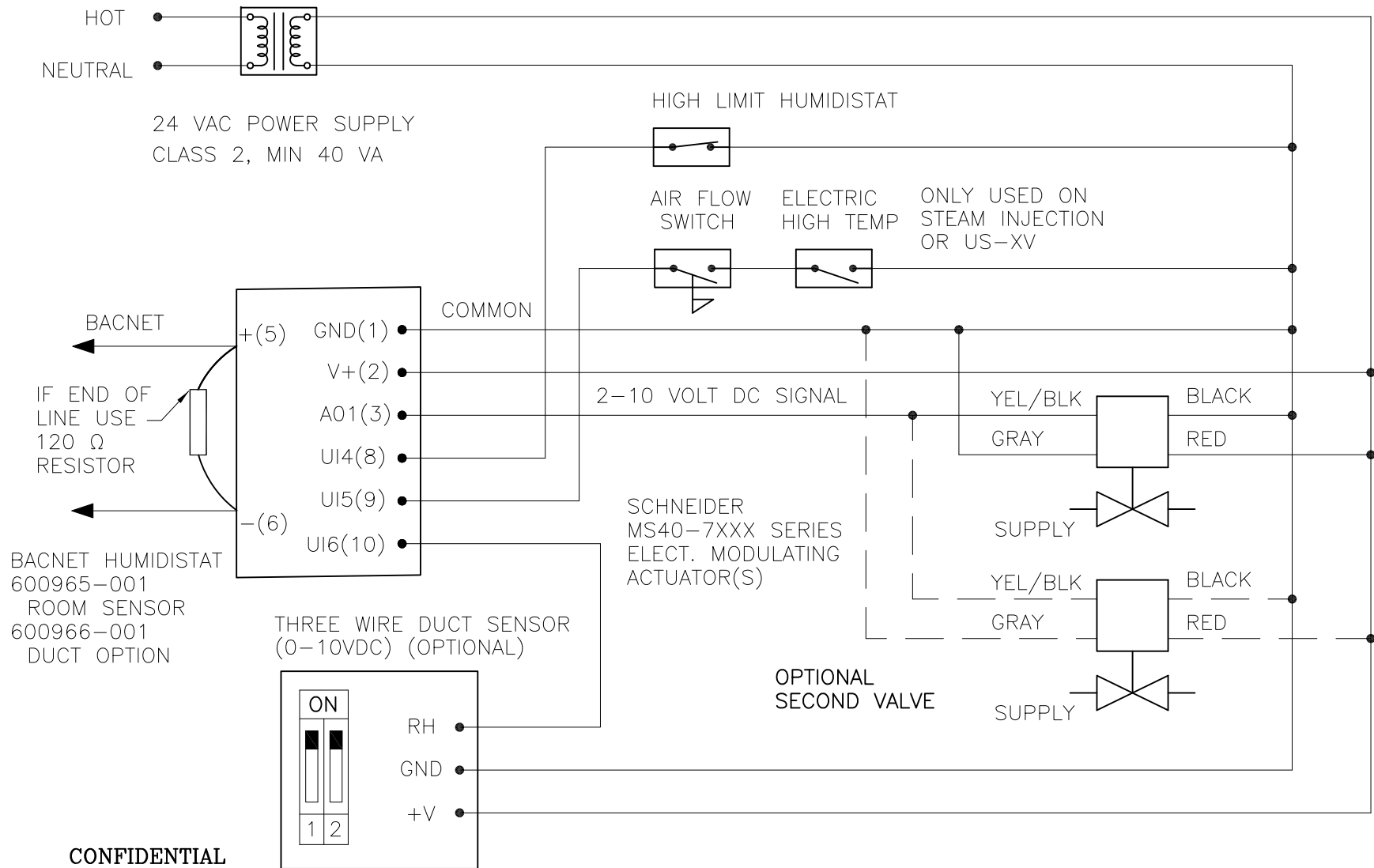
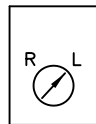


SCHNEIDER MS40-7XXX SERIES VALVE(S) W/BACNET HUMIDISTAT CONTROLLER

| DATE | REV | RECORD | DR |
|------|-----|------------|----|
| 9/22 | A | E.C.# 7110 | JK |
| 2/24 | B | E.C.# 7229 | JK |



(REVERSE ACTING)
"R" POSITION: VALVE
OPENS WITH DECREASING
DEMAND SIGNAL



(DIRECT ACTING)
"L" POSITION: VALVE
OPENS WITH INCREASING
DEMAND SIGNAL

VALVE DETAIL

| | | | |
|-----------|---------|---|---------|
| | | SCHNEIDER MS40-7XXX SERIES VALVE(S) W/BACNET HUMIDISTAT | |
| | | MAT'L: | |
| SCALE: | | P/N | VLV-307 |
| DRAWN BY: | JK | | |
| DATE: | 9/13/22 | | |