

# SCHNEIDER MS51-7XXX SERIES VALVE W/BACNET HUMIDISTAT CONTROLLER

## 230 VOLT TRANSFORMER

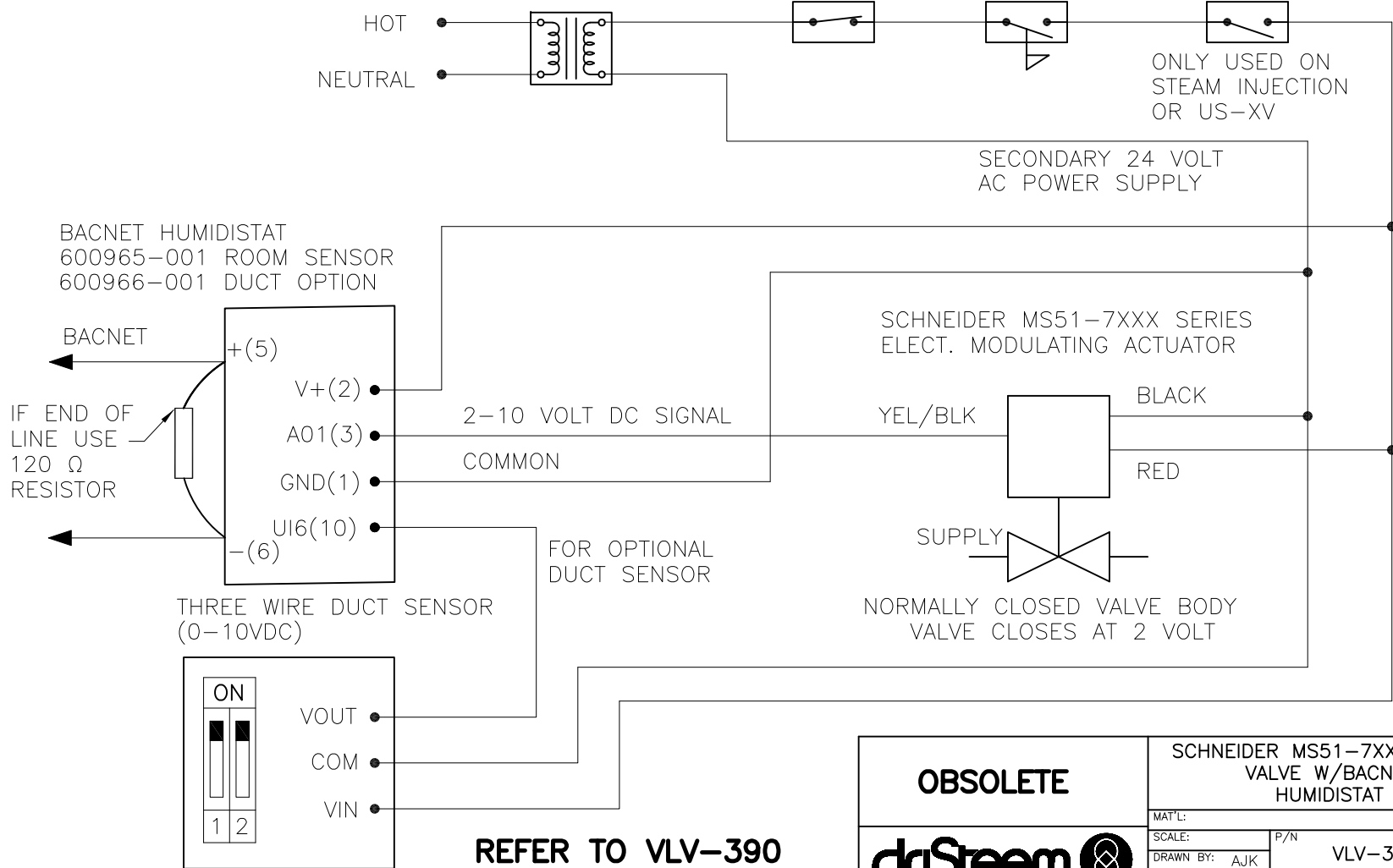
DATE	REV	RECORD	DR
10/21	A	E.C.# 7019	AJK
9/22	B	E.C.# 7110	JK

CONFIDENTIAL

120/208/240 VOLT AC PRIMARY  
 CLASS 2 TRANSFORMER TYPE AT175A-1008  
 75 VA (BY DRI-STEEM, #408700-002)

\* OPTIONAL

\* HIGH LIMIT HUMIDISTAT    \* AIR FLOW SWITCH    \* ELECTRIC HIGH TEMP



<b>OBSOLETE</b>	SCHNEIDER MS51-7XXX SERIES VALVE W/BACNET HUMIDISTAT	
	MAT'L:	P/N
<b>driSteem</b>	SCALE:	VLV-397
	DRAWN BY: AJK	DATE: 10/20/21