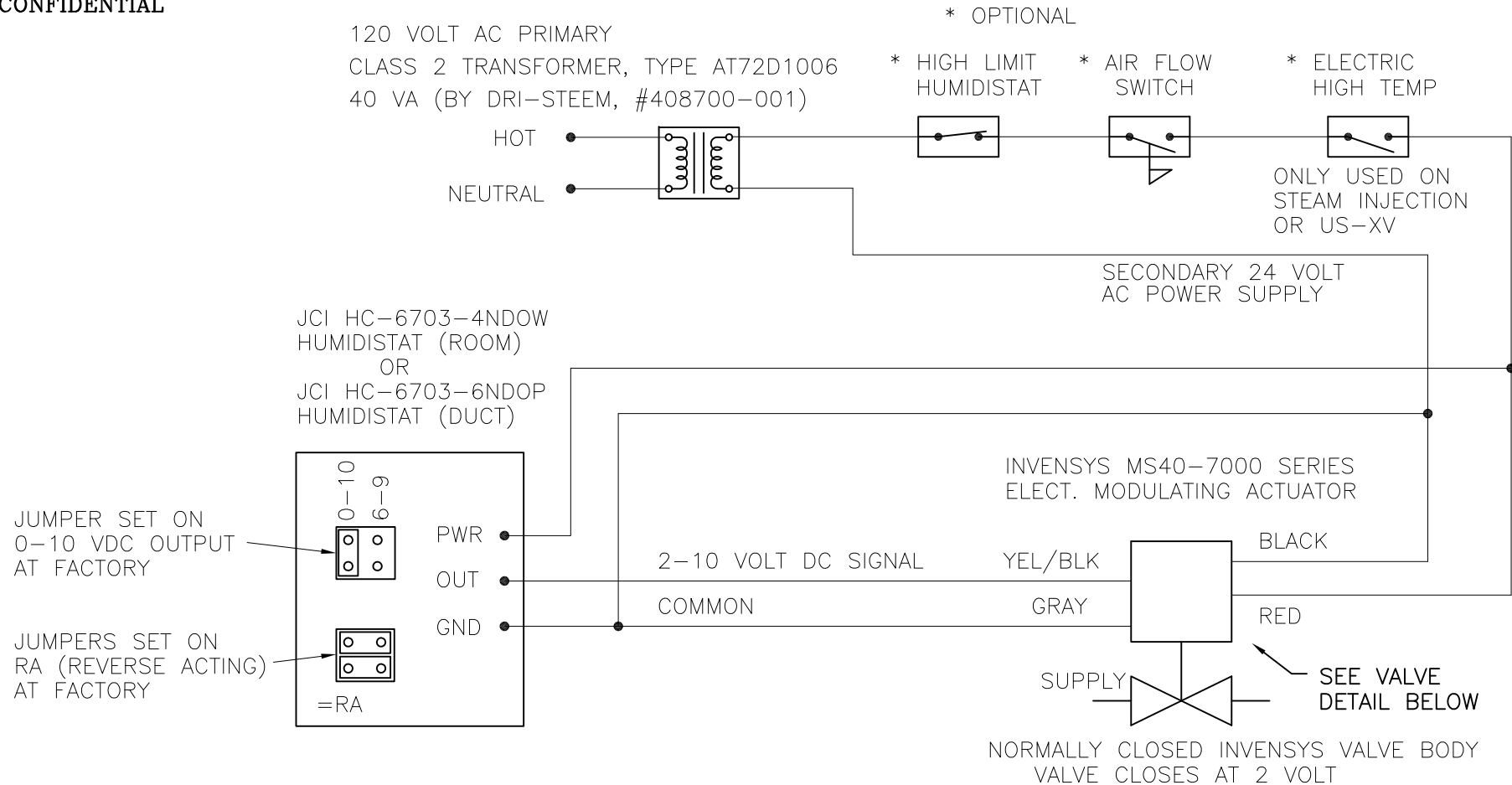


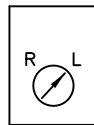
INVENSYS MS40-7000 SERIES VALVE W/JCI 6703 HUMIDISTAT

DATE	REV	RECORD	DR
4/13	E	E.C.# 6053	JK

CONFIDENTIAL



(REVERSE ACTING)
"R" POSITION: VALVE
OPENS WITH DECREASING
DEMAND SIGNAL



(DIRECT ACTING)
"L" POSITION: VALVE
OPENS WITH INCREASING
DEMAND SIGNAL

VALVE DETAIL

	INVENSYS MS40-7000 SERIES VALVE W/JCI 6703 HUMIDISTAT	
	MAT'L:	
	SCALE:	P/N
	DRAWN BY: KROG	VLV-76
DATE: 1/7/03		