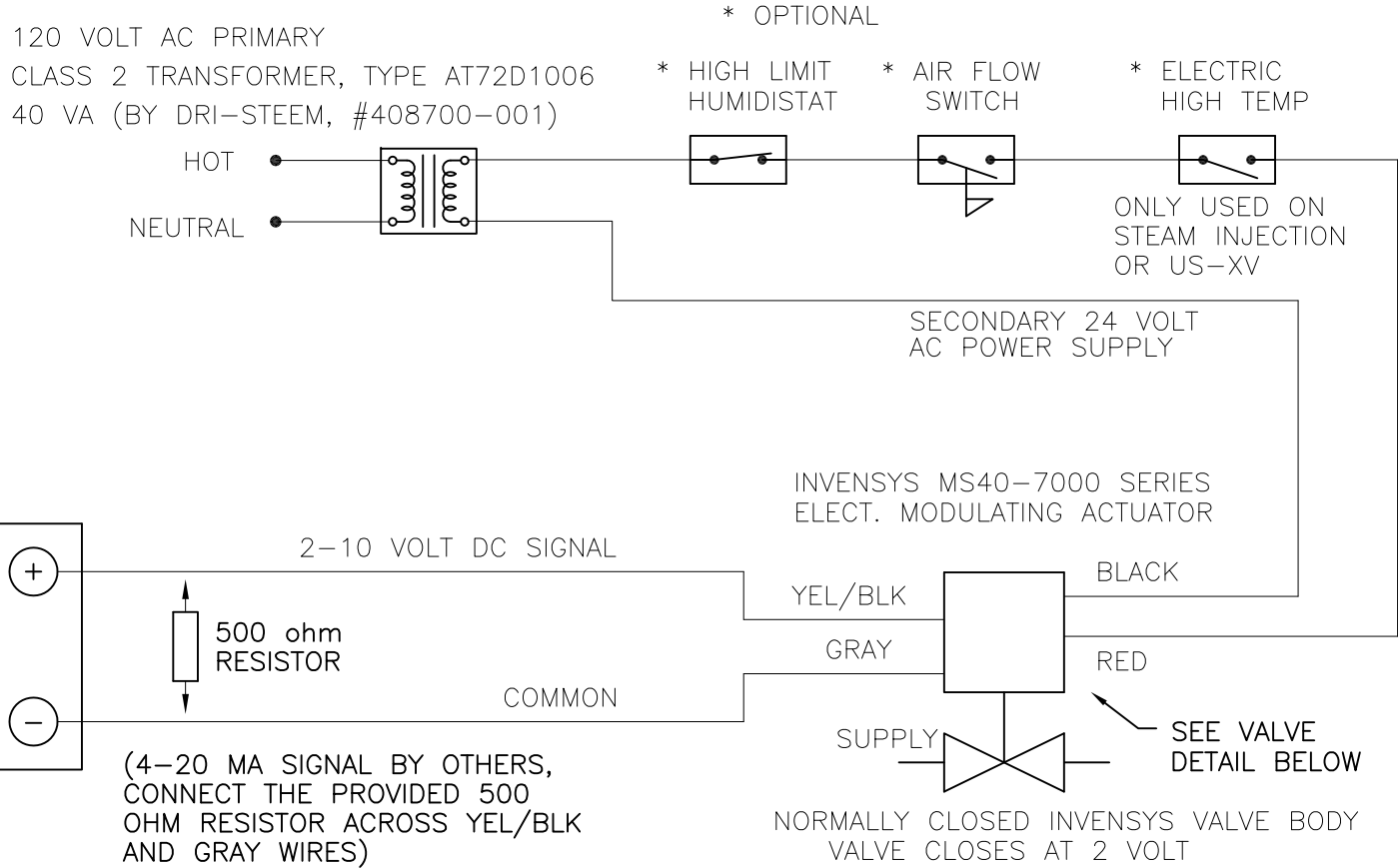


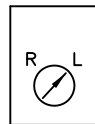
INVENSYS MS40-7000 SERIES VALVE W/2-10 VDC OR 4-20 MA BY OTHERS

DATE	REV	RECORD	DR
4/13	E	E.C.# 6053	JK

CONFIDENTIAL



(REVERSE ACTING)
"R" POSITION: VALVE
OPENS WITH DECREASING
DEMAND SIGNAL



(DIRECT ACTING)
"L" POSITION: VALVE
OPENS WITH INCREASING
DEMAND SIGNAL

VALVE DETAIL

		INVENSYS MS40-7000 SERIES VALVE W/2-10 VDC OR 4-20 MA BY OTHERS	
		MAT'L:	
SCALE:	P/N	VLV-77	
DRAWN BY: KROG			
DATE: 1/7/03			