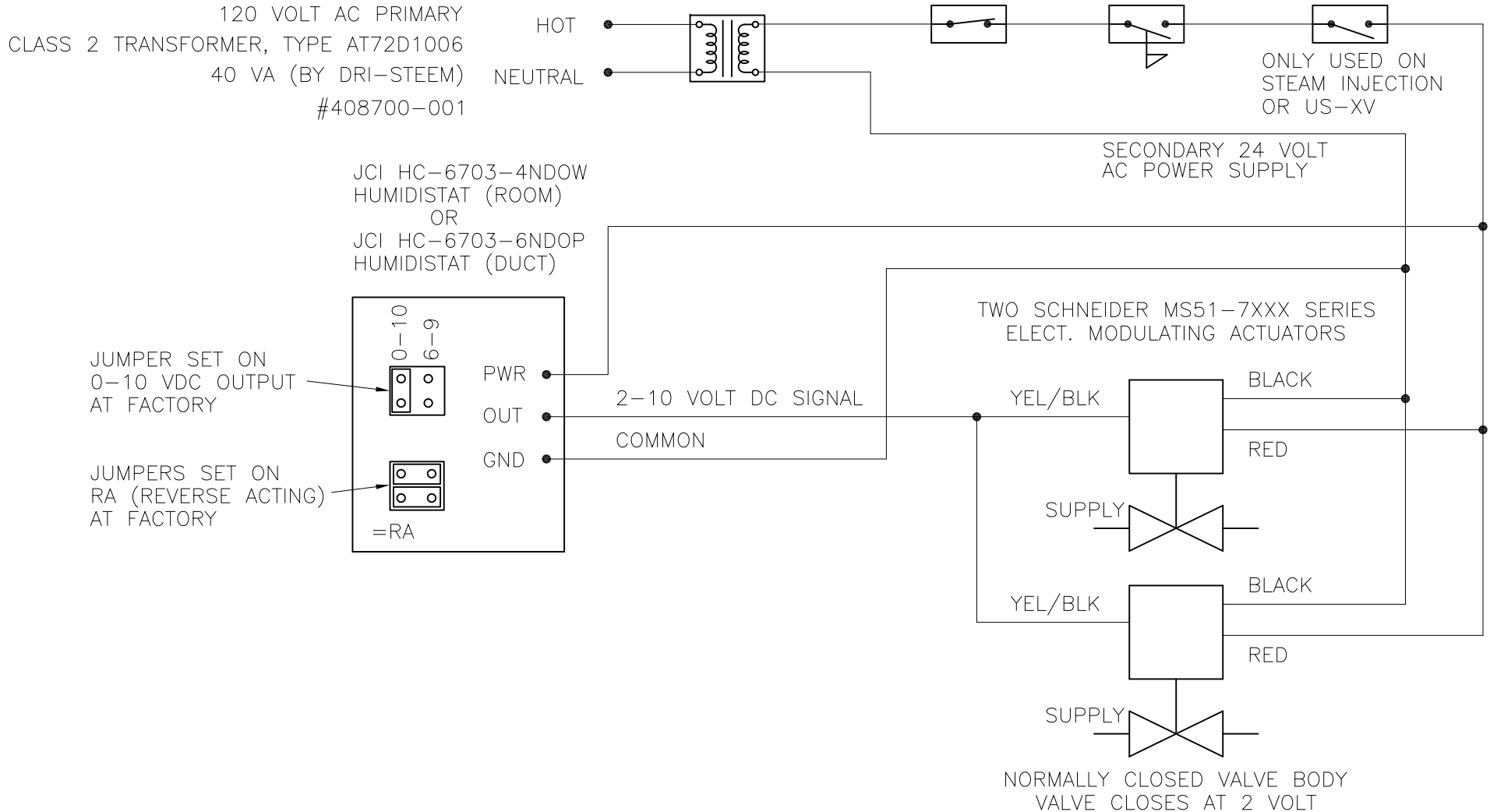


# TWO SCHNEIDER MS51-7XXX SERIES VALVES W/JCI 6703 HUMIDISTAT

DATE	REV	RECORD	DR
2/11	A	E.C.# 5299	JK
5/11	B	E.C.# 5396	AJK
3/13	C	E.C.# 6039	JK

CONFIDENTIAL

\* OPTIONAL



		TWO SCHNEIDER MS51-7XXX SERIES VALVES W/JCI HUMIDISTAT	
		MAT'L:	P/N
SCALE:	DATE: 2/14/11	VLV-95	
DRAWN BY: KROG			