

SCHNEIDER MS51-7XXX SERIES VALVE W/2-10 VDC OR 4-20 MA BY OTHERS 230 VOLT TRANSFORMER

DATE	REV	RECORD	DR
2/11	A	E.C.# 5299	JK
3/13	B	E.C.# 6039	JK

CONFIDENTIAL

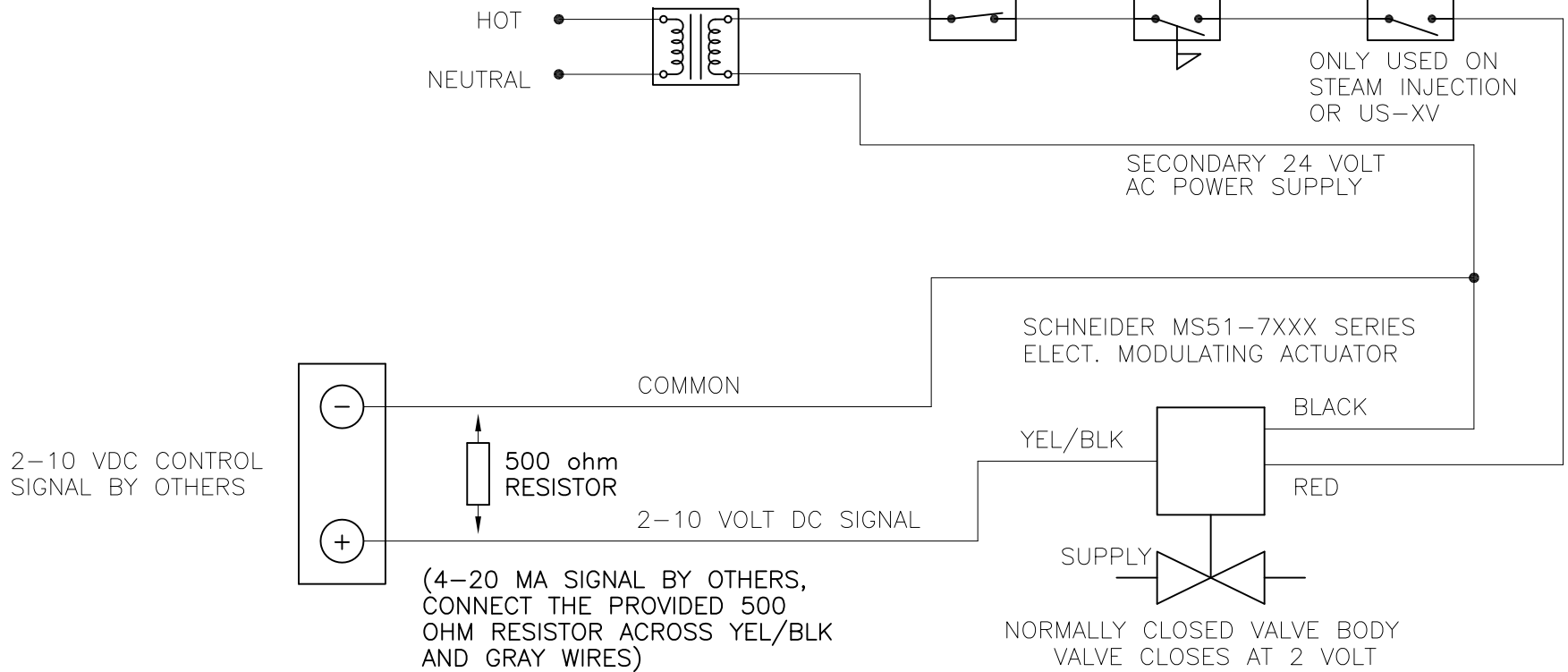
120/208/240 VOLT AC PRIMARY
CLASS 2 TRANSFORMER TYPE AT175A-1008
75 VA (BY DRI-STEEM, #408700-002)


* OPTIONAL

* HIGH LIMIT HUMIDISTAT

* AIR FLOW SWITCH

* ELECTRIC HIGH TEMP



		SCHNEIDER MS51-7XXX SERIES VALVE W/2-10 VDC OR 4-20 MA BY OTHERS	
		MAT'L:	
SCALE:		P/N	VLV-98
DRAWN BY: KROG			
DATE: 2/14/11			