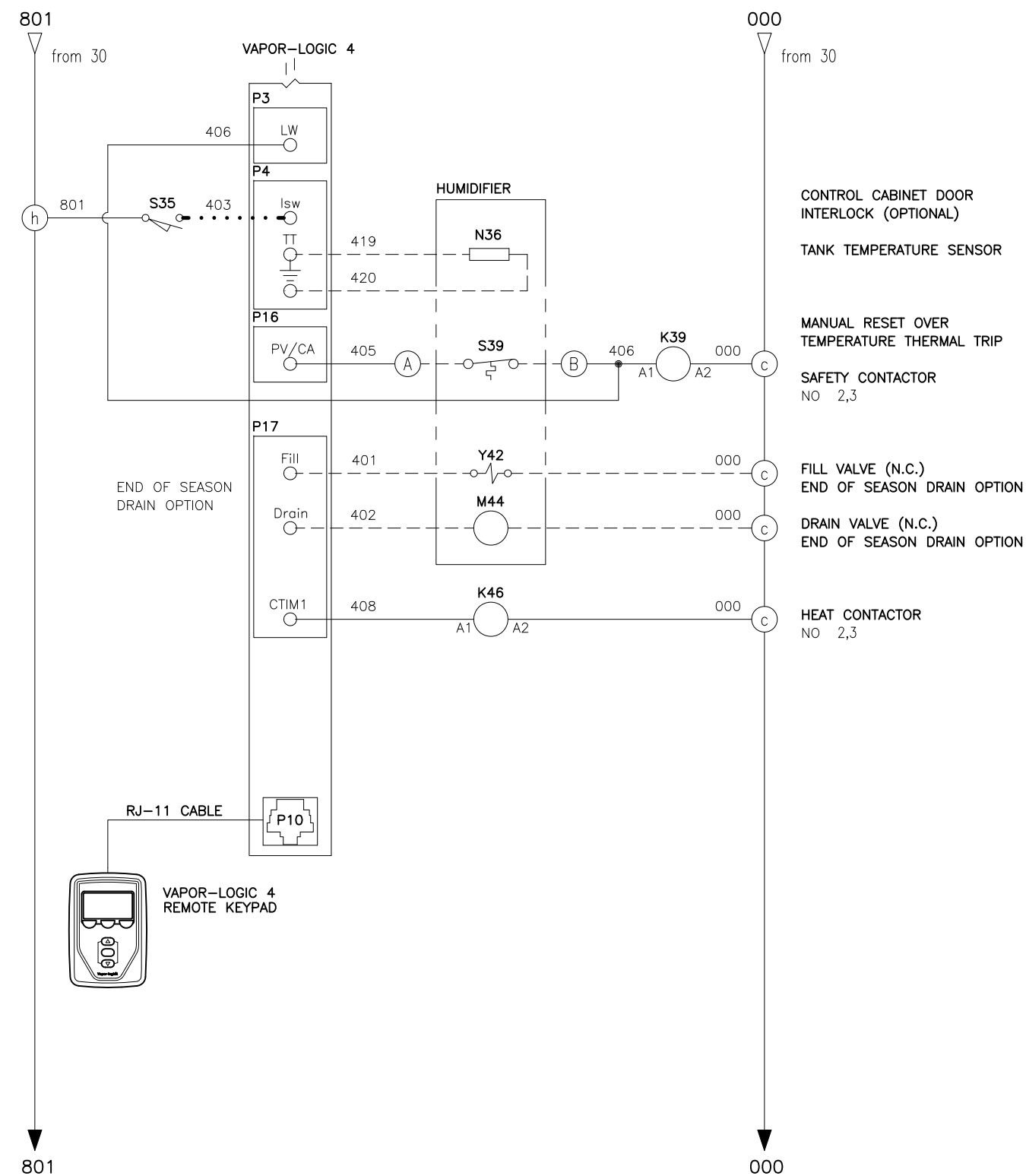
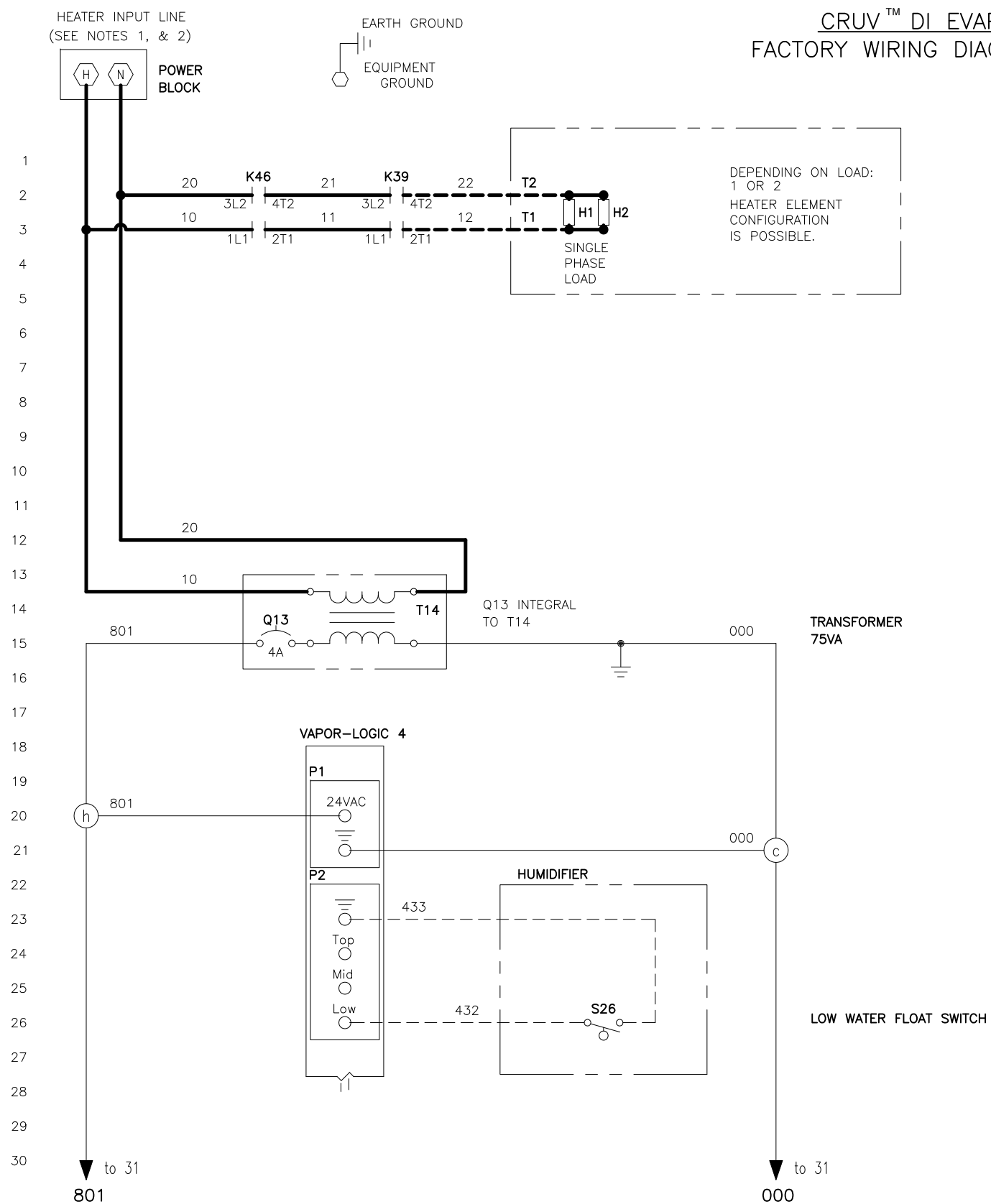


CRUV™ DI EVAPORATIVE HUMIDIFIER FACTORY WIRING DIAGRAM WITH VAPOR-LOGIC 4

DATE	REV	RECORD	DR
5/10	A	E.C.# 5005	JK
5/12	B	E.C.# 5803	JK



NOTES:

1. INPUT LINE 120 VOLTS 1 PHASE, FOR HEATER(S) CIRCUIT: OPERATES ON 50/60 HERTZ.

2. FOR WIRING SIZING, HEATER CIRCUIT LINE AMPS: N _____

RECOMMENDED LINE FUSING _____ AMPS. POWER BLOCK TERMINAL TORQUE _____ in-lbs|N-m

CONTACTOR TERMINAL TORQUE _____ in-lbs|N-m

VL4 CONTROL BOARD TORQUE _____ in-lbs|N-m

POWER WIRING

CONTROL CIRCUIT WIRING

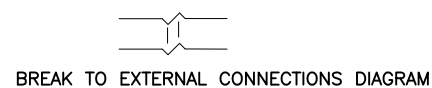
FIELD WIRING

OPTIONAL FACTORY

OPTIONAL FIELD

LEGEND

- | | |
|-------------------|---------------|
| K RELAY/CONTACTOR | Y SOLENOID |
| T TRANSFORMER | N SENSOR |
| Q CIRCUIT BREAKER | J JUMPER |
| S SWITCH | E WATER PROBE |
| H HEATER | M MOTOR/FAN |
| F FUSE | |



MODEL: _____ ORDER NO: _____

DRISTEEM		DOMESTIC CRUV, DI 120 VOLT WATER DIAGRAM	
SCALE: _____		P/N _____	
DRAWN BY: KROG		CR-VL4-12	
DATE: 5/7/10			