

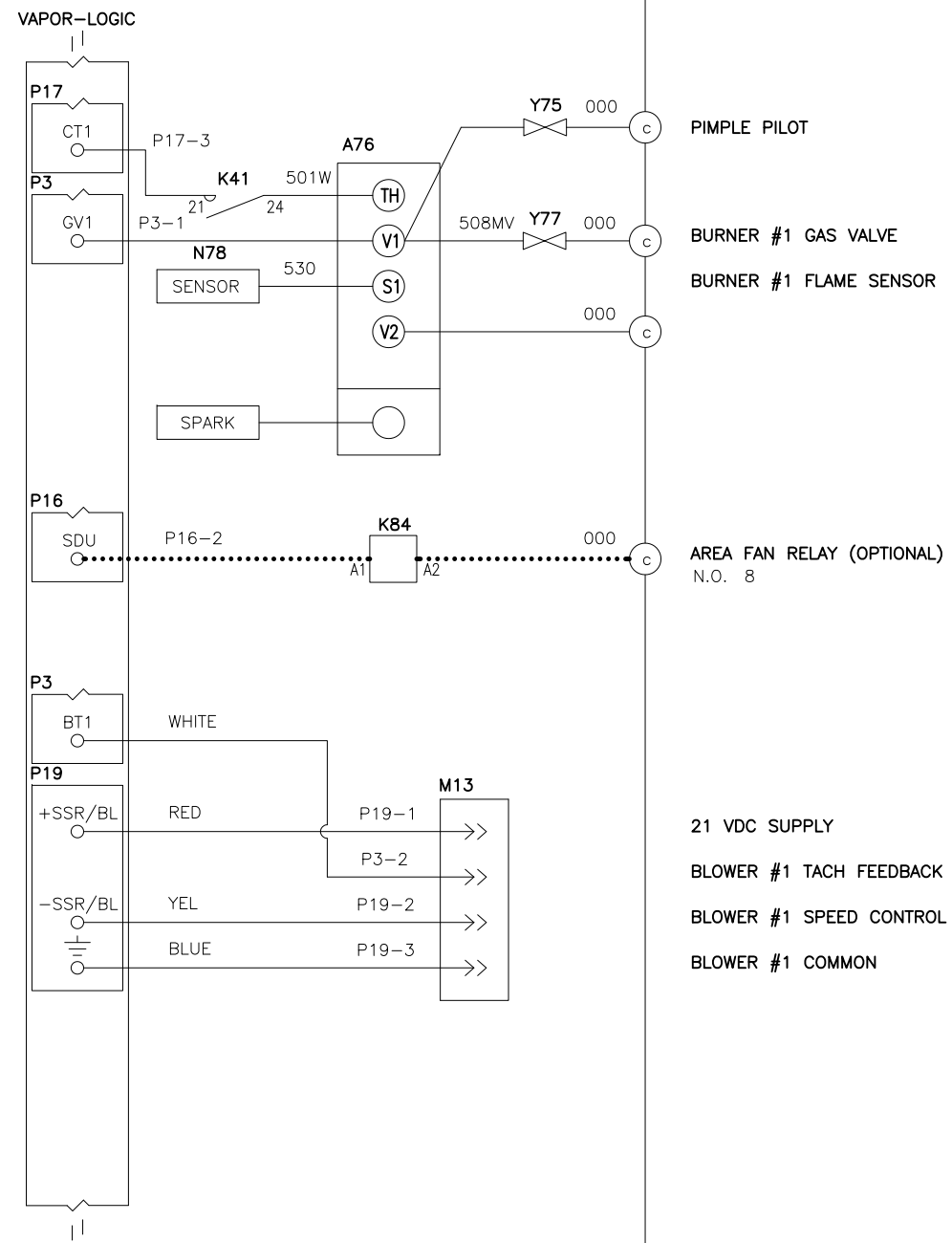
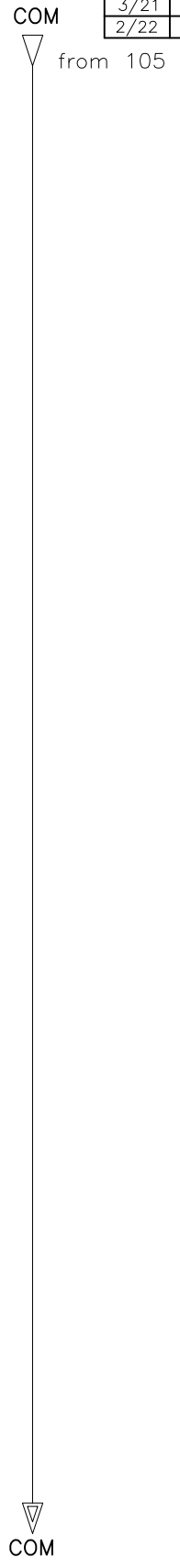
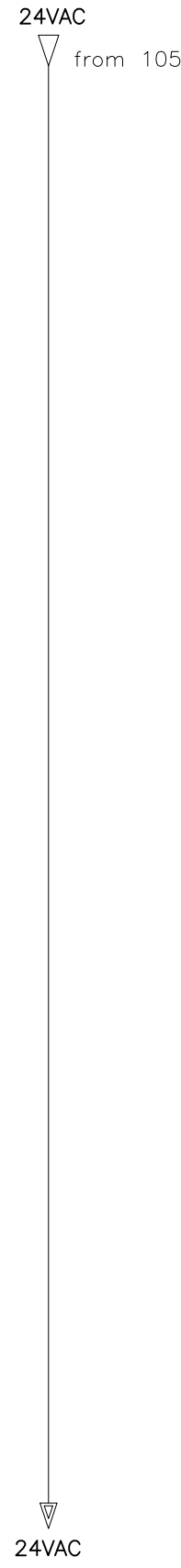
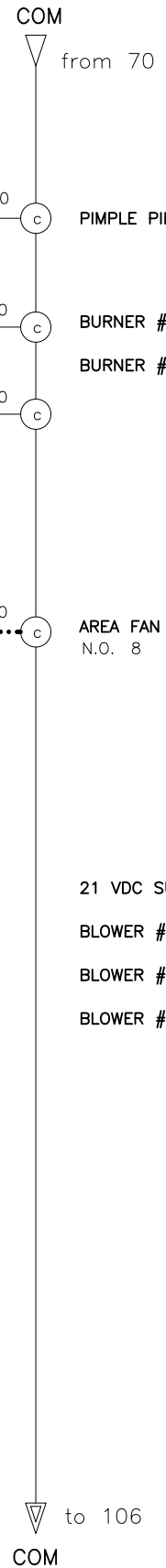
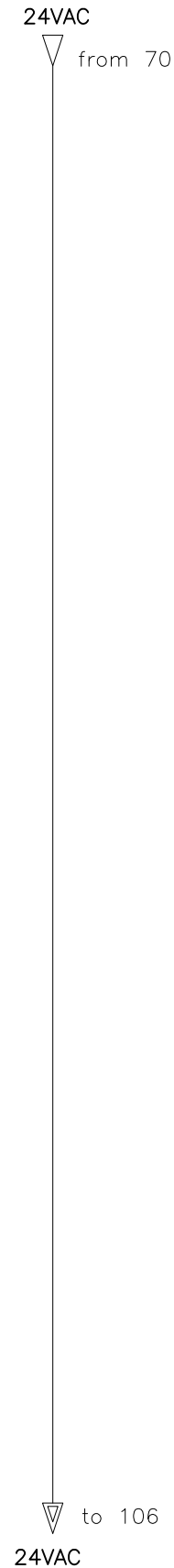
EUROPEAN GTS LX EVAPORATIVE HUMIDIFIER

FACTORY WIRING DIAGRAM W/ VL[®]

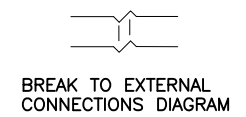
DATE	REV	RECORD	DR
2/21	B	E.C.# 6952	JK
3/21	C	E.C.# 6970	VS
2/22	D	E.C.# 7068	JK

71
72
73
74
75
76
77
78
79
80
81
82
83
84
85
86
87
88
89
90
91
92
93
94
95
96
97
98
99
100
101
102
103
104
105

106
107
108
109
110
111
112
113
114
115
116
117
118
119
120
121
122
123
124
125
126
127
128
129
130
131
132
133
134
135
136
137
138
139
140



POWER WIRING
CONTROL CIRCUIT WIRING
FIELD WIRING
OPTIONAL FACTORY
OPTIONAL FIELD



LEGEND
K RELAY/CONTACTOR Y SOLENOID
T TRANSFORMER N SENSOR
Q CIRCUIT BREAKER J JUMPER
S SWITCH E WATER PROBE
A IGNITION MODULE M MOTOR/FAN

GTS-LX-CE-VL-4 SHT2

EUROPEAN GTS LX-200/250/300, ONE BURNER WIRING DIAGRAM	
MAT'L:	
SCALE:	P/N
DRAWN BY: JK	GTS-LX-CE-VL-4
DATE: 7/29/19	SHEET 2 OF 2