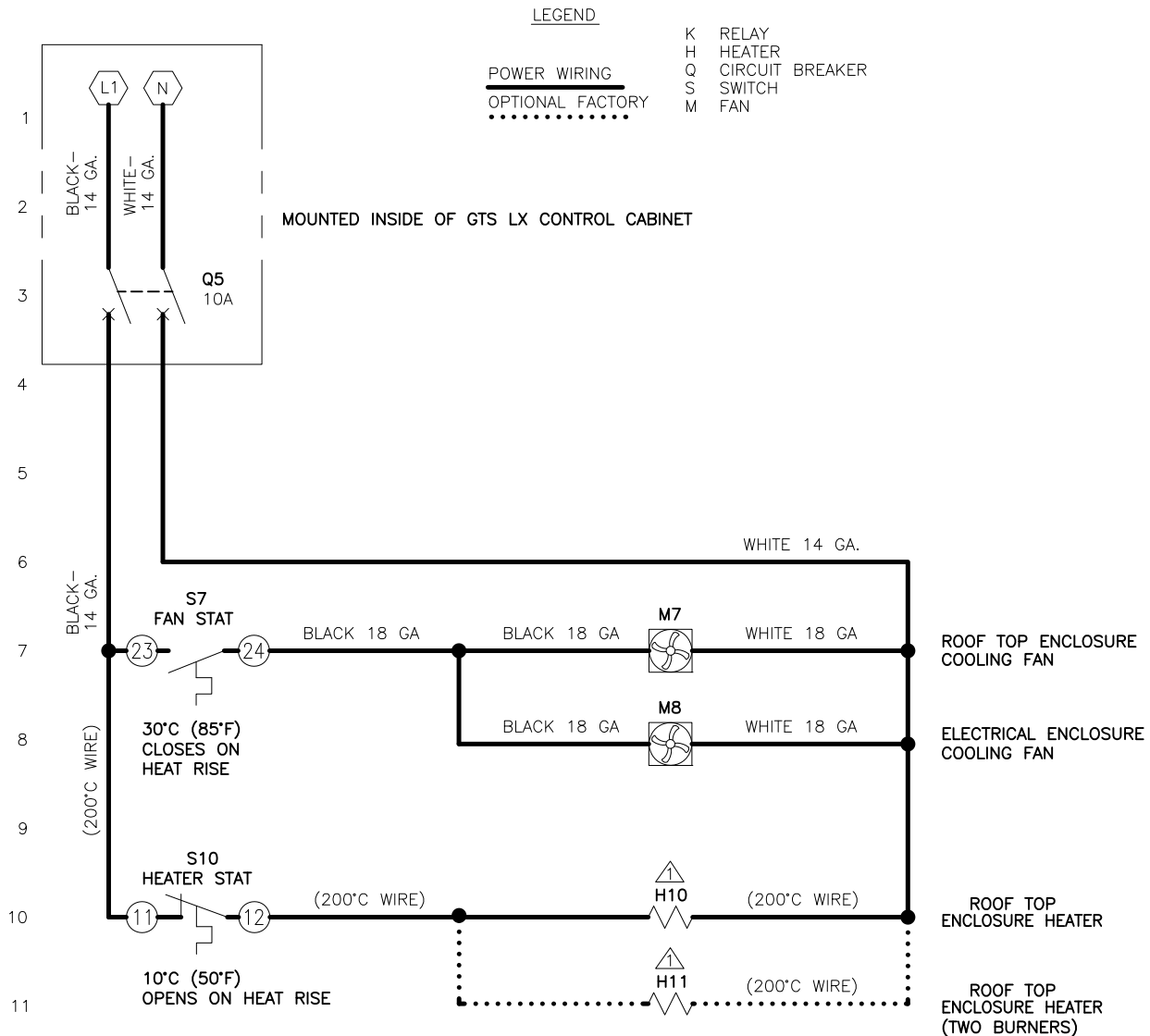


DATE	REV	RECORD	DR
10/19	A	E.C.# 6843	JK
12/19	B	E.C.# 6858	JK
7/24	C	E.C.# 7296	JK

## EUROPEAN GTS LX WITH VL OUTDOOR ENCLOSURE WIRING DIAGRAM



**NOTES:**

1. USE UNINSULATED RING TERMINALS FOR TERMINATIONS AT HEATER LUGS.
2. ALL WIRING IS 14 GAUGE UNLESS NOTED OTHERWISE.
3. CAP ALL LOOSE LINE VOLTAGE WIRES BEFORE TEST.

	EUROPEAN GTS LX W/VL OUTDOOR ENCLOSURE WIRING DIAGRAM	
	MAT'L:	
	SCALE:	P/N
	DRAWN BY: JK	GTS-LX-CE-VL-5
DATE: 10/9/19		