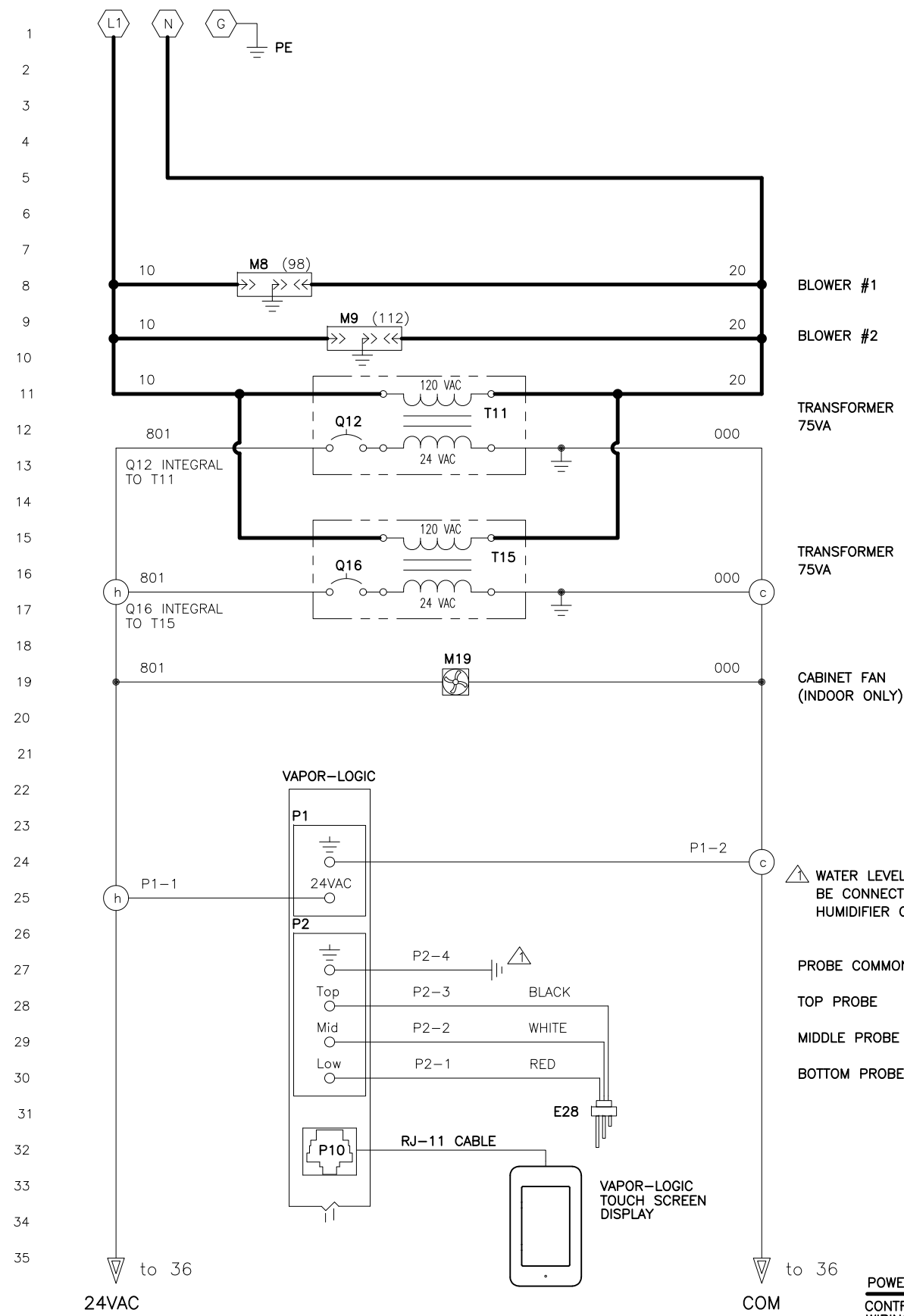


GTS LX EVAPORATIVE HUMIDIFIER

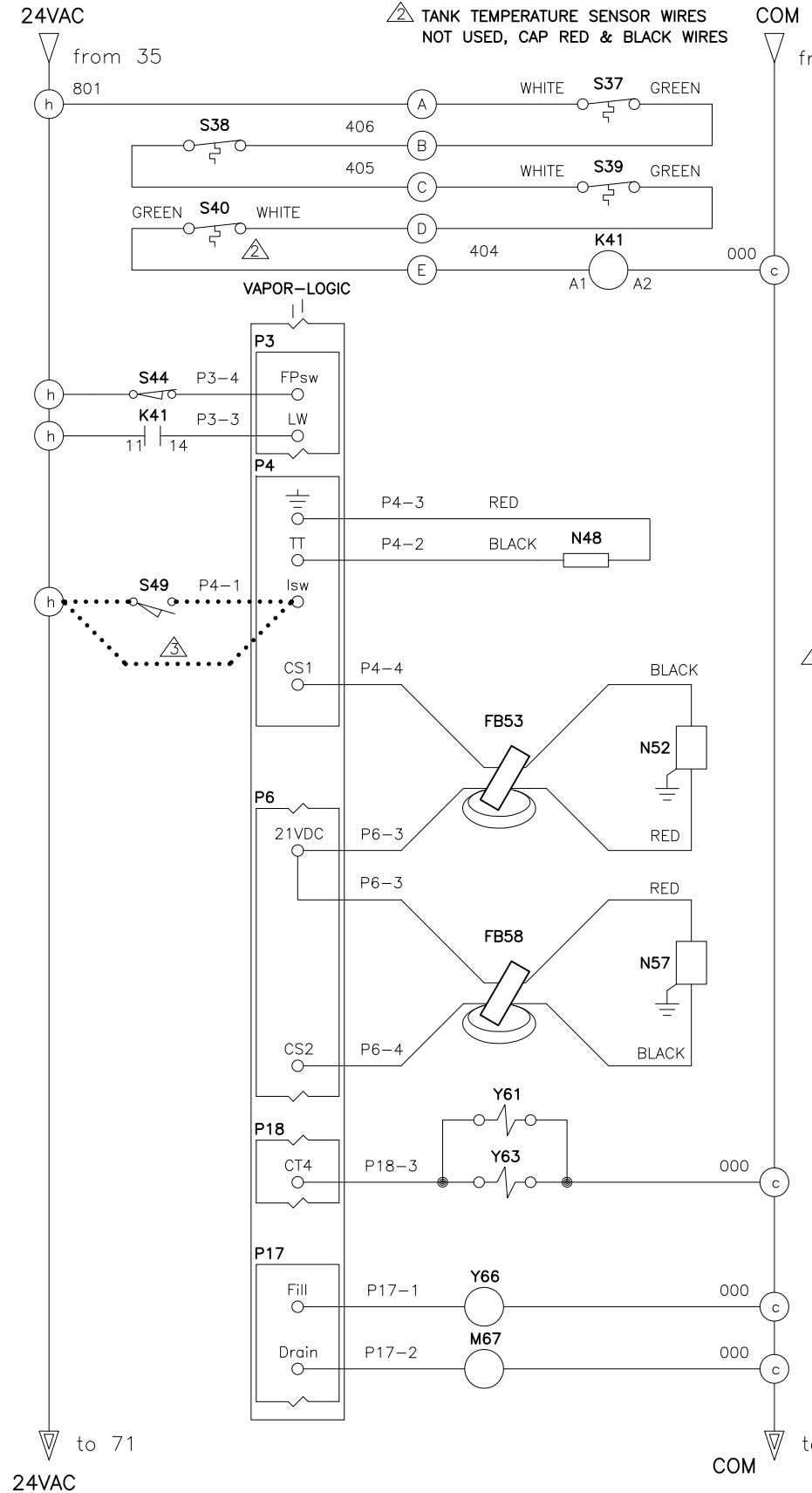
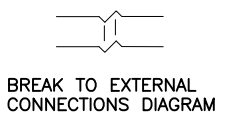
FACTORY WIRING DIAGRAM W/ VL[®]

DATE	REV	RECORD	DR
2/21	A	E.C.# 6952	JK
3/21	B	E.C.# 6970	VS
3/22	C	E.C.# 7079	JK



⚠ WATER LEVEL PROBE GROUND MUST BE CONNECTED TO TANK FOR PROPER HUMIDIFIER OPERATION.

POWER WIRING
CONTROL CIRCUIT WIRING
FIELD WIRING
OPTIONAL FACTORY
OPTIONAL FIELD



- TANK TEMPERATURE SWITCH (N.C.) (S37)
- SAFETY THERMAL CUT OUT SWITCH (N.C.) (S38)
- FLUE TEMPERATURE SWITCH (N.C.) (S39)
- TANK TEMPERATURE SWITCH (N.C.) (S40)
- IGNITION RELAY (K41)
N.O. 45,76,85
- FLUE SWITCH (N.C.)
- FLUE OR TANK SWITCH CUT OUT
- COMMON
- TANK TEMPERATURE SENSOR
- DOOR INTERLOCK SWITCH (OPTIONAL)

⚠ IF THE INTERLOCK SWITCH IS NOT USED, WIRE DIRECTLY TO THE TERMINAL STRIP

- FLUE TEMPERATURE SENSOR
- FERRITE BEAD
- DRAIN TEMPERATURE SENSOR
- FERRITE BEAD
- SECONDARY HX FILL VALVE 1 (N.C.)
- SECONDARY HX FILL VALVE 2 (N.C.)

- TANK FILL VALVE (N.C.)
- DRAIN VALVE (N.C.)
(N.O. OUTDOOR)

LEGEND

- K RELAY/CONTACTOR
- T TRANSFORMER
- Q CIRCUIT BREAKER
- S SWITCH
- A IGNITION MODULE
- Y SOLENOID
- N SENSOR
- J JUMPER
- E WATER PROBE
- M MOTOR/FAN

NOTE:
REFER TO GTS LX ELECTRICAL DATA SHEET.

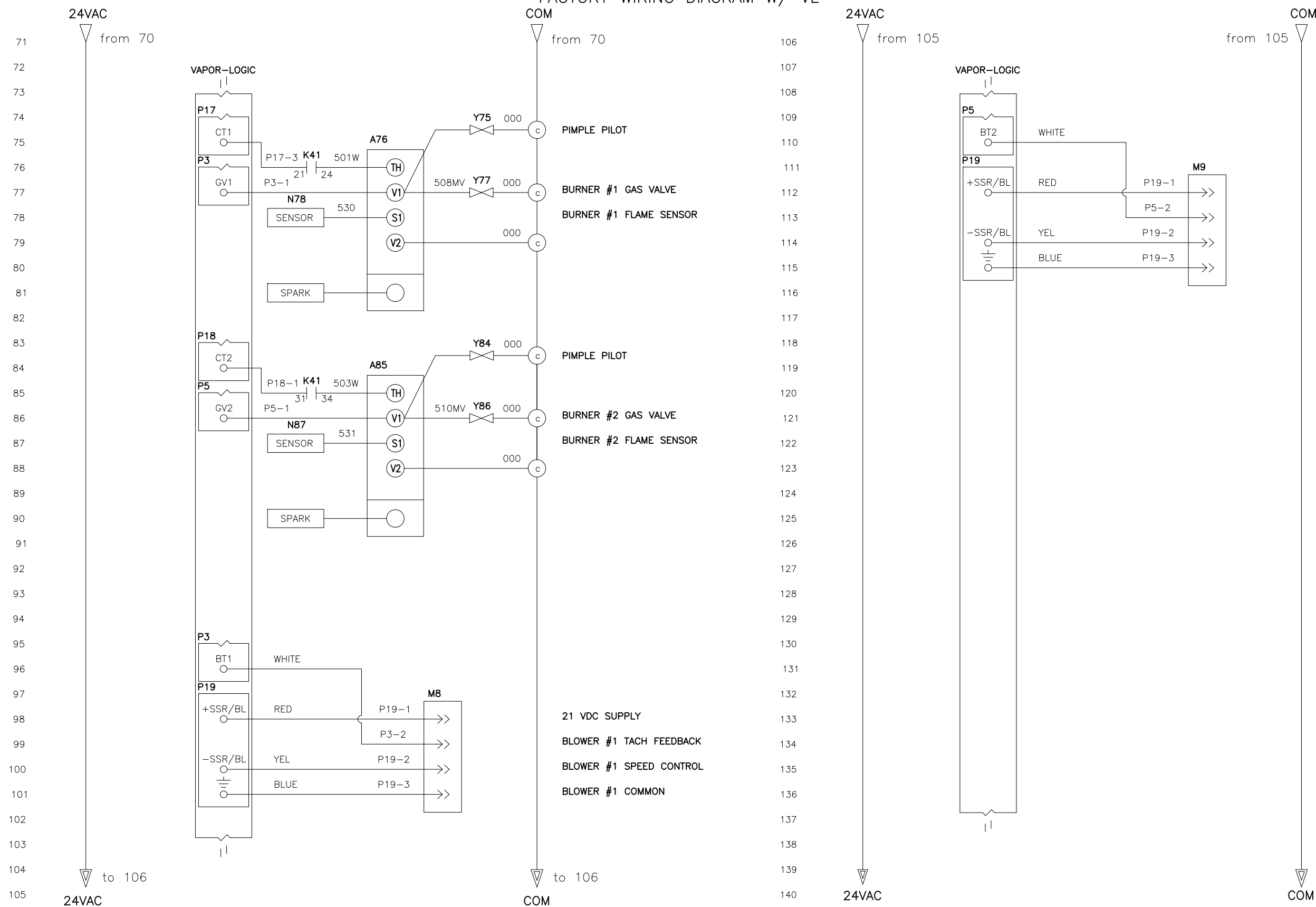
GTS LX,
TWO BURNER
WIRING DIAGRAM

MAT'L:
SCALE:
DRAWN BY: JK
DATE: 9/10/18

P/N
GTS-LX-VL-3
SHEET 1 OF 2

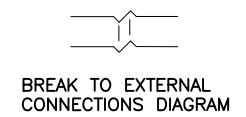
GTS LX EVAPORATIVE HUMIDIFIER
FACTORY WIRING DIAGRAM W/ VL[®]

DATE	REV	RECORD	DR
2/21	A	E.C.# 6952	JK
3/21	B	E.C.# 6970	VS
3/22	C	E.C.# 7079	JK



21 VDC SUPPLY
BLOWER #2 TACH FEEDBACK
BLOWER #2 SPEED CONTROL
BLOWER #2 COMMON

POWER WIRING
CONTROL CIRCUIT WIRING
FIELD WIRING
OPTIONAL FACTORY
OPTIONAL FIELD



LEGEND
K RELAY/CONTACTOR Y SOLENOID
T TRANSFORMER N SENSOR
Q CIRCUIT BREAKER J JUMPER
S SWITCH E WATER PROBE
A IGNITION MODULE M MOTOR/FAN

	GTS LX, TWO BURNER WIRING DIAGRAM	
	MAT'L:	P/N
	SCALE:	GTS-LX-VL-3
DATE: 9/10/18	DRAWN BY: JK	SHEET 2 OF 2