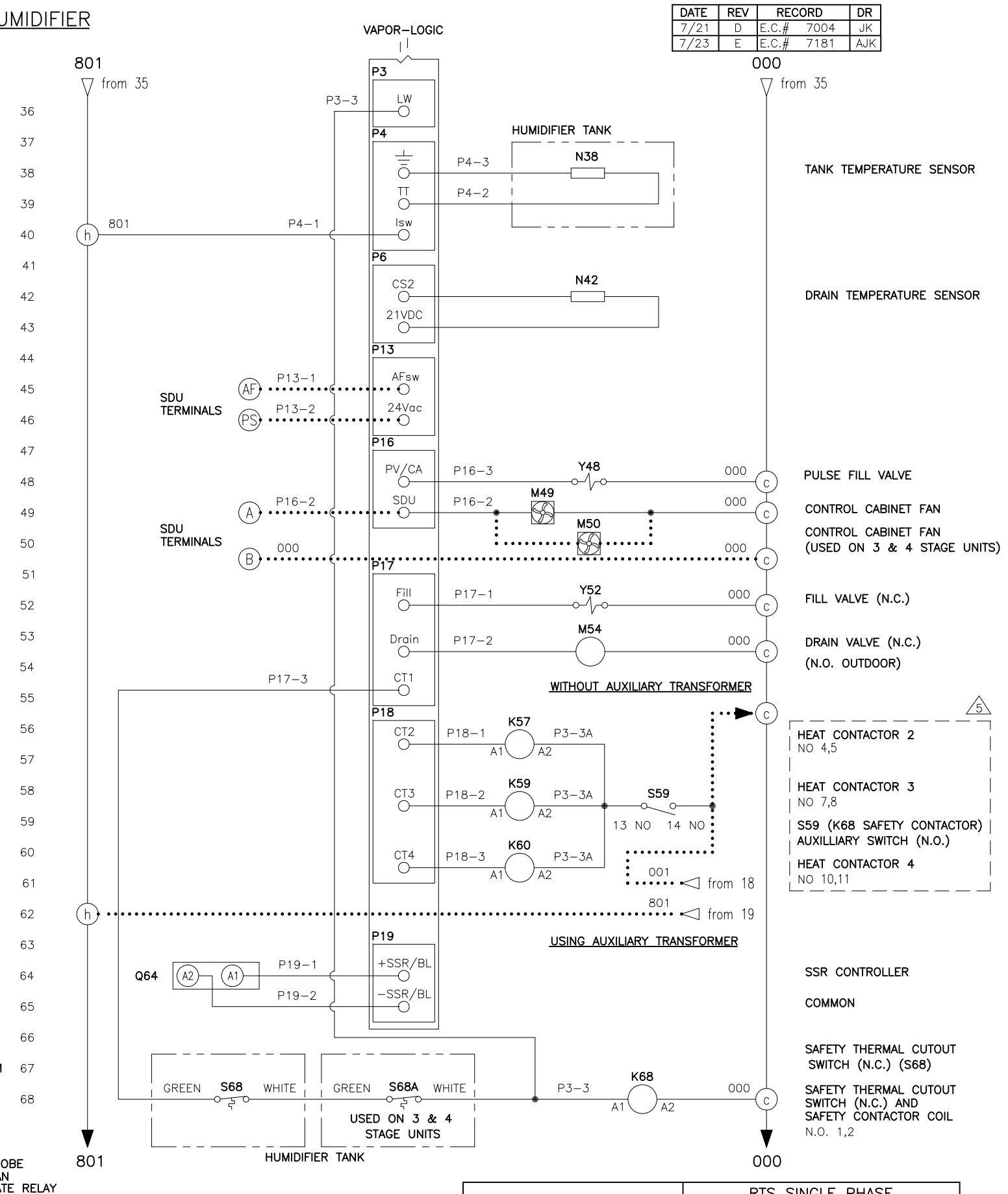
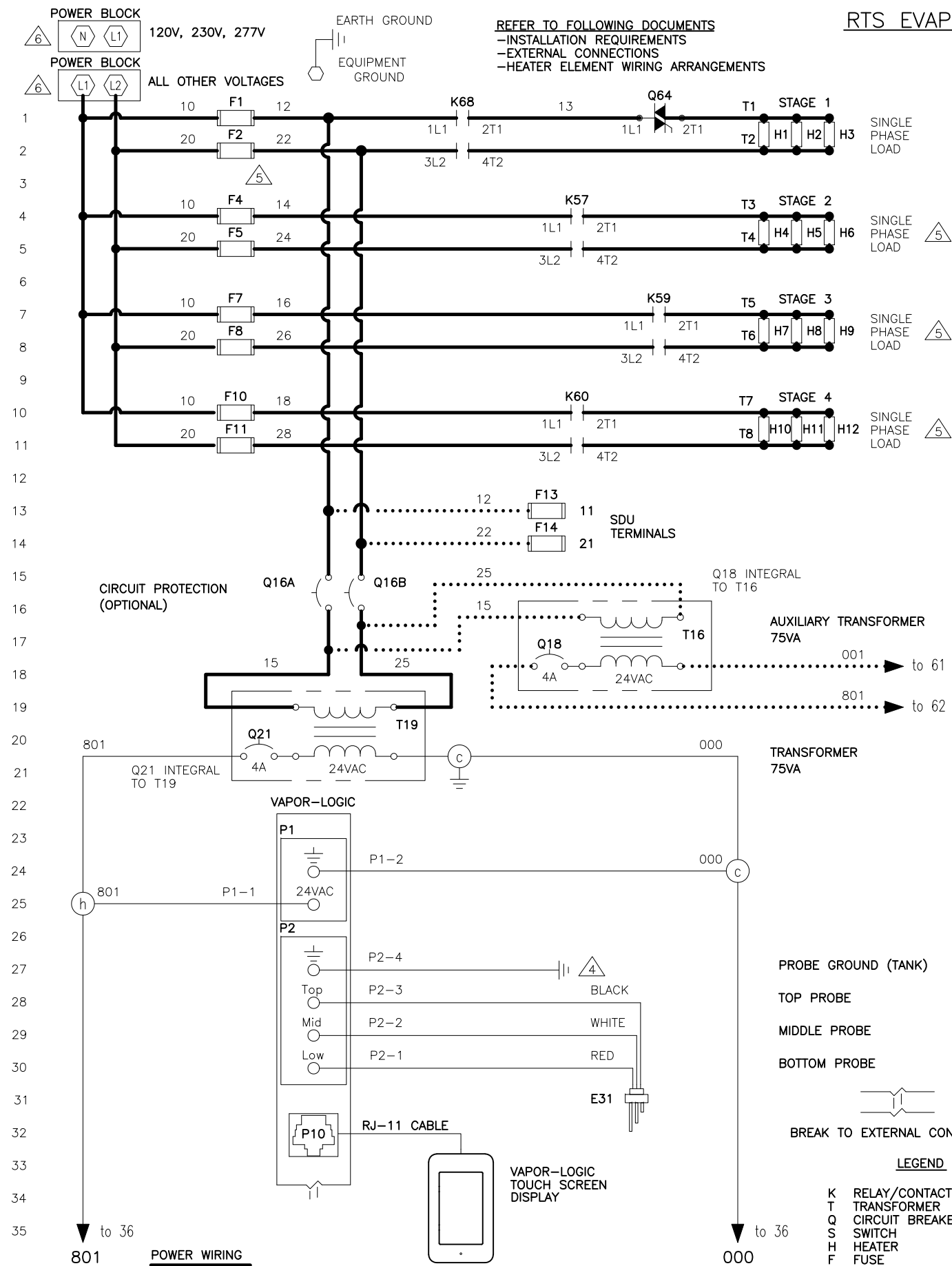


# RTS EVAPORATIVE HUMIDIFIER

DATE	REV	RECORD	DR
7/21	D	E.C.# 7004	JK
7/23	E	E.C.# 7181	AJK



**POWER WIRING**  
**CONTROL CIRCUIT WIRING**  
**FIELD WIRING**  
**OPTIONAL FACTORY**  
**OPTIONAL FIELD**

- NOTES:**
1. WIRING AND BRANCH CIRCUIT PROTECTION PROVIDED BY INSTALLER AS PER NATIONAL ELECTRICAL CODE.
  2. FOR SUPPLY HEATER AND MACHINE GROUND CONNECTIONS, SIZE WIRE USING 75°C WIRE TABLE PER NATIONAL ELECTRICAL CODE.
  3. USE COPPER CONNECTORS RATED FOR 105°C.
  4. WATER LEVEL PROBE GROUND MUST BE CONNECTED TO TANK FOR PROPER HUMIDIFIER OPERATION.

5. WIRING DIAGRAM SHOWS MAXIMUM NUMBER OF STAGES. YOUR PARTICULAR HUMIDIFIER MAY HAVE LESS. ON SINGLE STAGE UNITS, FUSES AND FUSE BLOCKS ARE OMITTED.
6. INPUT POWER BLOCK LABELING TO BE N-L1 FOR 120V, 230V, 277V. L1-L2 FOR ALL OTHER VOLTAGES.

**RTS SINGLE PHASE WIRING DIAGRAM**

MAT'L:

SCALE: P/N

DRAWN BY: JK

DATE: 10/21/20

RTS-VL-2