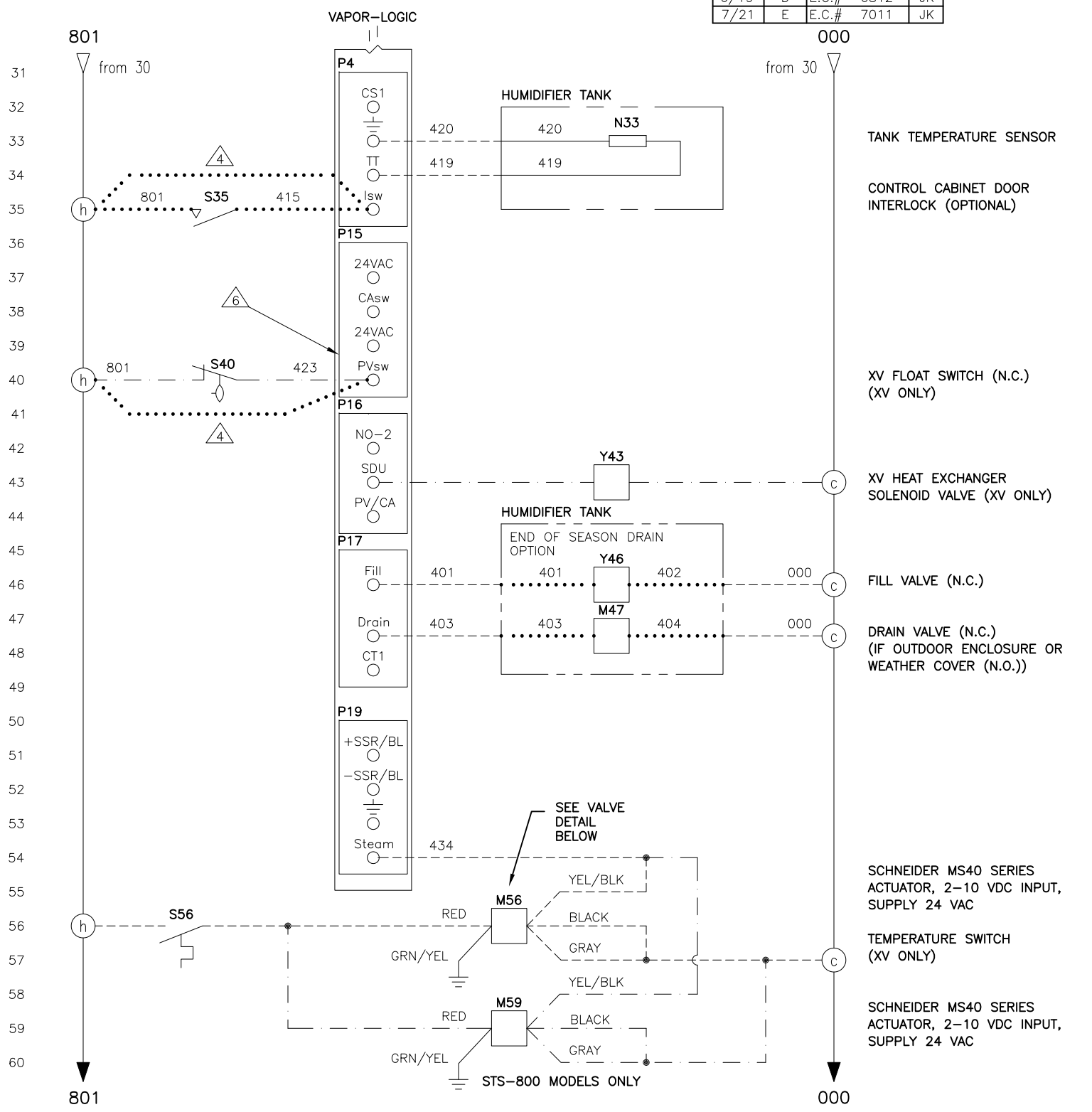
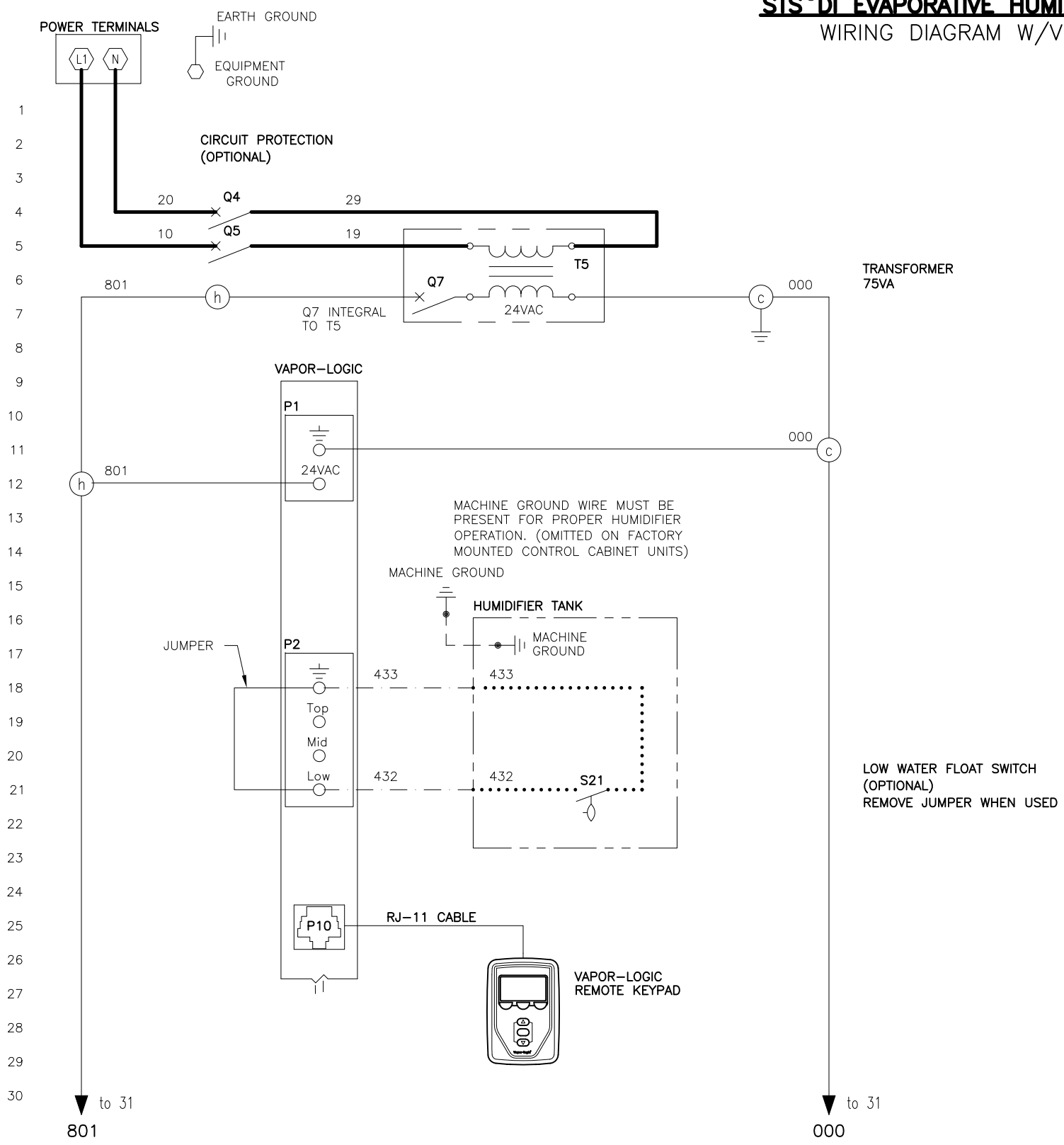


# STS® DI EVAPORATIVE HUMIDIFIER WIRING DIAGRAM W/VL®

DATE	REV	RECORD	DR
5/18	C	E.C.# 6686	JK
6/19	D	E.C.# 6812	JK
7/21	E	E.C.# 7011	JK



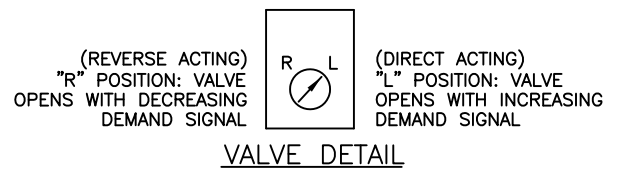
**POWER WIRING**  
CONTROL CIRCUIT WIRING  
FIELD WIRING  
OPTIONAL FACTORY  
OPTIONAL FIELD

- NOTES:**
1. WIRING AND BRANCH CIRCUIT PROTECTION PROVIDED BY INSTALLER AS PER NATIONAL ELECTRICAL CODE.
  2. FOR SUPPLY AND MACHINE GROUND CONNECTIONS, SIZE WIRE USING 75°C WIRE TABLE PER NATIONAL ELECTRICAL CODE.
  3. USE COPPER CONNECTORS RATED FOR 105°C.

- ⚠ IF THE SWITCH IS NOT USED, THEN WIRE DIRECTLY TO TERMINAL SWITCH.
5. REFER TO STS ELECTRICAL DATA SHEET.
- ⚠ REMOVE SHUNT J404 FROM BOARD IF USING OPTIONAL ACCESSORY.

BREAK TO EXTERNAL CONNECTIONS DIAGRAM

- LEGEND**
- |                   |               |
|-------------------|---------------|
| K RELAY/CONTACTOR | Y SOLENOID    |
| T TRANSFORMER     | N SENSOR      |
| Q CIRCUIT BREAKER | J JUMPER      |
| S SWITCH          | E WATER PROBE |
| H HEATER          | M MOTOR/FAN   |



EUROPEAN STS, DI  
WATER, ELECTRIC ACTUATOR  
WIRING DIAGRAM

drSteem

MAT'L:	SCALE:	P/N
	DRAWN BY: JK	STS-CE-VL-4
	DATE: 5/21/15	