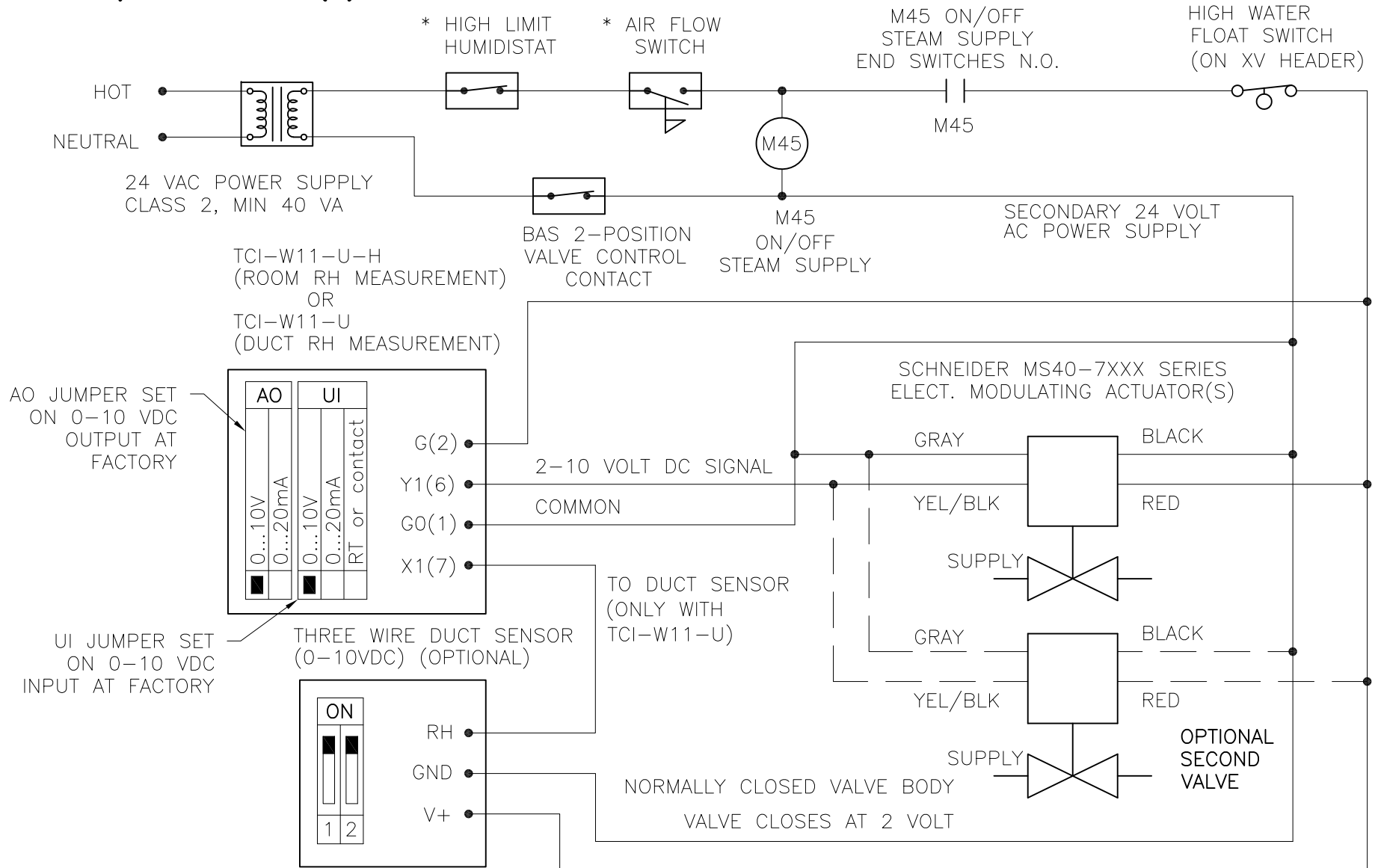


SCHNEIDER MS40-7XXX SERIES VALVE(S) W/TCI-W11-U-(H) HUMIDISTAT

DATE	REV	RECORD	DR
8/23	A	E.C.# 7179	JK

* OPTIONAL



SCHNEIDER MS40-7XXX SERIES VALVE(S) W/TCI-W11-U-(H) HUMIDISTAT	
MAT'L:	
SCALE:	P/N
DRAWN BY: JK	XV-BAS-6
DATE: 8/9/23	

