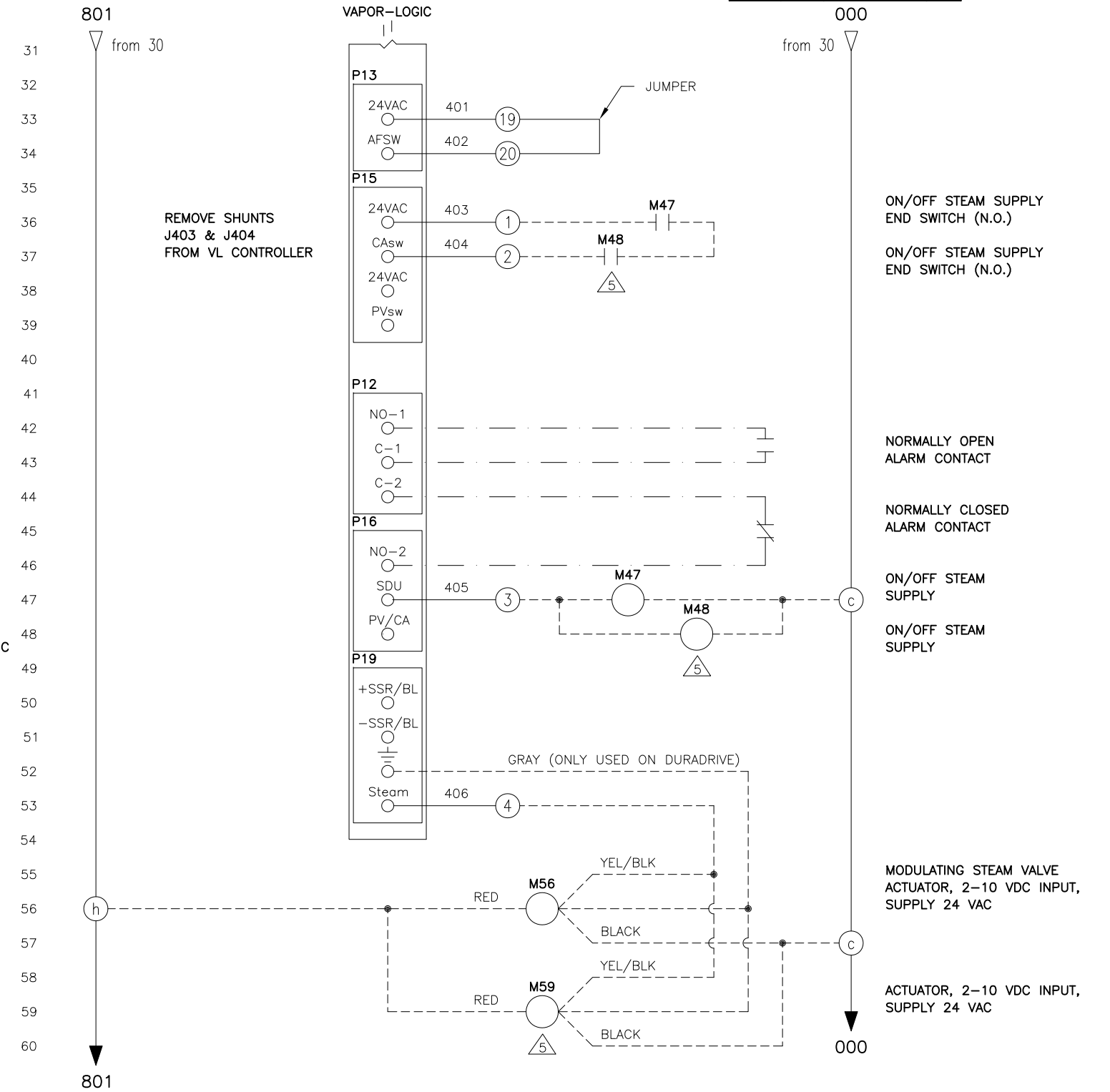
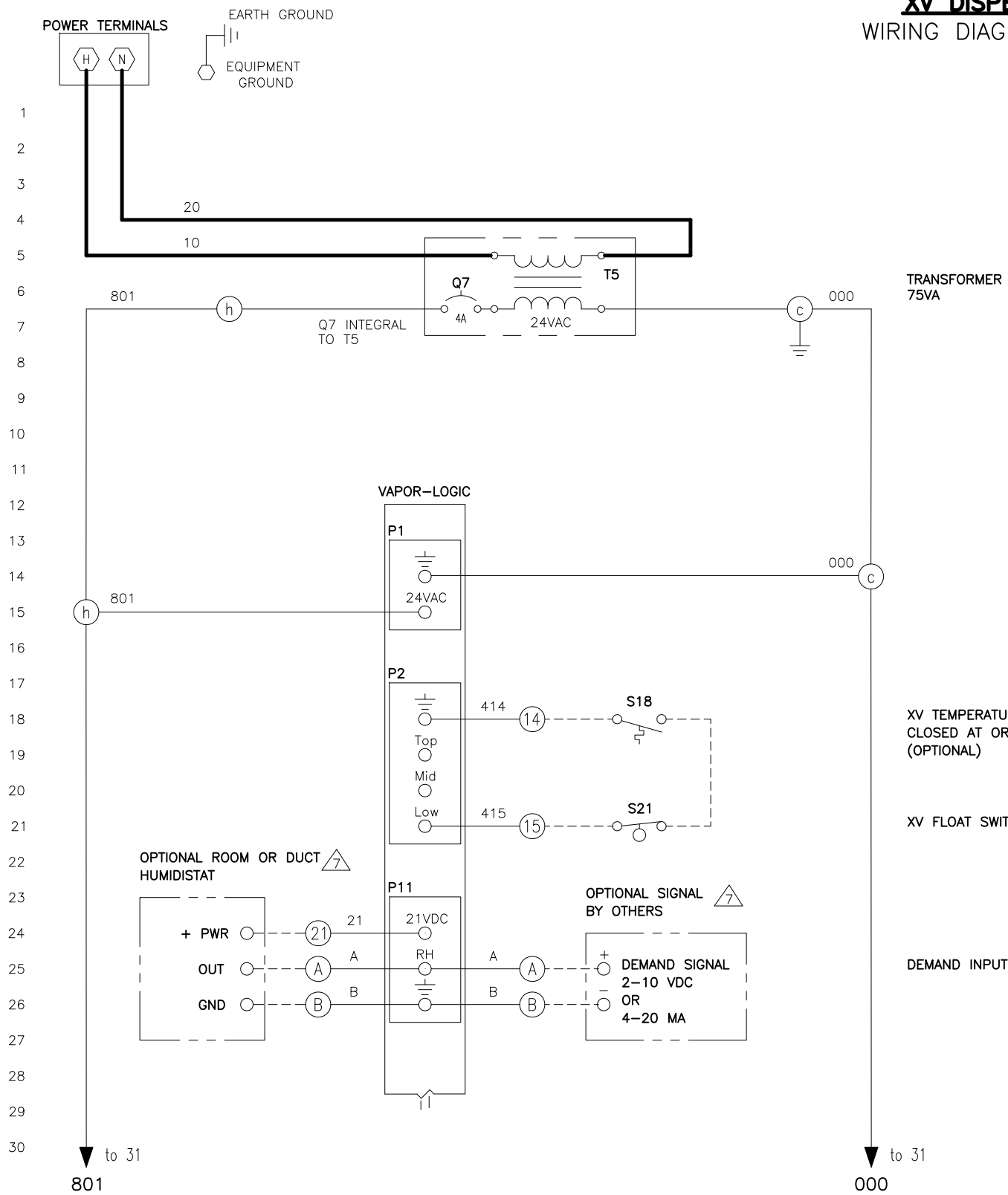


# XV DISPERSION WIRING DIAGRAM W/VL<sup>®</sup>

DATE	REV	RECORD	DR
1/17	B	E.C.# 6521	JK
6/17	C	E.C.# 6566	JK
5/18	D	E.C.# 6690	JK



**POWER WIRING**  
CONTROL CIRCUIT WIRING  
FIELD WIRING  
OPTIONAL FACTORY  
OPTIONAL FIELD

**NOTES:**

1. WIRING AND BRANCH CIRCUIT PROTECTION PROVIDED BY INSTALLER AS PER NATIONAL ELECTRICAL CODE.
2. FOR SUPPLY AND MACHINE GROUND CONNECTIONS, SIZE WIRE USING 75°C WIRE TABLE PER NATIONAL ELECTRICAL CODE.
3. USE COPPER CONNECTORS RATED FOR 105°C.

4. REFER TO ELECTRICAL DATA SHEET.

△ FOR DUAL VALVE

6. THIS PRODUCT WAS FACTORY TESTED FOR PROPER OPERATION. FAULTY HANDLING, OR WIRING IS NOT COVERED UNDER DriSteem's WARRANTY.

△ INPUT SIGNAL OPTIONS: HUMIDISTAT, OR SIGNAL BY OTHERS.

BREAK TO EXTERNAL CONNECTIONS DIAGRAM

**LEGEND**

- |                   |               |
|-------------------|---------------|
| K RELAY/CONTACTOR | Y SOLENOID    |
| T TRANSFORMER     | N SENSOR      |
| Q CIRCUIT BREAKER | J JUMPER      |
| S SWITCH          | E WATER PROBE |
| H HEATER          | M MOTOR/FAN   |

<b>drSteem</b>		<b>XV WIRING DIAGRAM</b>	
		MAT'L:	P/N
SCALE:	DATE: 4/14/15	XV-VL-1	
DRAWN BY: JK			