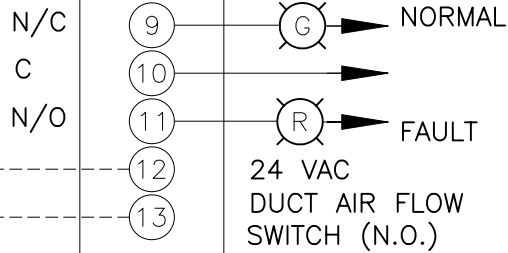
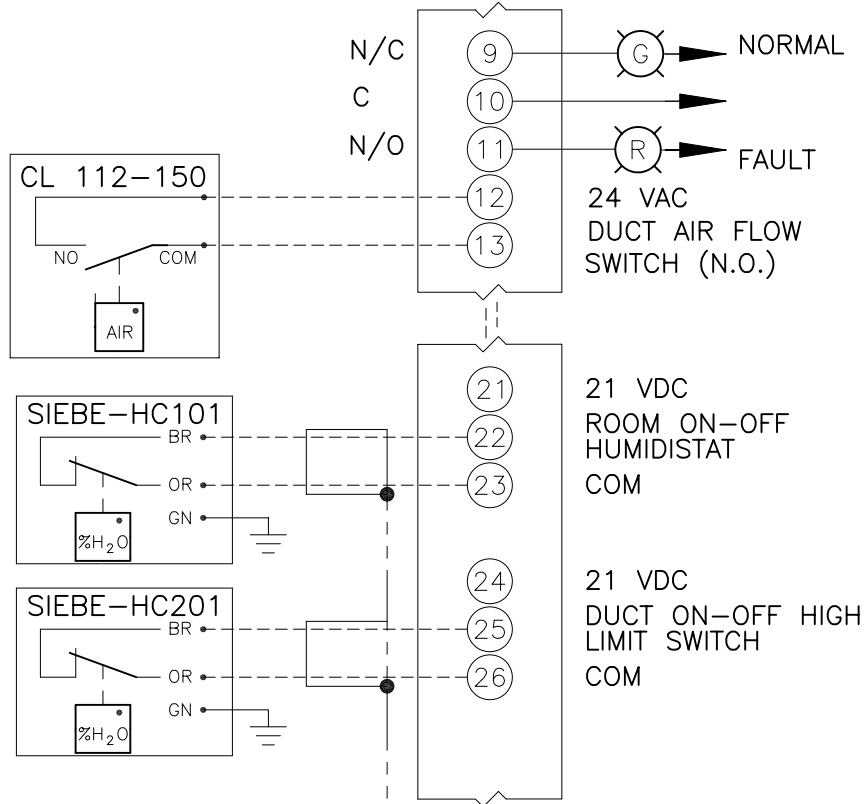


VAPOR-LOGIC® 3 EXTERNAL CONNECTIONS DIAGRAM

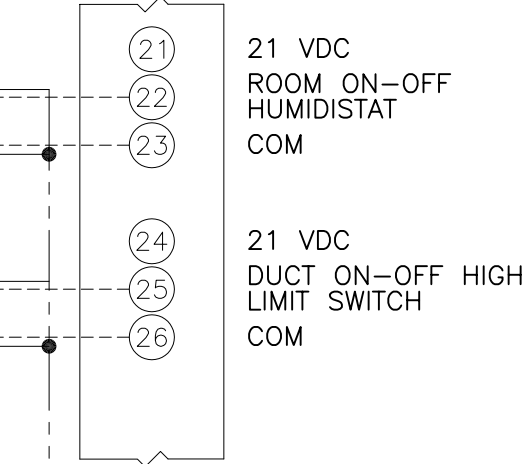
CONTROL ARRANGEMENT: OON

ROOM ON-OFF HUMIDISTAT W/ DUCT ON-OFF HIGH LIMIT

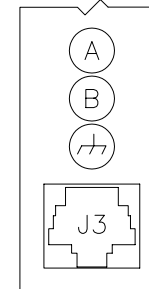
VAPOR LOGIC 3



ALARM RELAY
(24VAC, 1 AMP MAX
OPTIONAL BY OTHERS)

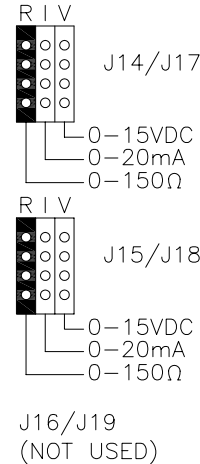


VAPOR LOGIC 3



LONWORKS CONNECTION
TWISTED PAIR
(USED FOR NETWORK)

VAPOR LOGIC 3
NETWORK CONNECTION (8-WIRE)



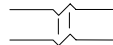
JUMPERS (J14/J17), (J15/J18),
AND (J16/J19) CONFIGURE
THEIR ANALOG INPUT
TO ACCEPT A RESISTANCE,
CURRENT, OR VOLTAGE INPUT.

NOTE: CHANGING CONTROL INPUT SIGNAL
REQUIRES SOFTWARE AND INPUT JUMPER
MODIFICATION. PLEASE REFER TO
VAPOR LOGIC 3 INSTALLATION AND OPERATION,
MANUAL (IOM).

CONTROL PANEL
SHIELD GND LUG

POWER WIRING
CONTROL CIRCUIT
WIRING

LEGEND



FIELD WIRING

BREAK TO FACTORY WIRING DIAGRAM