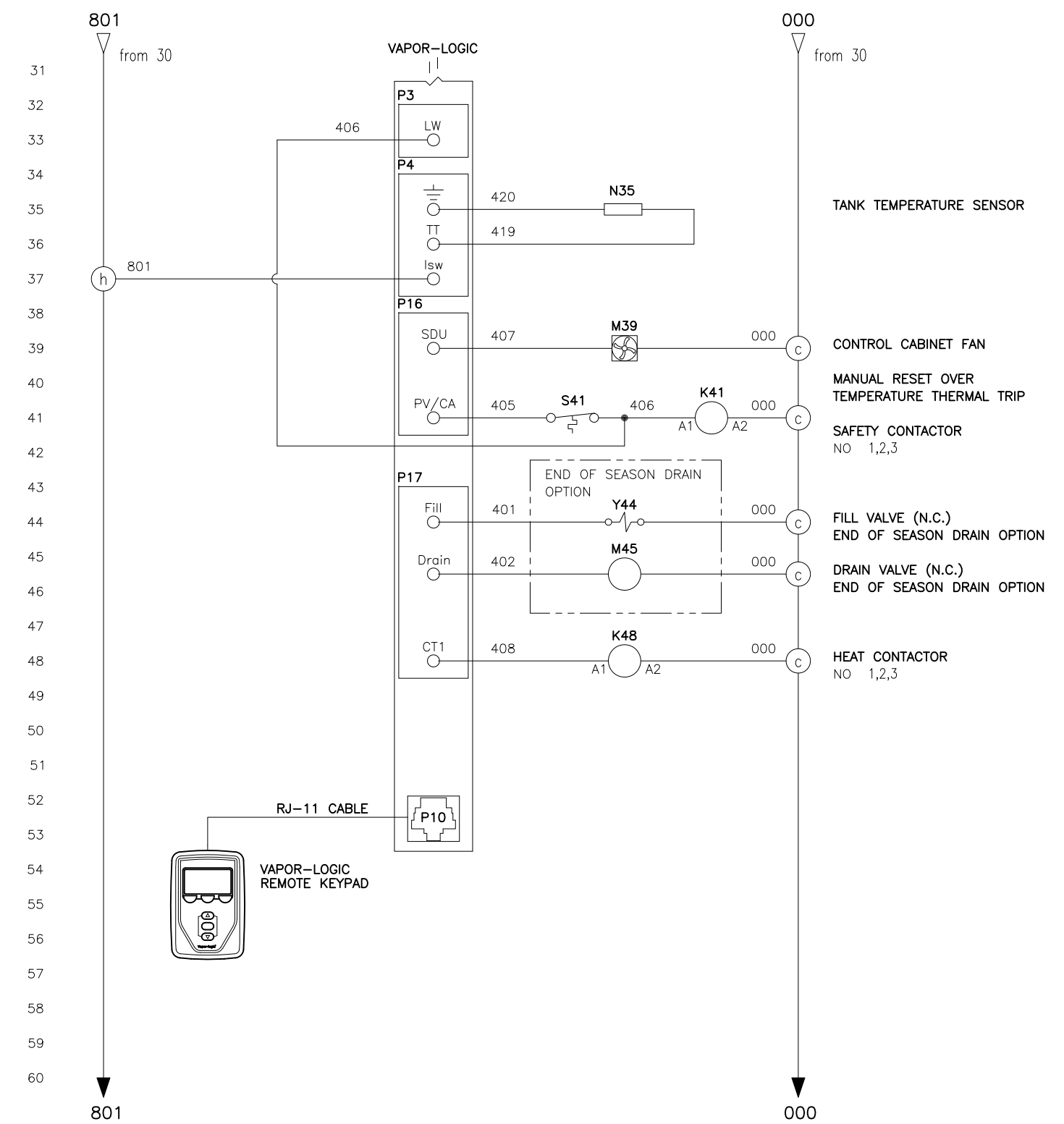
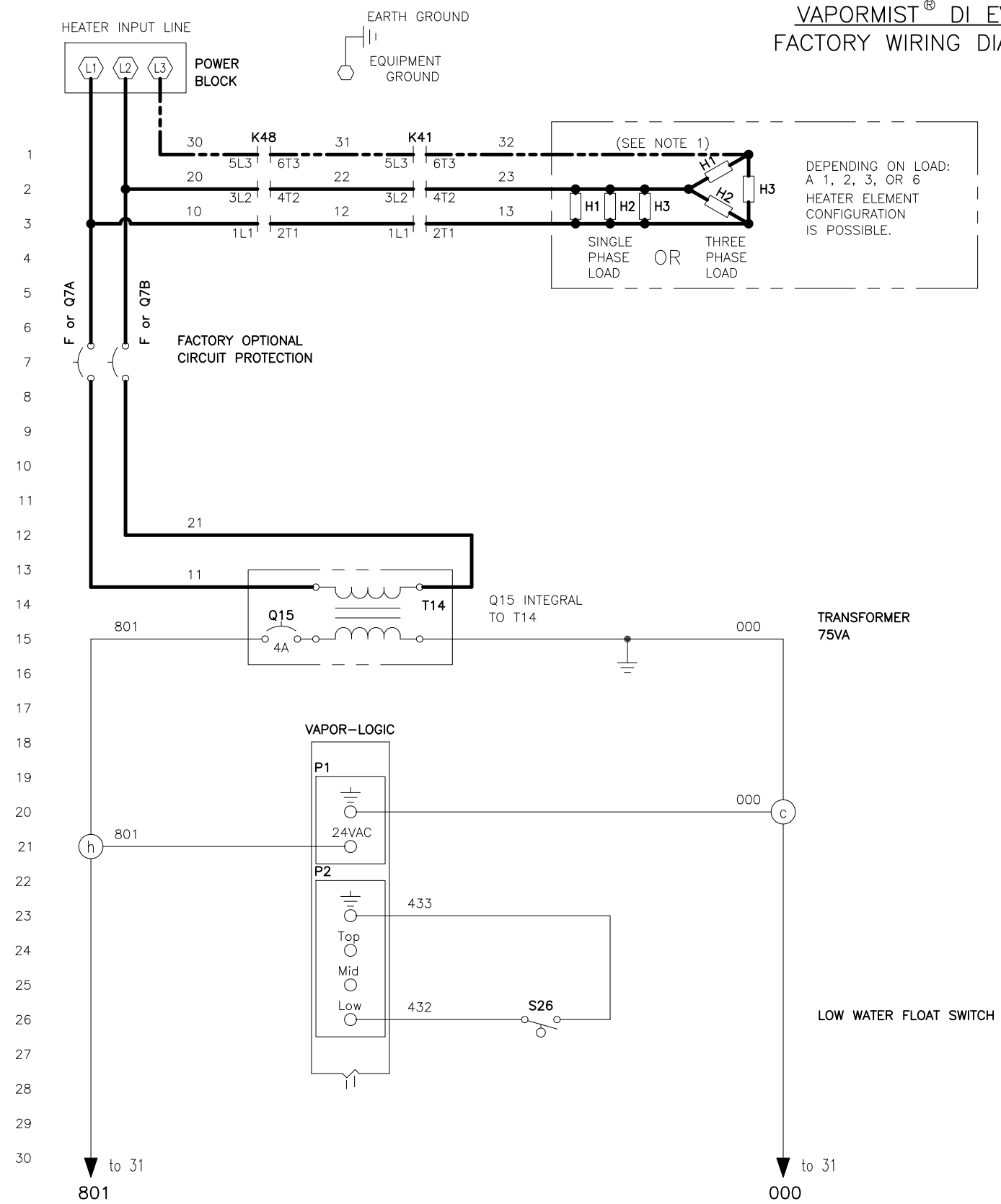


# VAPORMIST® DI EVAPORATIVE HUMIDIFIER FACTORY WIRING DIAGRAM WITH VAPOR-LOGIC

| DATE | REV | RECORD     | DR |
|------|-----|------------|----|
| 5/15 | A   | E.C.# 6396 | JK |
| 4/17 | B   | E.C.# 6551 | JK |
| 4/21 | C   | E.C.# 6969 | JK |



NOTES:

- FOR THREE PHASE SYSTEM, THE THREE PHASE LOAD IS USED AND THIS WIRE IS FACTORY INSTALLED.
- REFER TO VM ELECTRICAL DATA SHEET.

POWER WIRING

CONTROL CIRCUIT WIRING

FIELD WIRING

OPTIONAL FACTORY

OPTIONAL FIELD

LEGEND

- |   |                 |   |             |
|---|-----------------|---|-------------|
| K | RELAY/CONTACTOR | Y | SOLENOID    |
| T | TRANSFORMER     | N | SENSOR      |
| Q | CIRCUIT BREAKER | J | JUMPER      |
| S | SWITCH          | E | WATER PROBE |
| H | HEATER          | M | MOTOR/FAN   |
| F | FUSE            |   |             |

BREAK TO EXTERNAL CONNECTIONS DIAGRAM

|              |               |                         |     |
|--------------|---------------|-------------------------|-----|
|              |               | VM, DI<br>WATER DIAGRAM |     |
|              |               | MAT'L:                  | P/N |
| SCALE:       | DATE: 5/15/15 | VM-VL-2                 |     |
| DRAWN BY: JK |               |                         |     |