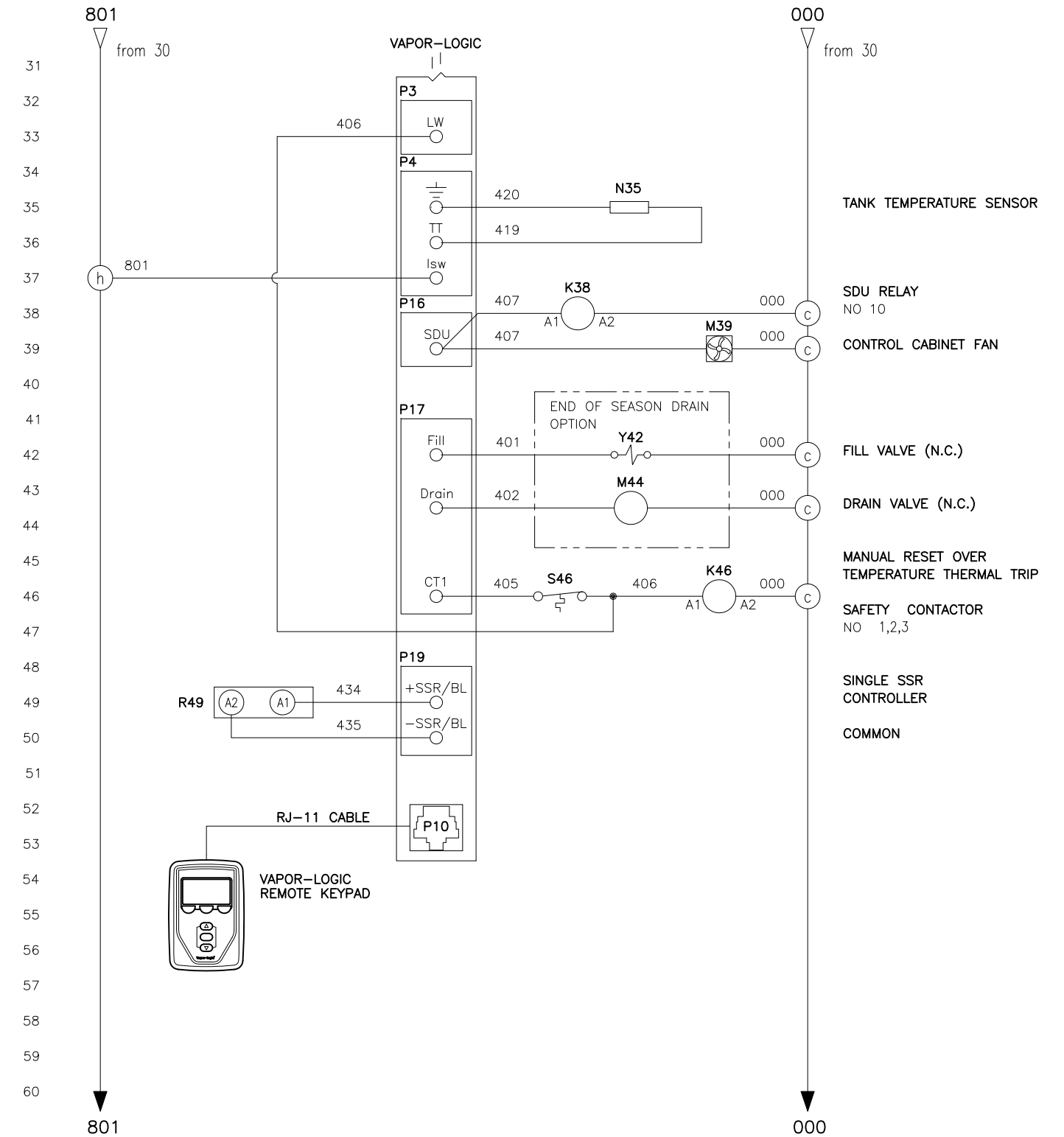
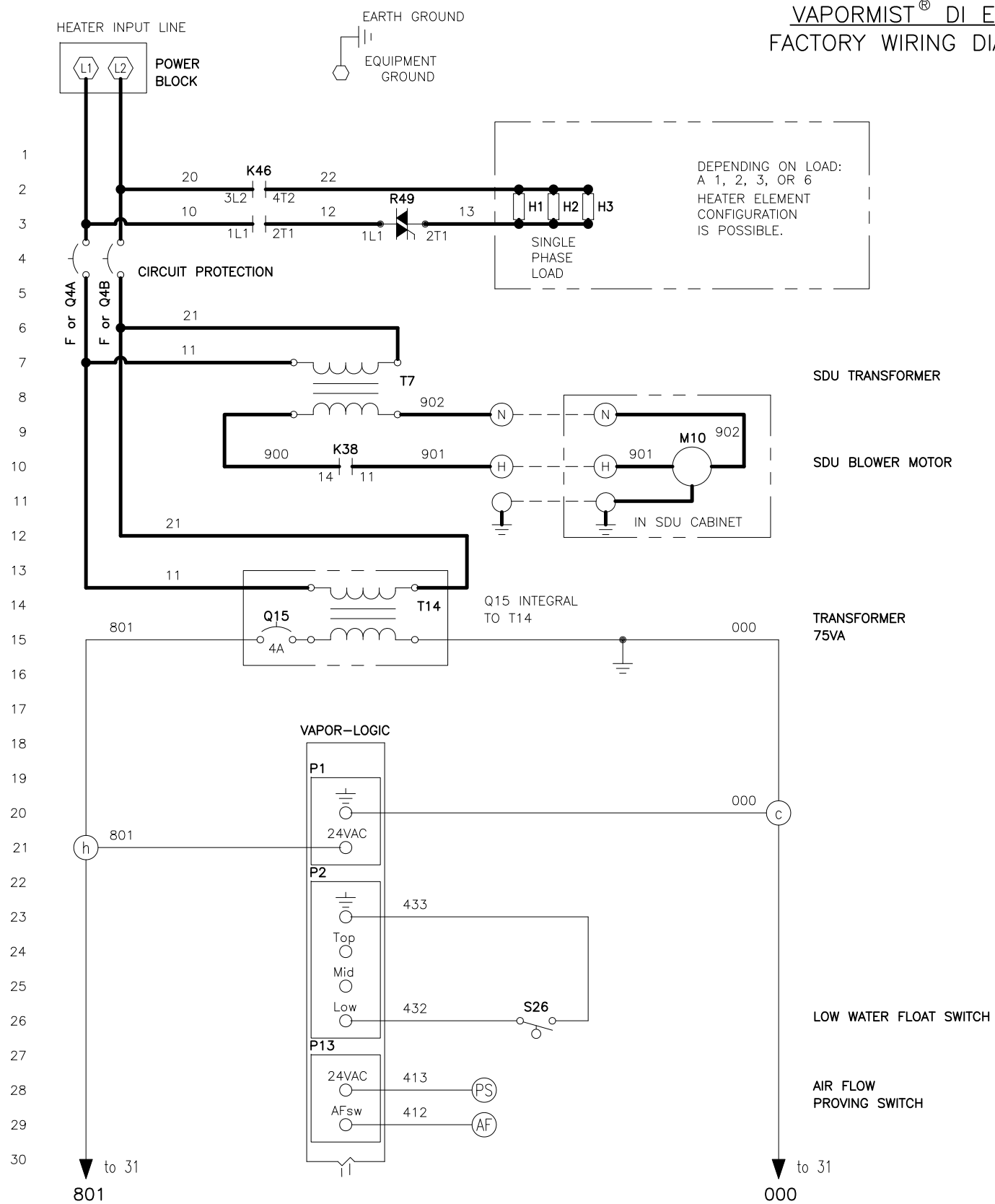


VAPORMIST® DI EVAPORATIVE HUMIDIFIER FACTORY WIRING DIAGRAM WITH VAPOR-LOGIC

DATE	REV	RECORD	DR
5/15	A	E.C.# 6396	JK
4/17	B	E.C.# 6551	JK



NOTE:
1. REFER TO VM ELECTRICAL DATA SHEET.

POWER WIRING
CONTROL CIRCUIT WIRING
FIELD WIRING
OPTIONAL FACTORY
OPTIONAL FIELD

LEGEND

K	RELAY/CONTACTOR	Y	SOLENOID
T	TRANSFORMER	N	SENSOR
Q	CIRCUIT BREAKER	J	JUMPER
S	SWITCH	E	WATER PROBE
H	HEATER	M	MOTOR/FAN
F	FUSE	R	SOLID STATE RELAY

BREAK TO EXTERNAL CONNECTIONS DIAGRAM

		VM, DI WATER, SSR, SDU W/TRANSFORMER WIRING DIAGRAM	
		MAT'L:	P/N
SCALE:	DATE:	VM-VL-43	
DRAWN BY: JK	DATE: 5/18/15		