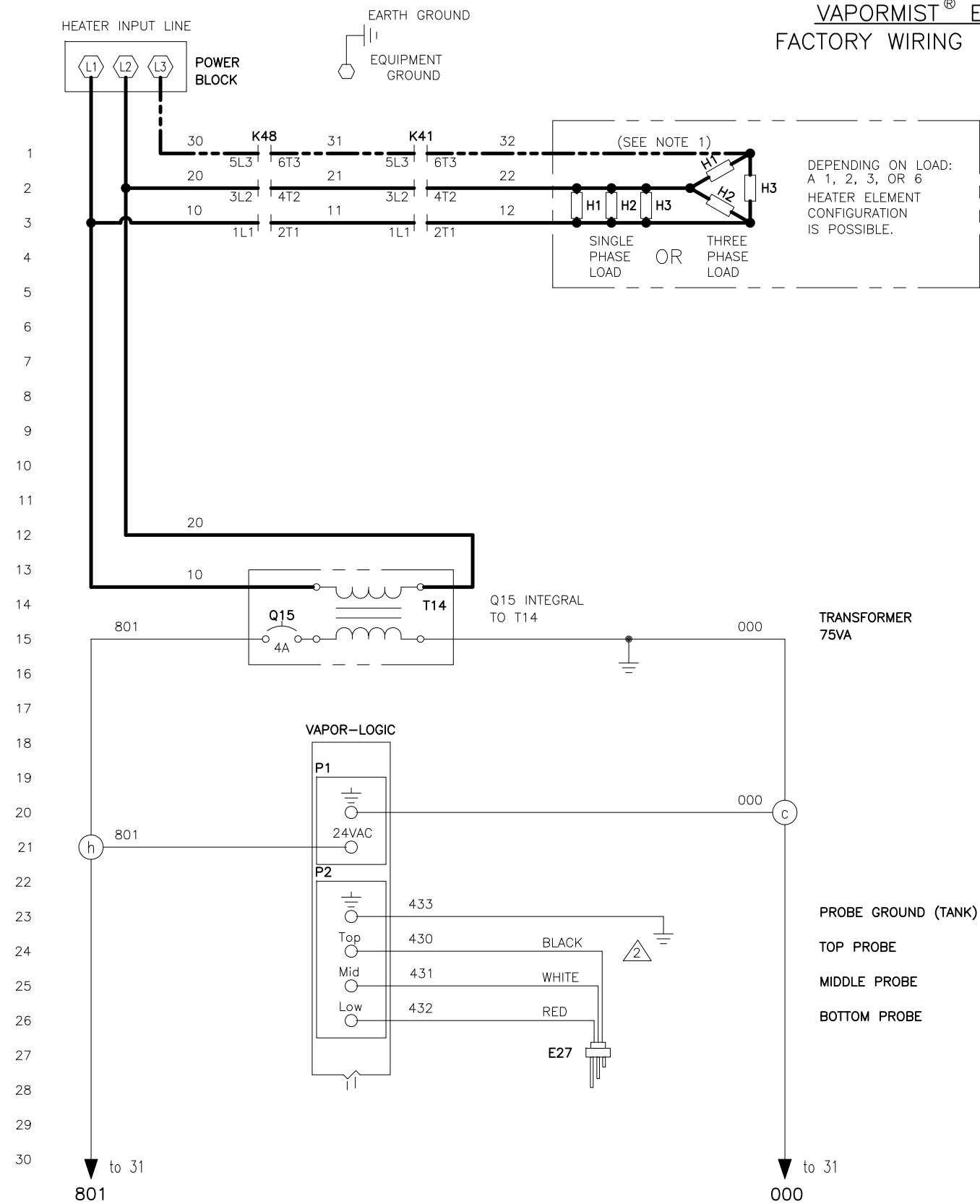


VAPORMIST® EVAPORATIVE HUMIDIFIER FACTORY WIRING DIAGRAM WITH VAPOR-LOGIC

DATE	REV	RECORD	DR
1/13	A	E.C.# 5985	JK
3/13	B	E.C.# 6053	JK
1/14	C	E.C.# 6172	JK



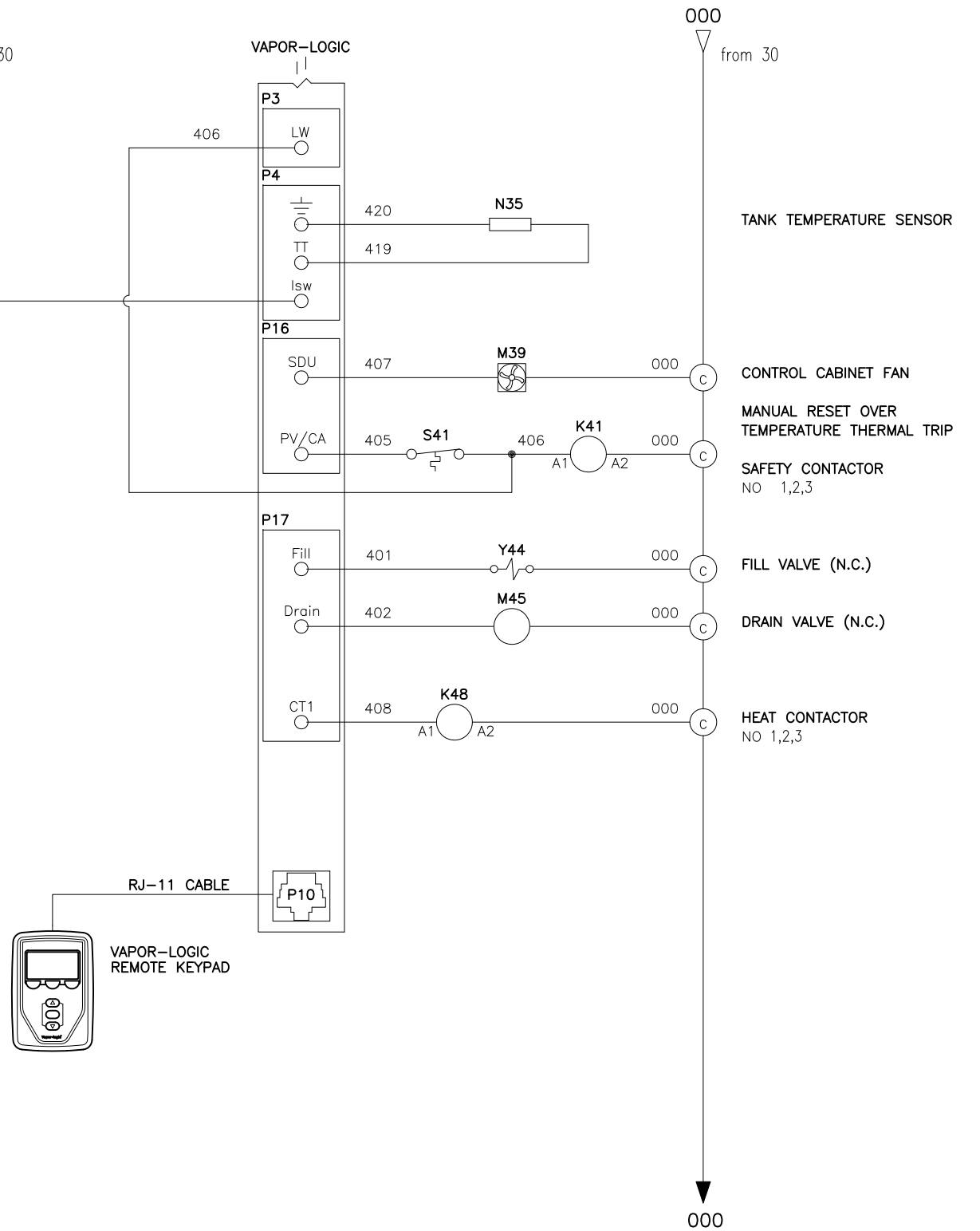
NOTES:

- FOR THREE PHASE SYSTEM, THE THREE PHASE LOAD IS USED AND THIS WIRE IS FACTORY INSTALLED.
- WATER LEVEL PROBE GROUND MUST BE CONNECTED TO TANK FOR PROPER HUMIDIFIER OPERATION.
- REFER TO VM ELECTRICAL DATA SHEET.

POWER WIRING
CONTROL CIRCUIT WIRING
FIELD WIRING
OPTIONAL FACTORY
OPTIONAL FIELD

LEGEND

K	RELAY/CONTACTOR	Y	SOLENOID
T	TRANSFORMER	N	SENSOR
Q	CIRCUIT BREAKER	J	JUMPER
S	SWITCH	E	WATER PROBE
H	HEATER	M	MOTOR/FAN
F	FUSE		



BREAK TO EXTERNAL CONNECTIONS DIAGRAM

	VM, STANDARD WATER DIAGRAM	
	MAT'L:	P/N
	SCALE:	VM-VL5-1
	DATE: 1/11/13	