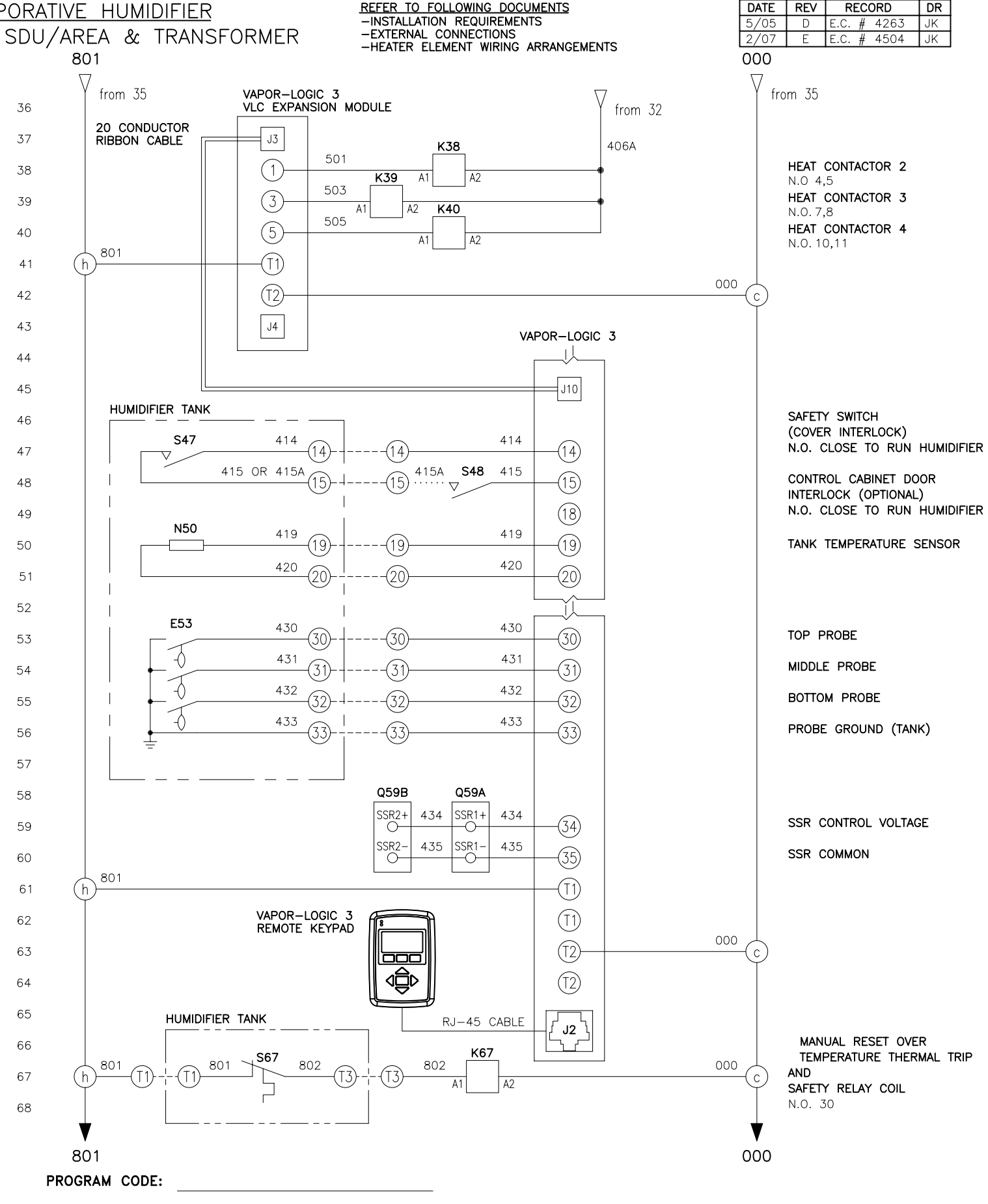
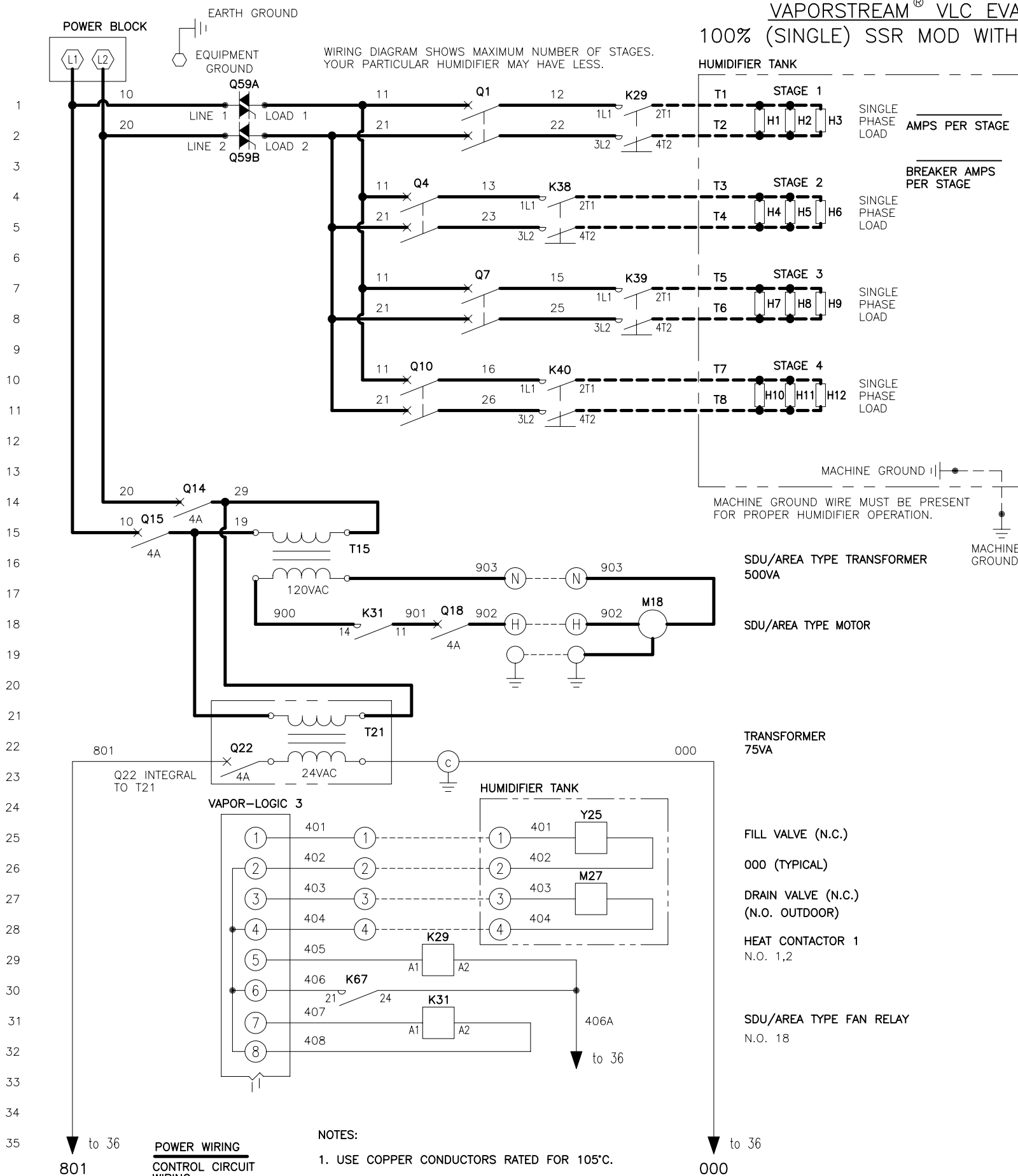


VAPORSTREAM[®] VLC EVAPORATIVE HUMIDIFIER

100% (SINGLE) SSR MOD WITH SDU/AREA & TRANSFORMER

REFER TO FOLLOWING DOCUMENTS
 -INSTALLATION REQUIREMENTS
 -EXTERNAL CONNECTIONS
 -HEATER ELEMENT WIRING ARRANGEMENTS

DATE	REV	RECORD	DR
5/05	D	E.C. # 4263	JK
2/07	E	E.C. # 4504	JK



NOTES:
 1. USE COPPER CONDUCTORS RATED FOR 105°C.
 2. WIRING AND BRANCH CIRCUIT PROTECTION PROVIDED BY INSTALLER.

LEGEND:
 K RELAY/CONTACTOR, T TRANSFORMER, Q CIRCUIT BREAKER, S SWITCH, H HEATER, Y SOLENOID, N SENSOR, J JUMPER, E WATER PROBE, M MOTOR/FAN

BREAK TO EXTERNAL CONNECTIONS DIAGRAM

PROGRAM CODE: _____
 MODEL: _____
 ORDER NO: _____
 PRIMARY VOLTAGE: _____ PH: 1 HZ: 50
 TOTAL UNIT AMPS: _____

EUROPEAN VLC, STD WATER, SSR, SDU W/TRANS DIAGRAM

DRISTEEM

SCALE: _____ P/N VLC-CE-VL3-27
 DRAWN BY: KROG
 DATE: 1/2/01