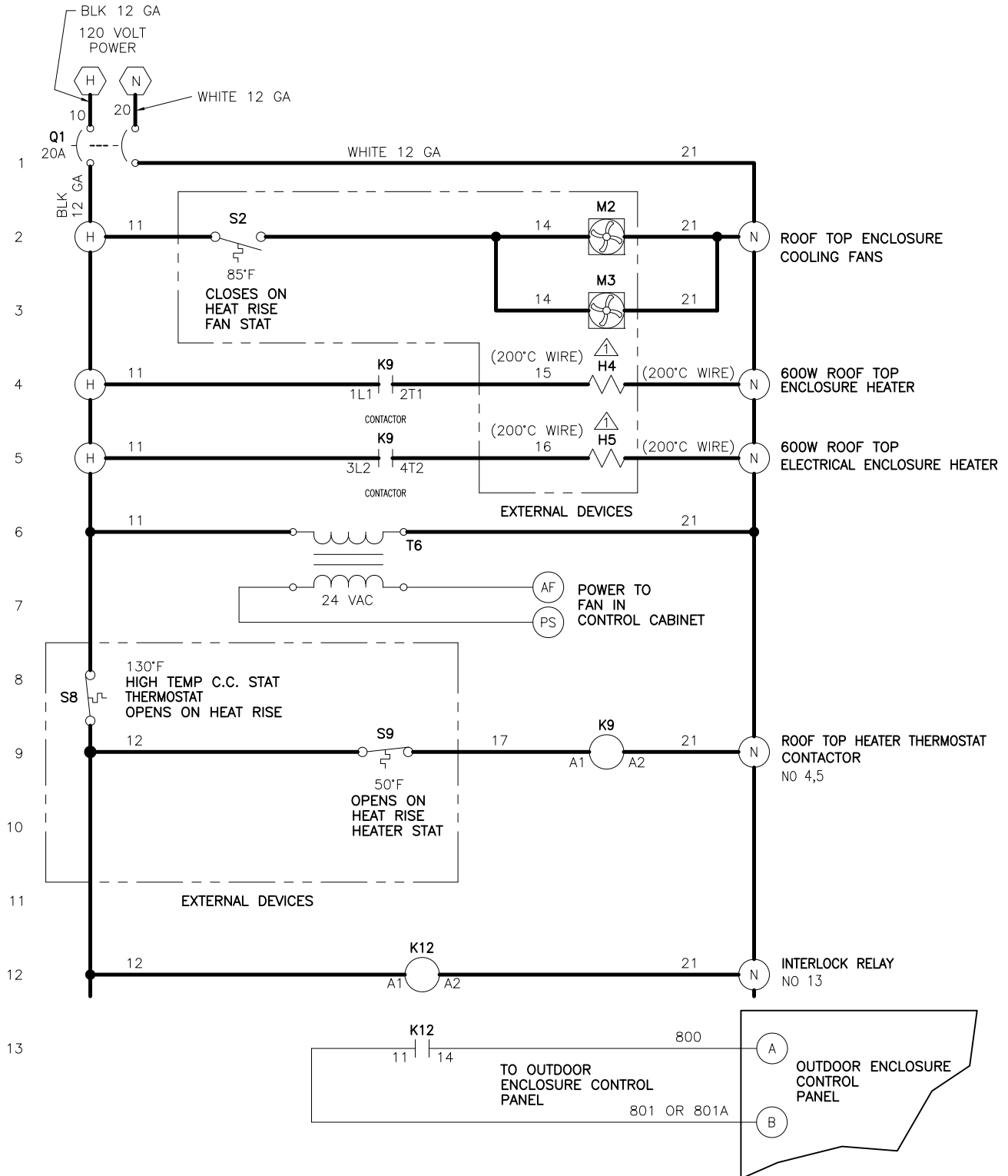


DATE	REV	RECORD	DR
5/15	A	E.C.# 6396	JK

NOTE:

1. USE UNINSULATED RING TERMINALS FOR TERMINATIONS AT HEATER LUGS.

2. ALL WIRING IS 14 GAUGE UNLESS NOTED OTHERWISE.



LEGEND

POWER WIRING

- K RELAY/CONTACTOR
- H HEATER
- Q CIRCUIT BREAKER
- S SWITCH
- M FAN

		VLC VL OUTDOOR ENCLOSURE WIRING DIAGRAM	
		MAT'L:	
SCALE:		P/N	
DRAWN BY: JK		VLC-VL-73	
DATE: 5/15/15			