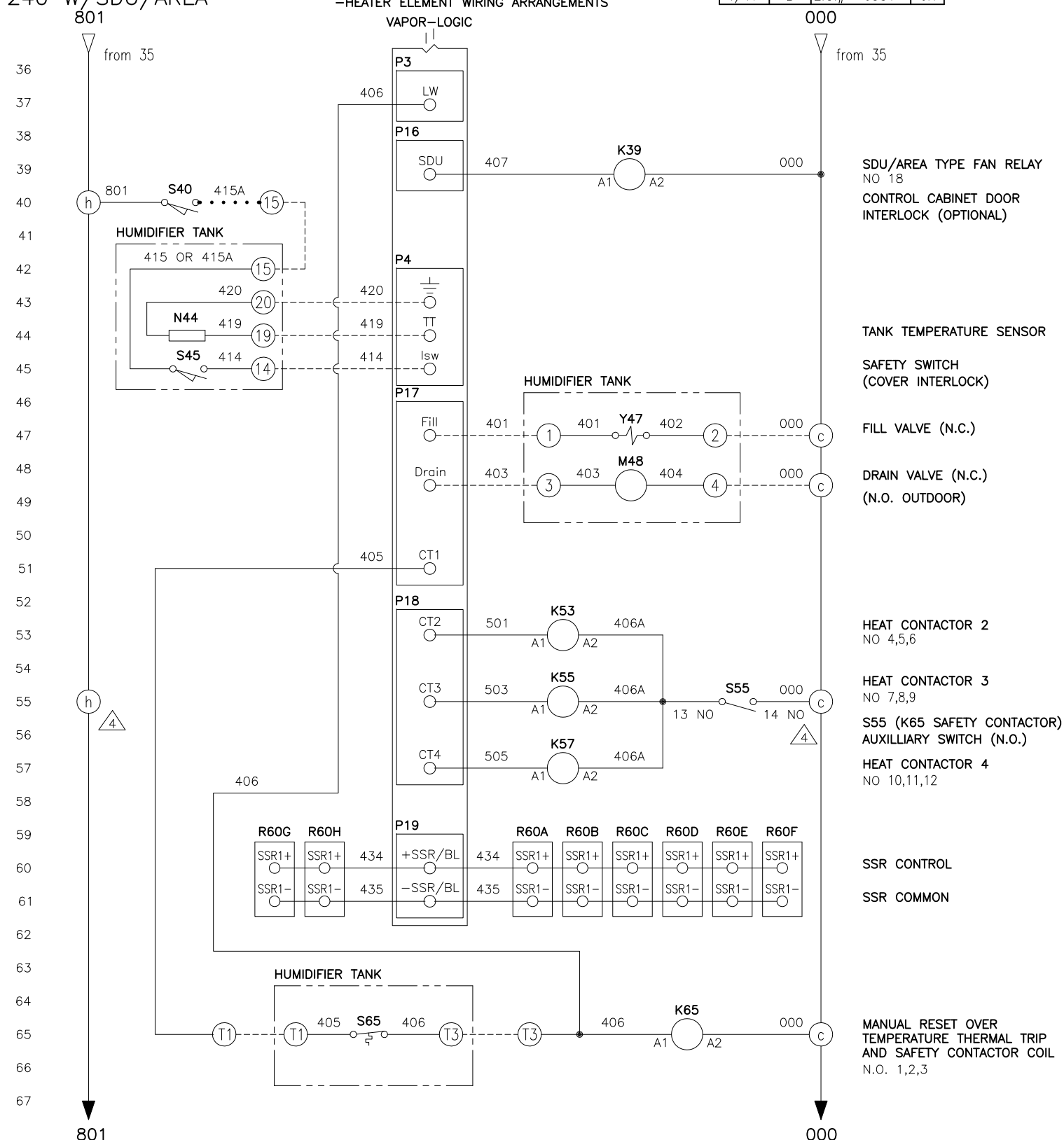
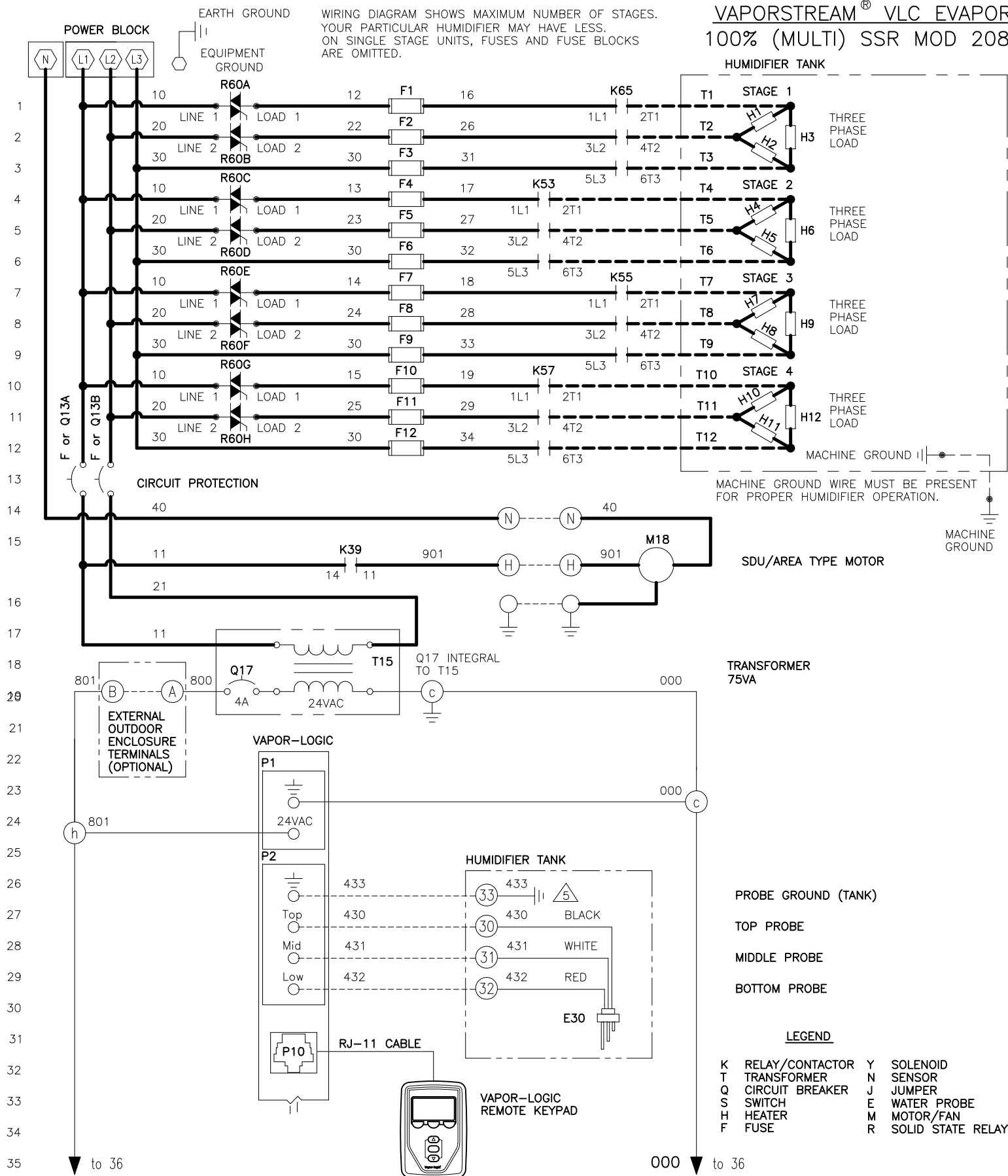


VAPORSTREAM® VLC EVAPORATIVE HUMIDIFIER

100% (MULTI) SSR MOD 208/240 W/SDU/AREA

REFER TO FOLLOWING DOCUMENTS
 -INSTALLATION REQUIREMENTS
 -EXTERNAL CONNECTIONS
 -HEATER ELEMENT WIRING ARRANGEMENTS

DATE	REV	RECORD	DR
5/15	A	E.C.# 6396	JK
4/17	B	E.C.# 6551	JK



801 to 36
 000 to 36

POWER WIRING
 CONTROL CIRCUIT WIRING
 FIELD WIRING
 OPTIONAL FACTORY
 OPTIONAL FIELD

- NOTES:
1. WIRING AND BRANCH CIRCUIT PROTECTION PROVIDED BY INSTALLER AS PER NATIONAL ELECTRICAL CODE.
 2. FOR SUPPLY HEATER AND MACHINE GROUND CONNECTIONS, SIZE WIRE USING 75°C WIRE TABLE PER NATIONAL ELECTRICAL CODE.
 3. USE COPPER CONNECTORS RATED FOR 105°C.
 4. REFER TO AUXILIARY TRANSFORMER WIRING DIAGRAM FOR ALL MULTIPLE STAGE WITH HIGH VA DRAW, WHEN TWO TRANSFORMERS ARE PRESENT.

5. WATER LEVEL PROBE GROUND MUST BE CONNECTED TO TANK FOR PROPER HUMIDIFIER OPERATION.
6. REFER TO VLC ELECTRICAL DATA SHEET.

BREAK TO EXTERNAL CONNECTIONS DIAGRAM

		VLC, STD, MULTI SSR 208/240V SINGLE PT POWER	
		MATL:	P/N VLC-VL-80
SCALE:		DATE: 5/15/15	DRAWN BY: JK