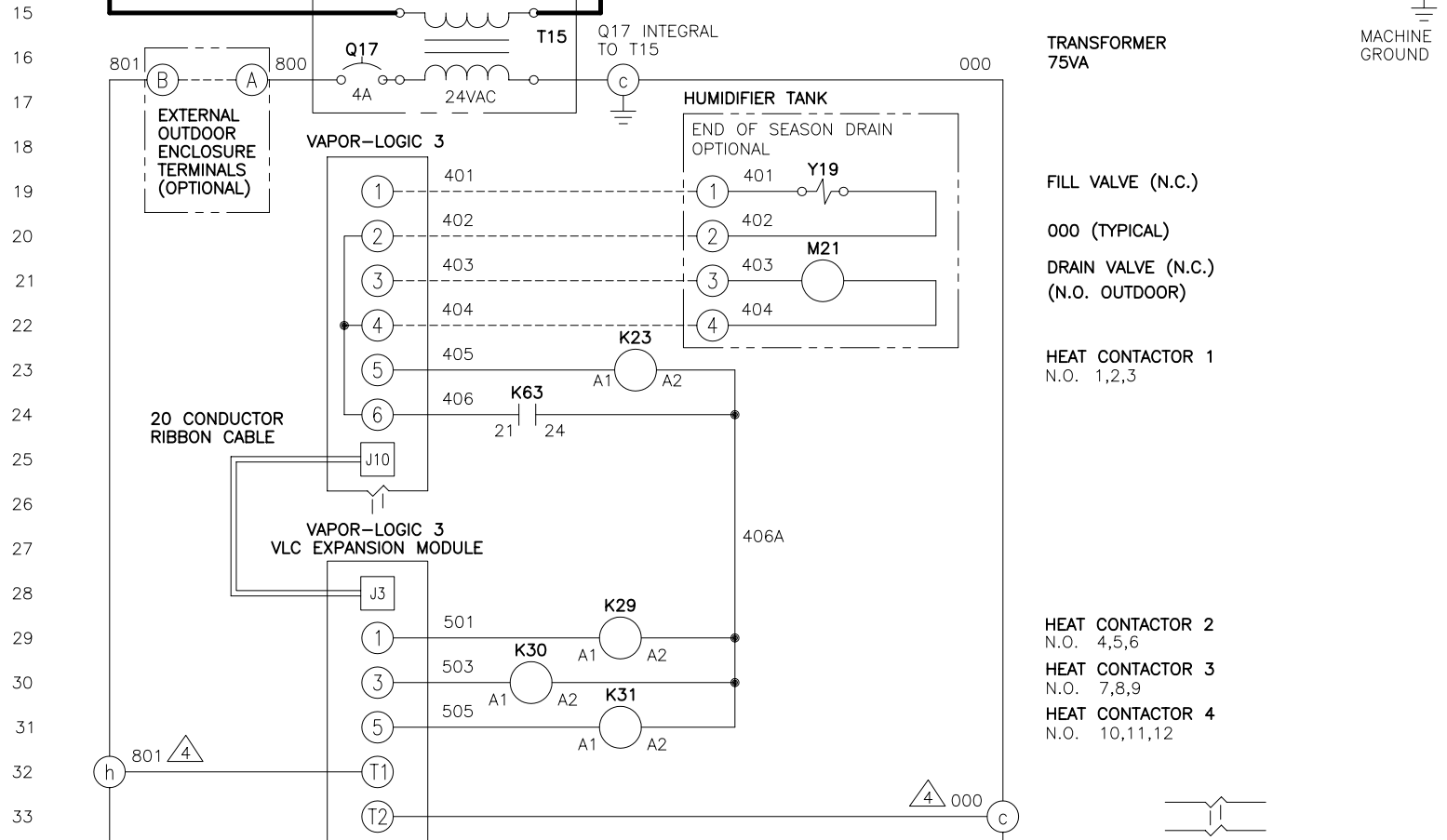
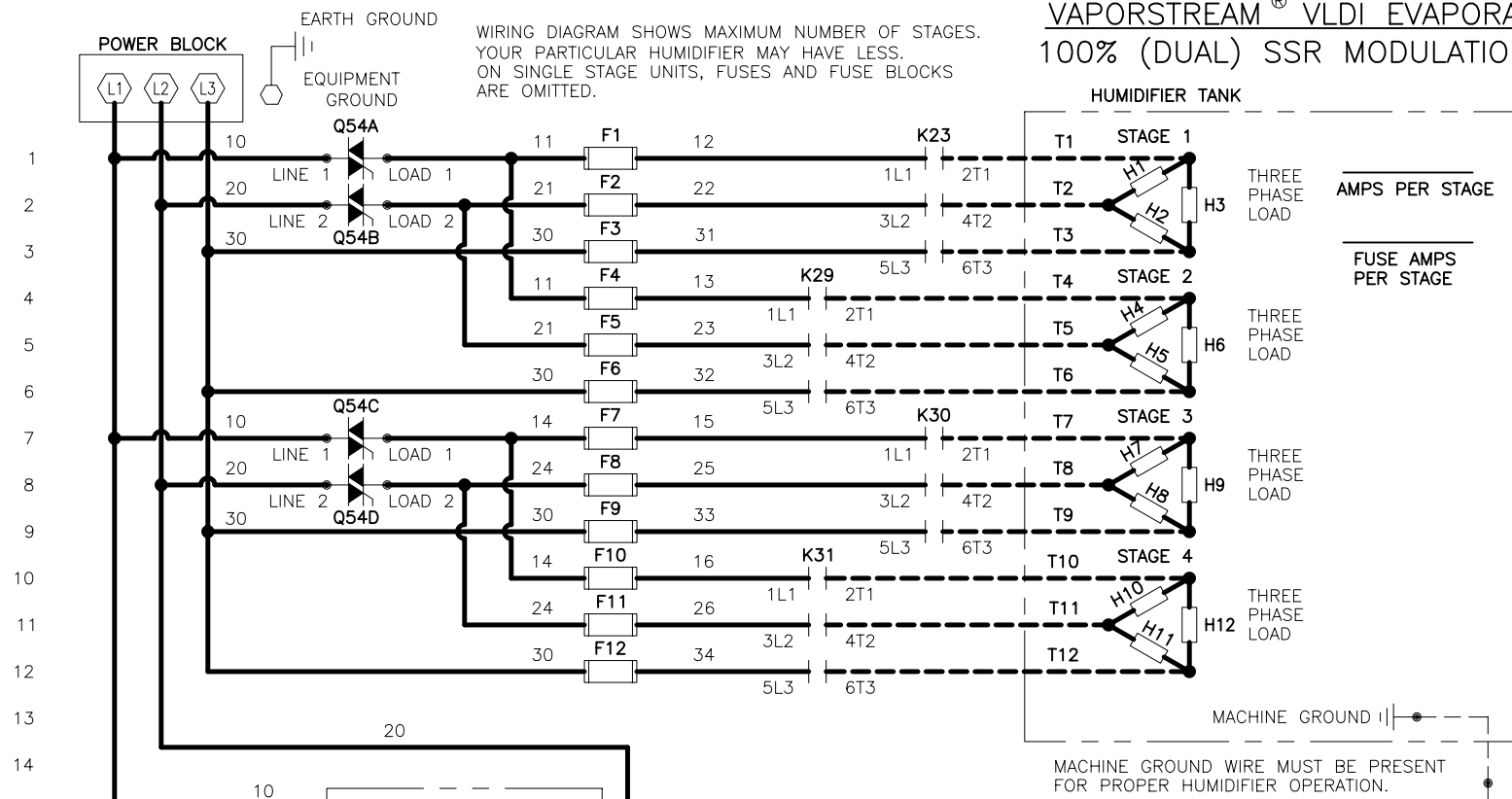


VAPORSTREAM® VLDI EVAPORATIVE HUMIDIFIER
100% (DUAL) SSR MODULATION (NO SDU/AREA)

REFER TO FOLLOWING DOCUMENTS
-INSTALLATION REQUIREMENTS
-EXTERNAL CONNECTIONS
-HEATER ELEMENT WIRING ARRANGEMENTS

DATE	REV	RECORD	DR
9/03	D	E.C. # 3988	JK
5/05	E	E.C. # 4263	JK

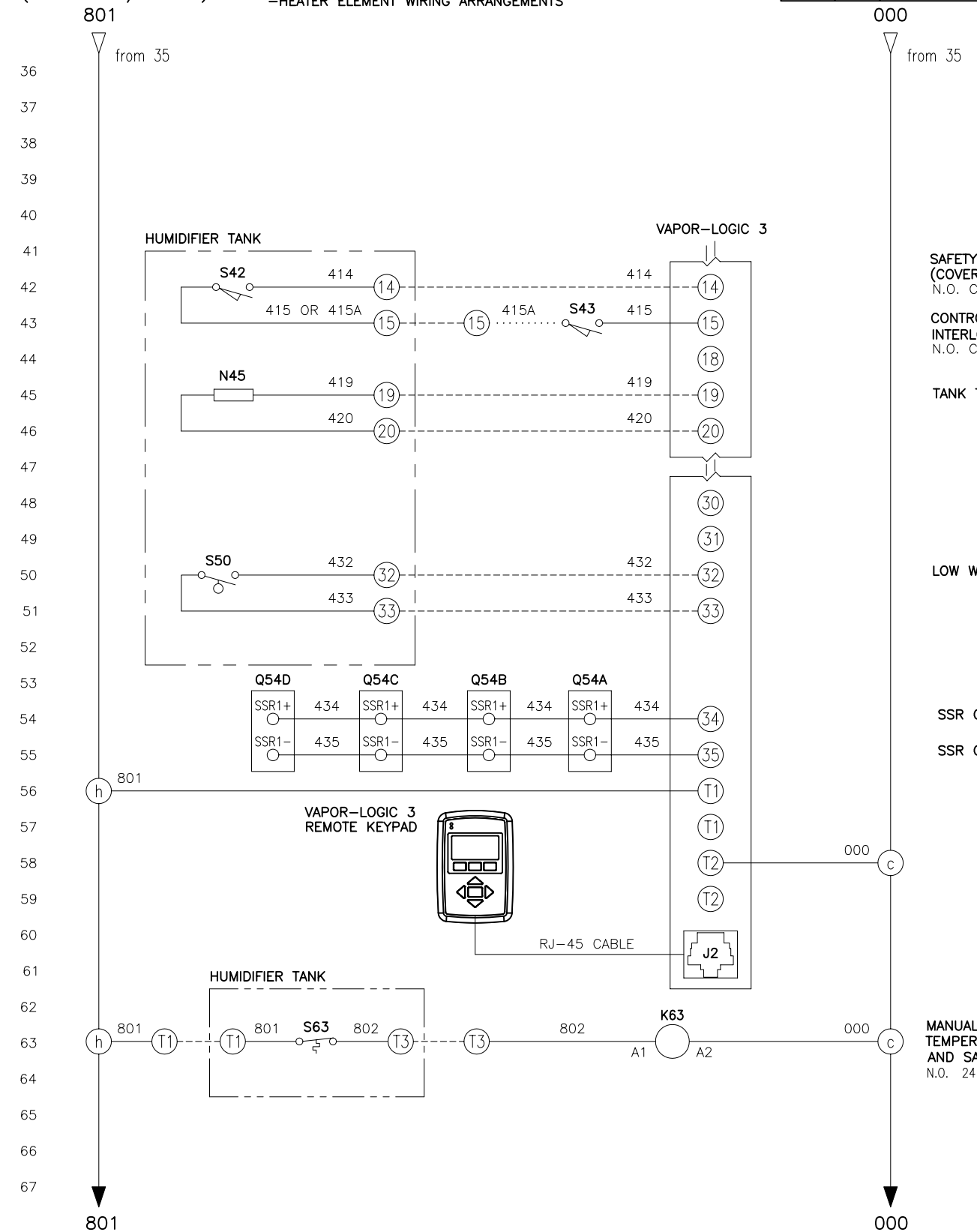


- NOTES:
1. WIRING AND BRANCH CIRCUIT PROTECTION PROVIDED BY INSTALLER AS PER NATIONAL ELECTRICAL CODE.
 2. FOR SUPPLY HEATER AND MACHINE GROUND CONNECTIONS, SIZE WIRE USING 75°C WIRE TABLE PER NATIONAL ELECTRICAL CODE.
 3. USE COPPER CONNECTORS RATED FOR 105°C.
4. REFER TO AUXILIARY TRANSFORMER WIRING DIAGRAM FOR ALL MULTIPLE STAGE WITH MERCURY CONTACTOR.

BREAK TO EXTERNAL CONNECTIONS DIAGRAM

LEGEND

K RELAY/CONTACTOR	Y SOLENOID
T TRANSFORMER	N SENSOR
Q CIRCUIT BREAKER	J JUMPER
S SWITCH	E WATER PROBE
H HEATER	M MOTOR/FAN
F FUSE	



PROGRAM CODE: _____
MODEL: _____
ORDER NO: _____
PRIMARY VOLTAGE: _____ PH: 3 HZ: 60
TOTAL UNIT AMPS: _____

	DOMESTIC VLDI, DI WATER, (2) SSR'S DIAGRAM	
	MAT'L:	P/N
	SCALE:	DATE: 3/29/01

A SUBSIDIARY OF RESEARCH PRODUCTS CORPORATION
Eden Prairie, MN

CH
VLC-VL3-16

POWER WIRING
CONTROL CIRCUIT WIRING
FIELD WIRING
OPTIONAL FACTORY
OPTIONAL FIELD