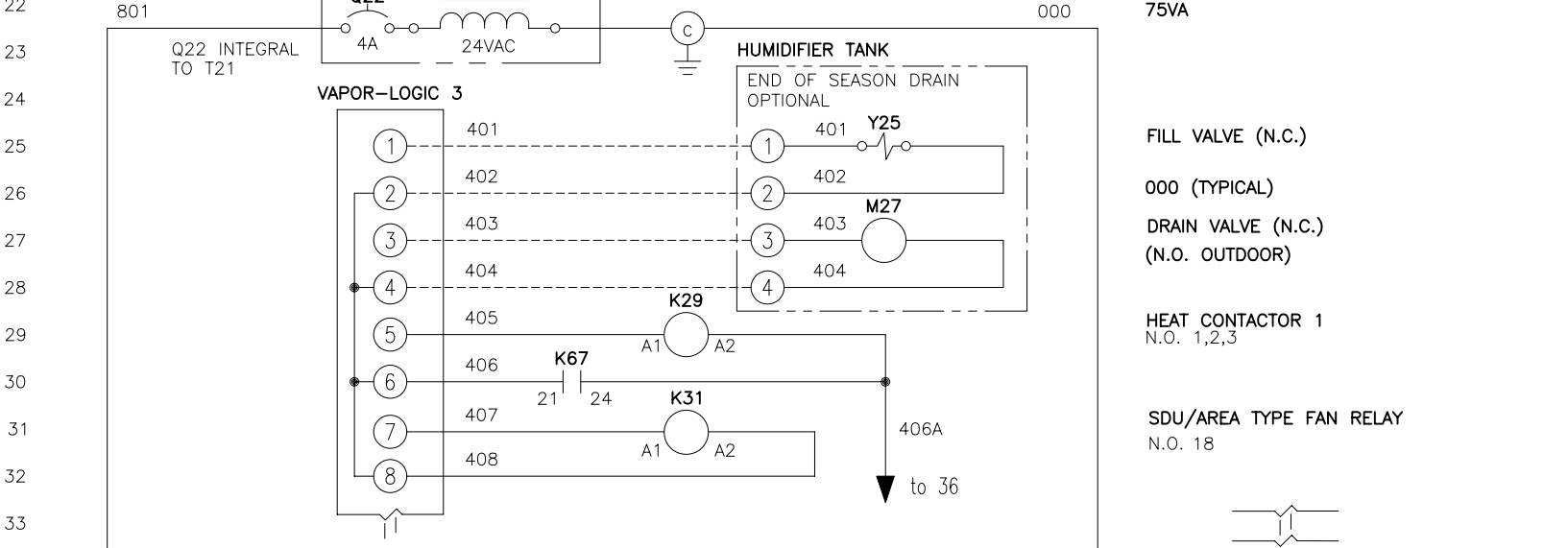
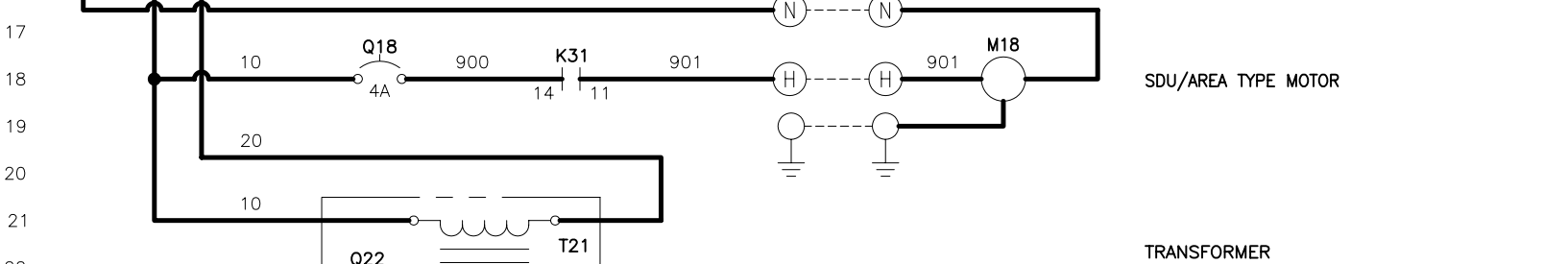
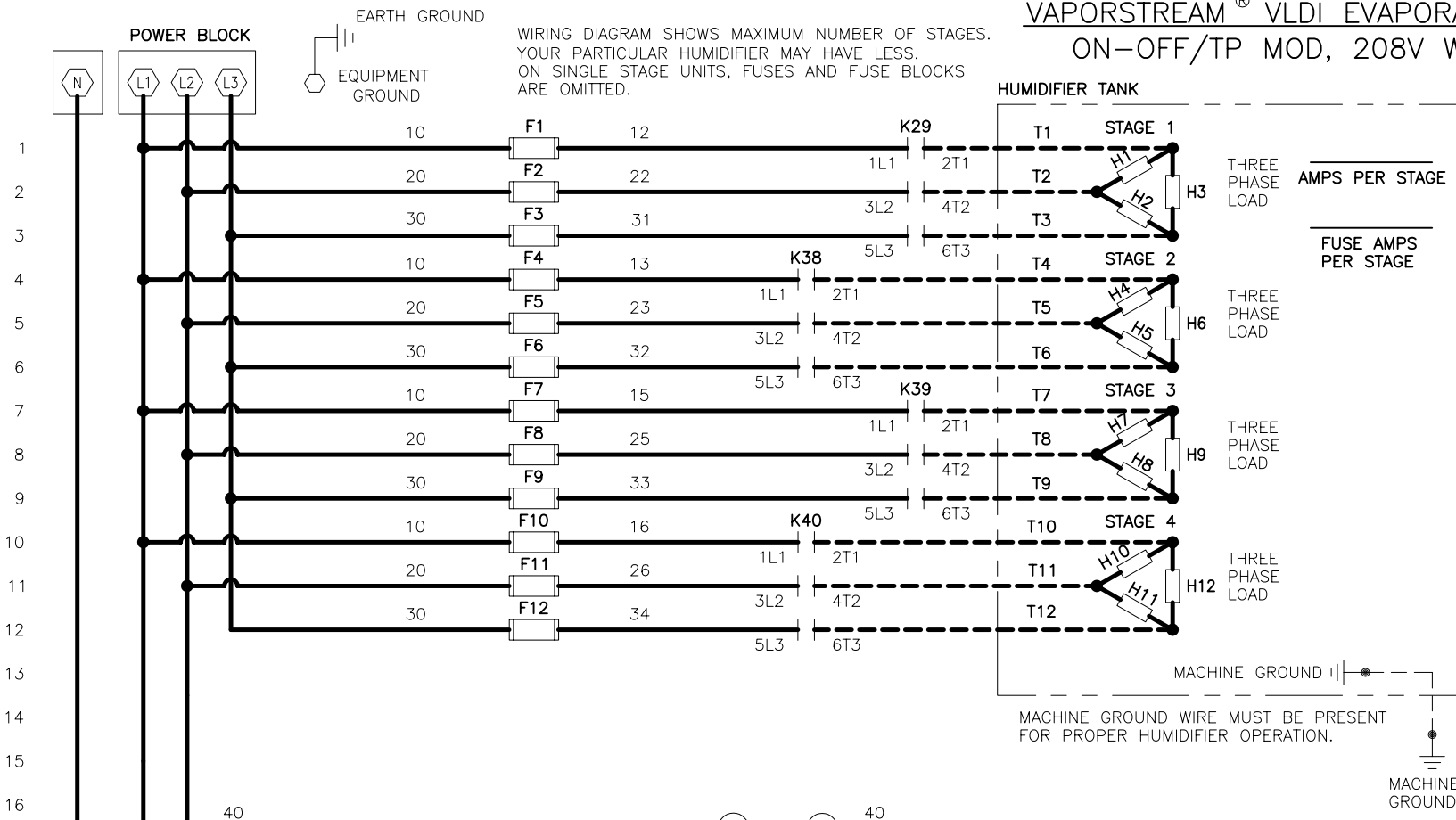


VAPORSTREAM® VLDI EVAPORATIVE HUMIDIFIER

ON-OFF/TP MOD, 208V WITH SDU/AREA

REFER TO FOLLOWING DOCUMENTS
 -INSTALLATION REQUIREMENTS
 -EXTERNAL CONNECTIONS
 -HEATER ELEMENT WIRING ARRANGEMENTS

DATE	REV	RECORD	DR
9/03	C	E.C. # 3988	JK
5/05	D	E.C. # 4263	JK



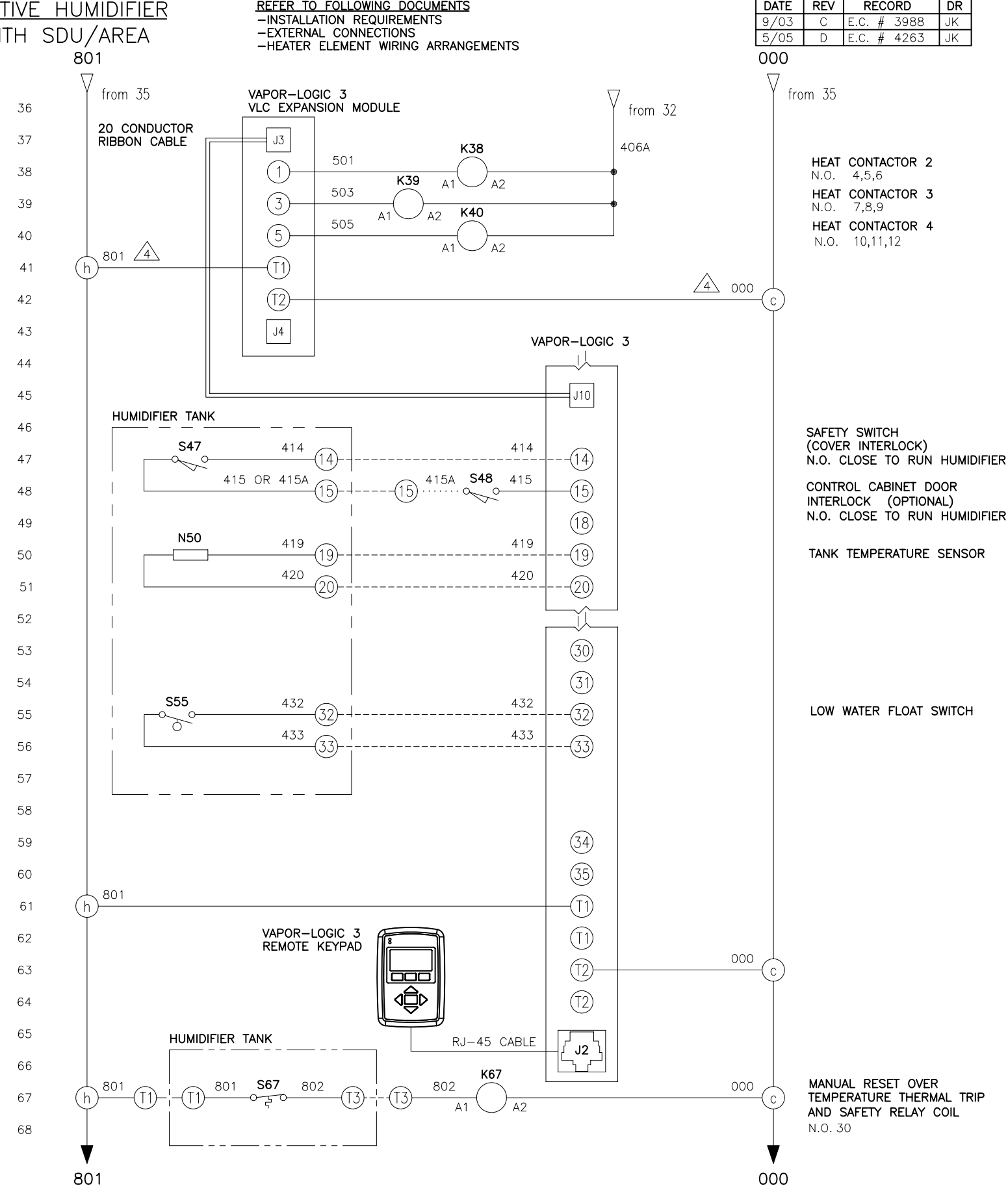
NOTES:

1. WIRING AND BRANCH CIRCUIT PROTECTION PROVIDED BY INSTALLER AS PER NATIONAL ELECTRICAL CODE.
2. FOR SUPPLY HEATER AND MACHINE GROUND CONNECTIONS, SIZE WIRE USING 75°C WIRE TABLE PER NATIONAL ELECTRICAL CODE.
3. USE COPPER CONNECTORS RATED FOR 105°C.

REFER TO AUXILIARY TRANSFORMER WIRING DIAGRAM FOR ALL MULTIPLE STAGE WITH MERCURY CONTACTOR.

LEGEND

K RELAY/CONTACTOR	Y SOLENOID
T TRANSFORMER	N SENSOR
Q CIRCUIT BREAKER	J JUMPER
S SWITCH	E WATER PROBE
H HEATER	M MOTOR/FAN
F FUSE	



PROGRAM CODE: _____

MODEL: _____

ORDER NO: _____

PRIMARY VOLTAGE: 208 PH: 3 HZ: 60

TOTAL UNIT AMPS: _____

<p>A SUBSIDIARY OF RESEARCH PRODUCTS CORPORATION Eden Prairie, MN</p>	DOMESTIC VLDI, DI WATER, 208 VOLT SINGLE POINT POWER, SDU DIAGRAM	
	MAT'L:	P/N
	SCALE:	VLC-VL3-62
	DRAWN BY: KROG DATE: 12/4/01	