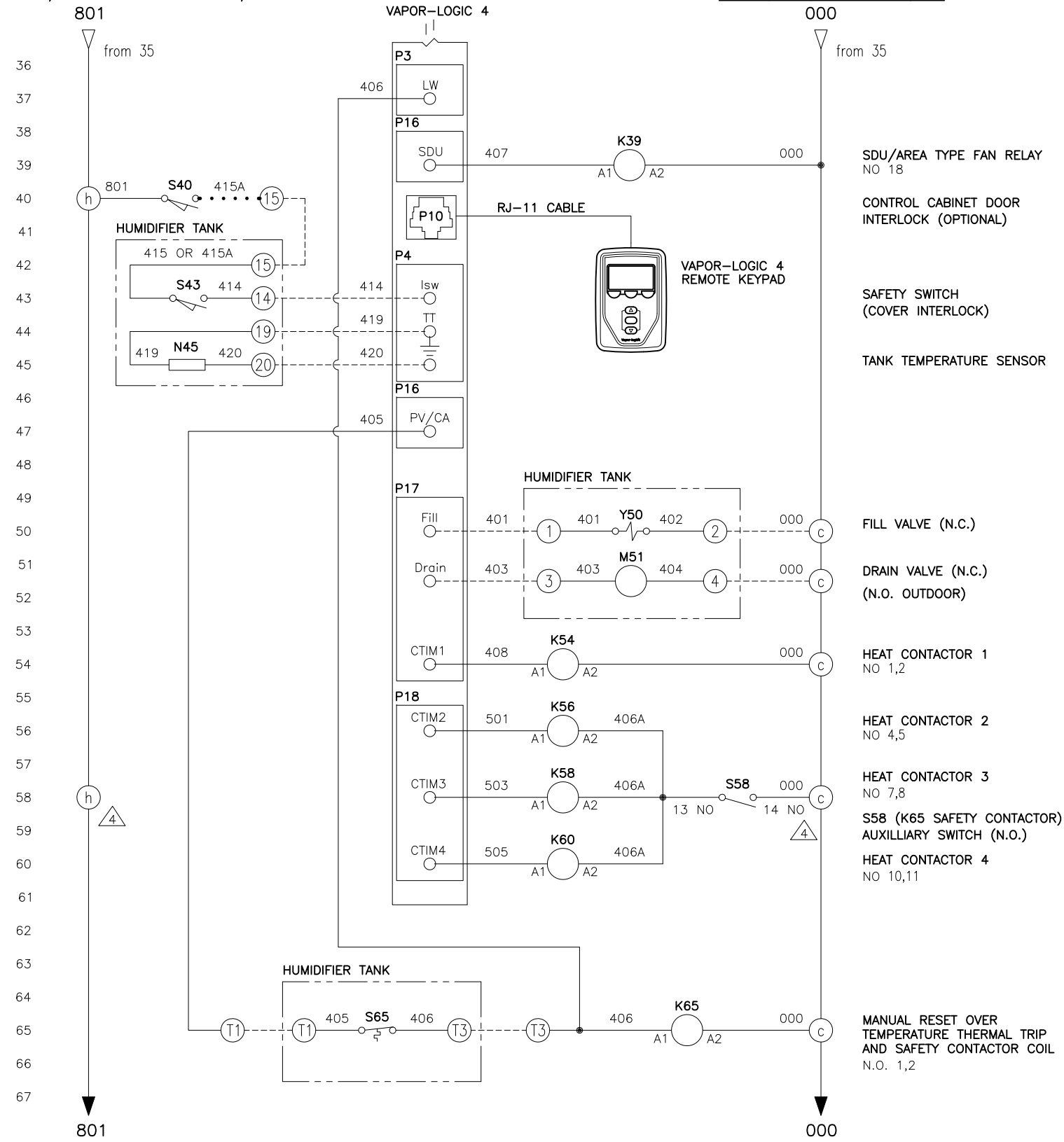
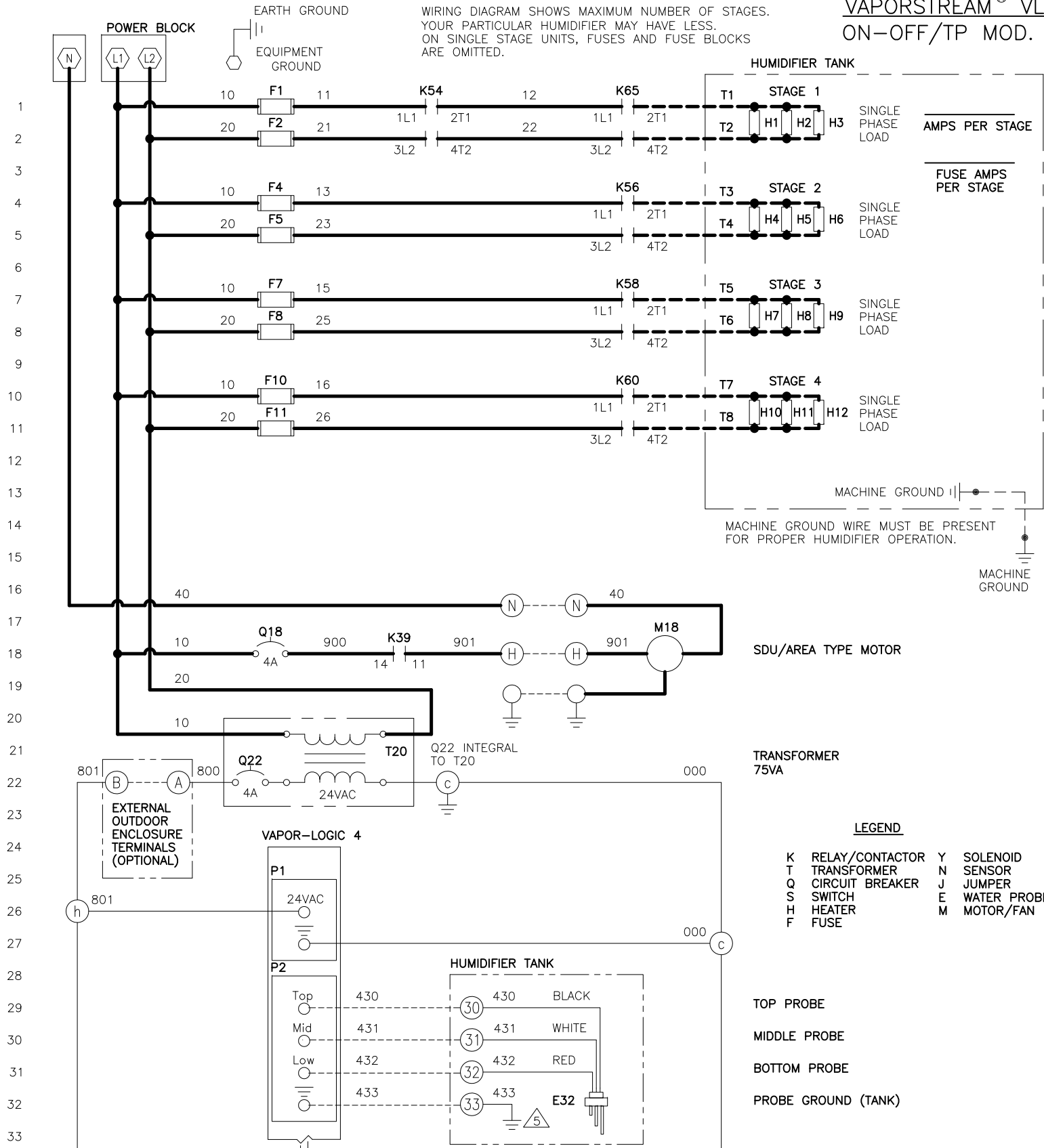


# VAPORSTREAM® VLC EVAPORATIVE HUMIDIFIER ON-OFF/TP MOD. 208V/240V WITH SDU/AREA

REFER TO FOLLOWING DOCUMENTS  
-INSTALLATION REQUIREMENTS  
-EXTERNAL CONNECTIONS  
-HEATER ELEMENT WIRING ARRANGEMENTS

DATE	REV	RECORD	DR
6/12	B	E.C.# 5833	JK
1/13	C	E.C.# 6004	JK

WIRING DIAGRAM SHOWS MAXIMUM NUMBER OF STAGES.  
YOUR PARTICULAR HUMIDIFIER MAY HAVE LESS.  
ON SINGLE STAGE UNITS, FUSES AND FUSE BLOCKS  
ARE OMITTED.



**LEGEND**

K	RELAY/CONTACTOR	Y	SOLENOID
T	TRANSFORMER	N	SENSOR
Q	CIRCUIT BREAKER	J	JUMPER
S	SWITCH	E	WATER PROBE
H	HEATER	M	MOTOR/FAN
F	FUSE		

- NOTES:**
1. WIRING AND BRANCH CIRCUIT PROTECTION PROVIDED BY INSTALLER AS PER NATIONAL ELECTRICAL CODE.
  2. FOR SUPPLY HEATER AND MACHINE GROUND CONNECTIONS, SIZE WIRE USING 75°C WIRE TABLE PER NATIONAL ELECTRICAL CODE.
  3. USE COPPER CONNECTORS RATED FOR 105°C.

**⚠ WATER LEVEL PROBE GROUND MUST BE CONNECTED TO TANK FOR PROPER HUMIDIFIER OPERATION.**

**MODEL:** \_\_\_\_\_  
**ORDER NO:** \_\_\_\_\_  
**PRIMARY VOLTAGE:** \_\_\_\_\_ **PH:** 1 **HZ:** 50/60  
**TOTAL UNIT AMPS:** \_\_\_\_\_

<b>DRISTEEM</b>	DOMESTIC VLC, STANDARD WATER 208/240 VOLT SINGLE POINT POWER, SDU DIAGRAM	
	MAT'L:	P/N
	SCALE:	VLC-VL4-39
	DRAWN BY: KROG DATE: 11/30/09	

801 to 36

000 to 36

BREAK TO EXTERNAL CONNECTIONS DIAGRAM

**POWER WIRING**  
CONTROL CIRCUIT WIRING  
**FIELD WIRING**  
OPTIONAL FACTORY  
OPTIONAL FIELD