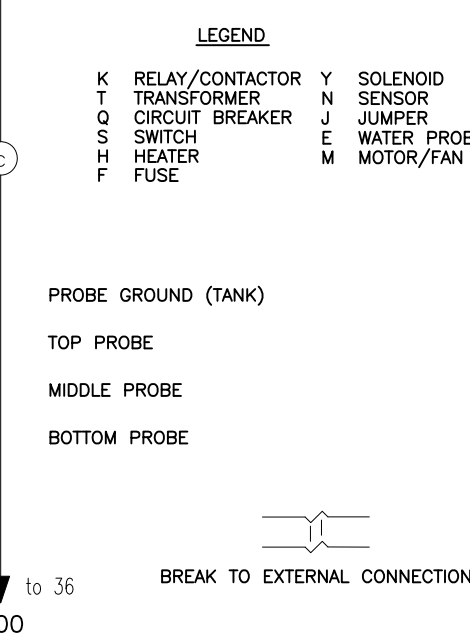
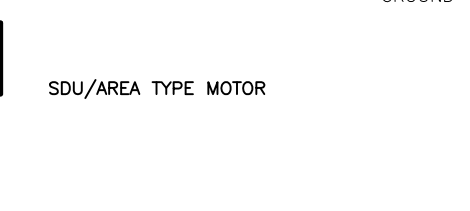
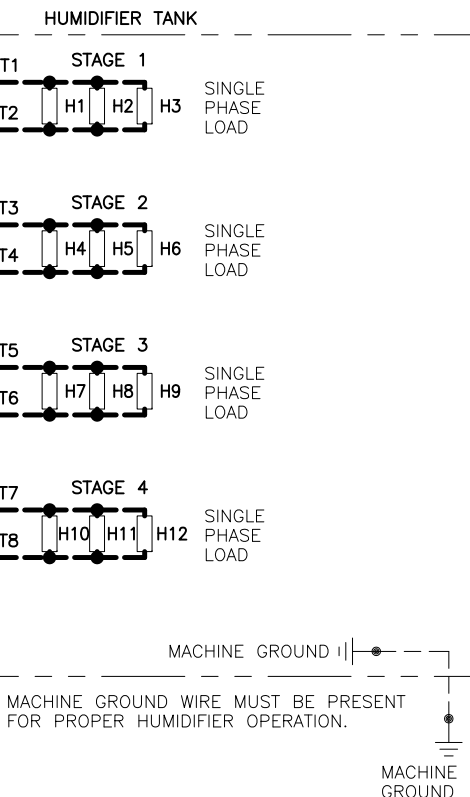
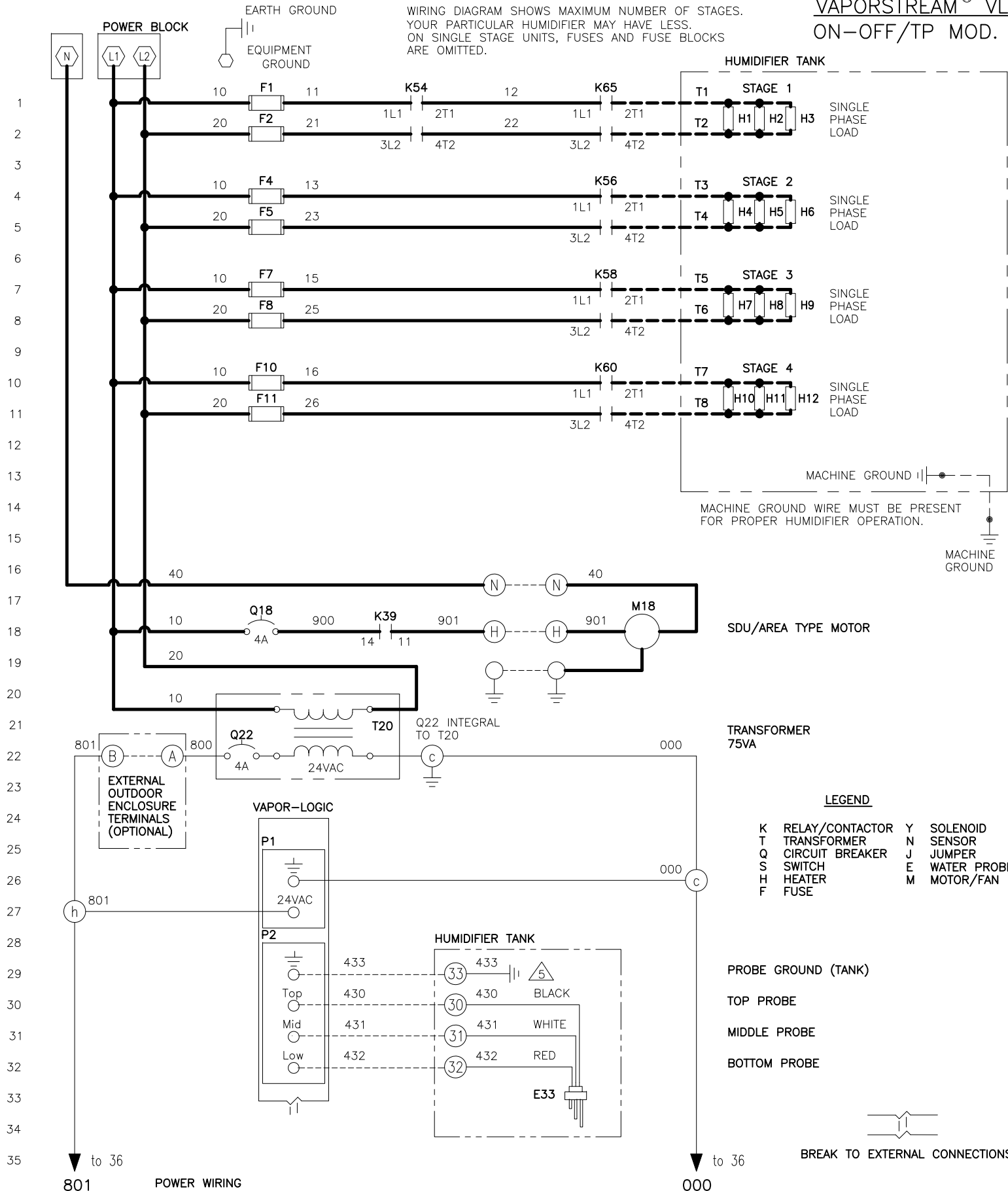


VAPORSTREAM® VLC EVAPORATIVE HUMIDIFIER ON-OFF/TP MOD. 208V/240V WITH SDU/AREA

REFER TO FOLLOWING DOCUMENTS
-INSTALLATION REQUIREMENTS
-EXTERNAL CONNECTIONS
-HEATER ELEMENT WIRING ARRANGEMENTS

DATE	REV	RECORD	DR
3/13	B	E.C.# 6053	JK
1/14	C	E.C.# 6172	JK

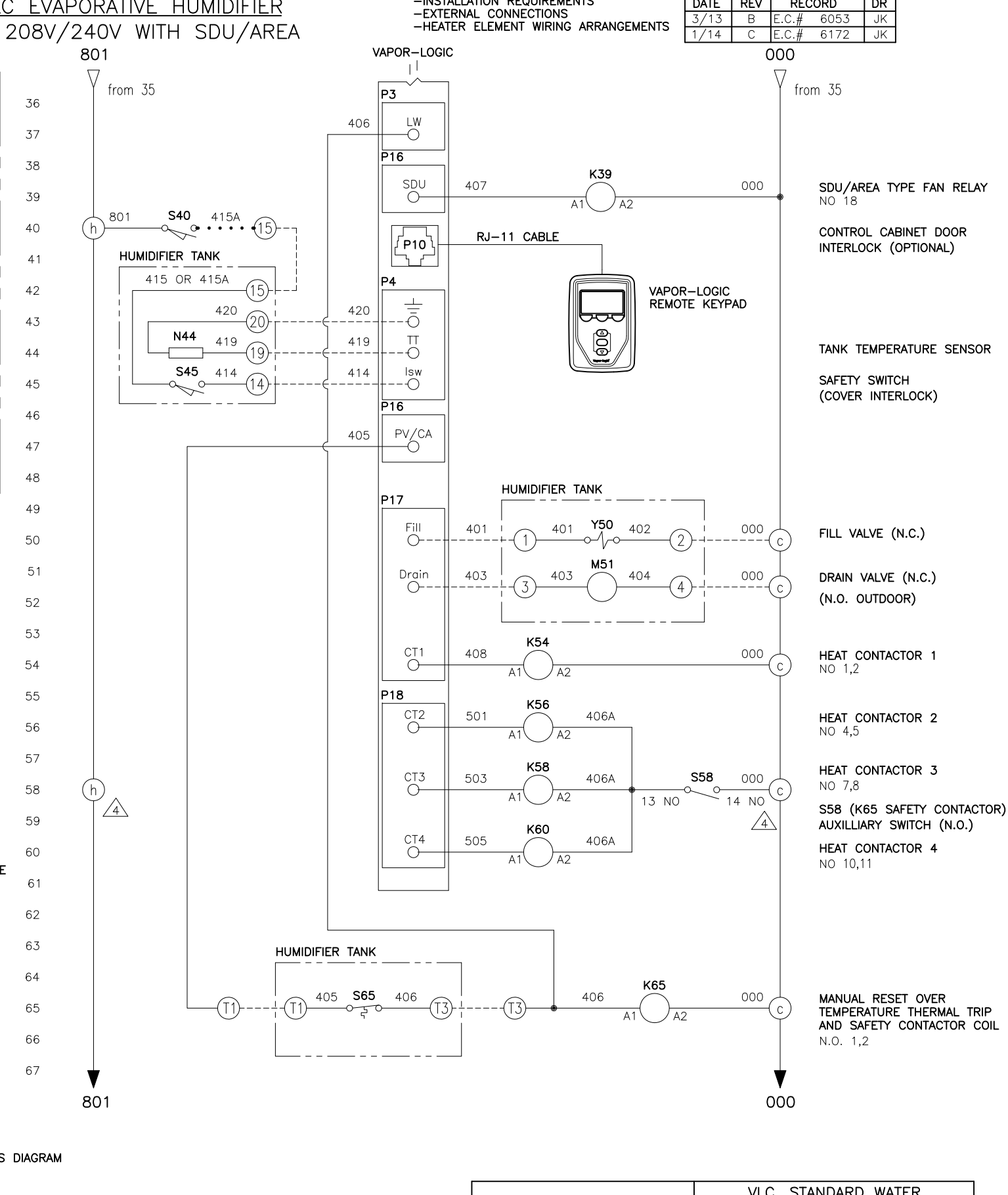
WIRING DIAGRAM SHOWS MAXIMUM NUMBER OF STAGES.
YOUR PARTICULAR HUMIDIFIER MAY HAVE LESS.
ON SINGLE STAGE UNITS, FUSES AND FUSE BLOCKS
ARE OMITTED.



LEGEND

K	RELAY/CONTACTOR	Y	SOLENOID
T	TRANSFORMER	N	SENSOR
Q	CIRCUIT BREAKER	J	JUMPER
S	SWITCH	E	WATER PROBE
H	HEATER	M	MOTOR/FAN
F	FUSE		

PROBE GROUND (TANK)
TOP PROBE
MIDDLE PROBE
BOTTOM PROBE



- NOTES:
1. WIRING AND BRANCH CIRCUIT PROTECTION PROVIDED BY INSTALLER AS PER NATIONAL ELECTRICAL CODE.
 2. FOR SUPPLY HEATER AND MACHINE GROUND CONNECTIONS, SIZE WIRE USING 75°C WIRE TABLE PER NATIONAL ELECTRICAL CODE.
 3. USE COPPER CONNECTORS RATED FOR 105°C.
 4. REFER TO AUXILIARY TRANSFORMER WIRING DIAGRAM FOR ALL MULTIPLE STAGE WITH HIGH VA DRAW, WHEN TWO TRANSFORMERS ARE PRESENT.

5. WATER LEVEL PROBE GROUND MUST BE CONNECTED TO TANK FOR PROPER HUMIDIFIER OPERATION.
6. REFER TO VLC ELECTRICAL DATA SHEET.

801
to 36

POWER WIRING
CONTROL CIRCUIT WIRING
FIELD WIRING
OPTIONAL FACTORY
OPTIONAL FIELD

000
to 36

BREAK TO EXTERNAL CONNECTIONS DIAGRAM

		VLC, STANDARD WATER 208/240 VOLT SINGLE POINT POWER, SDU DIAGRAM	
		MAT'L:	P/N
SCALE:		VLC-VL5-39	
DRAWN BY: KROG		DATE: 1/2/13	