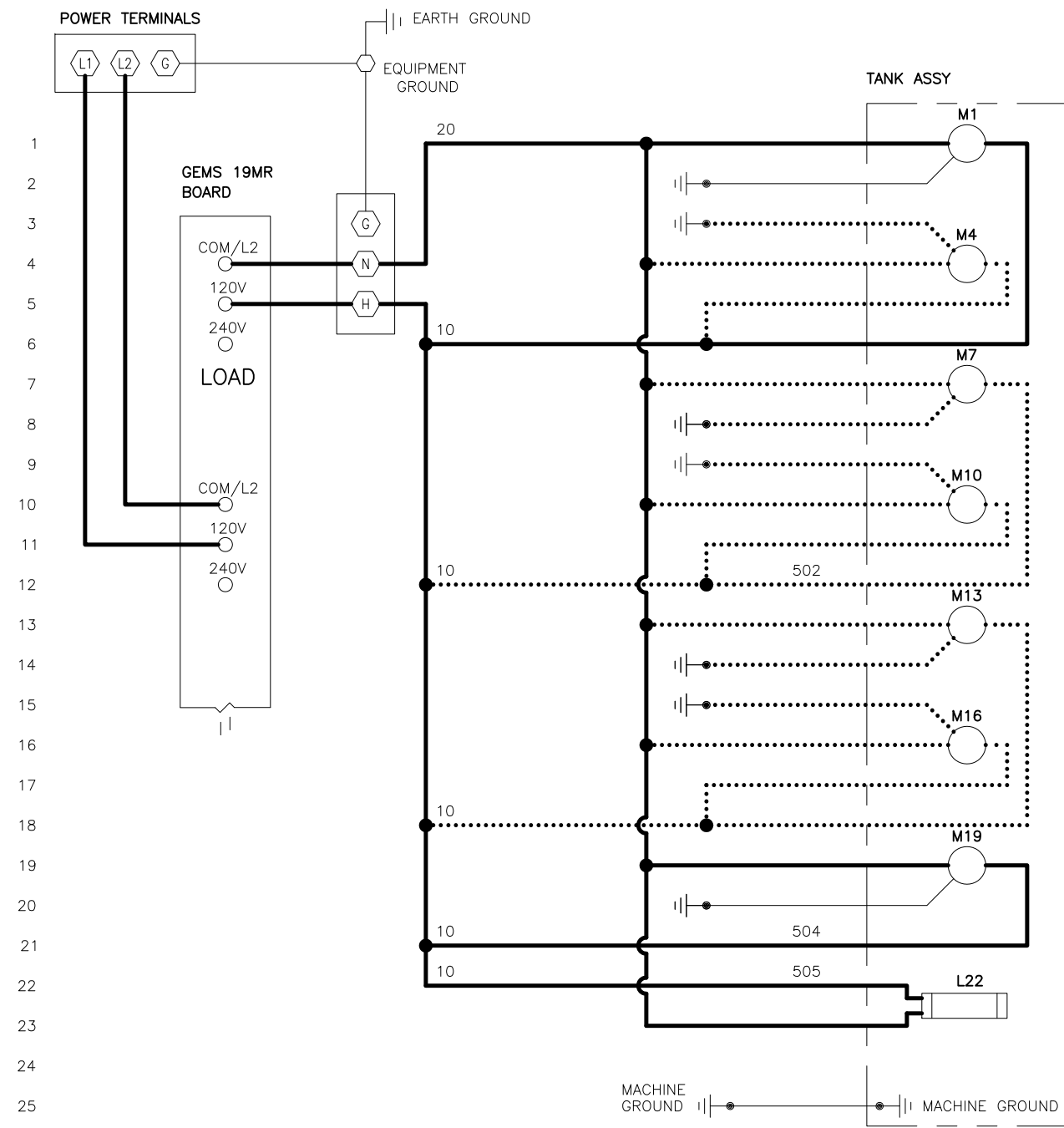


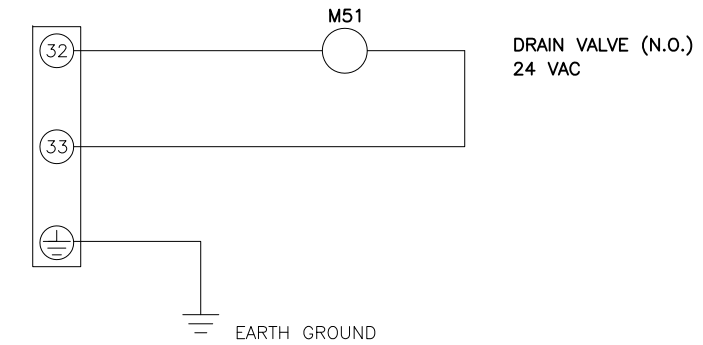
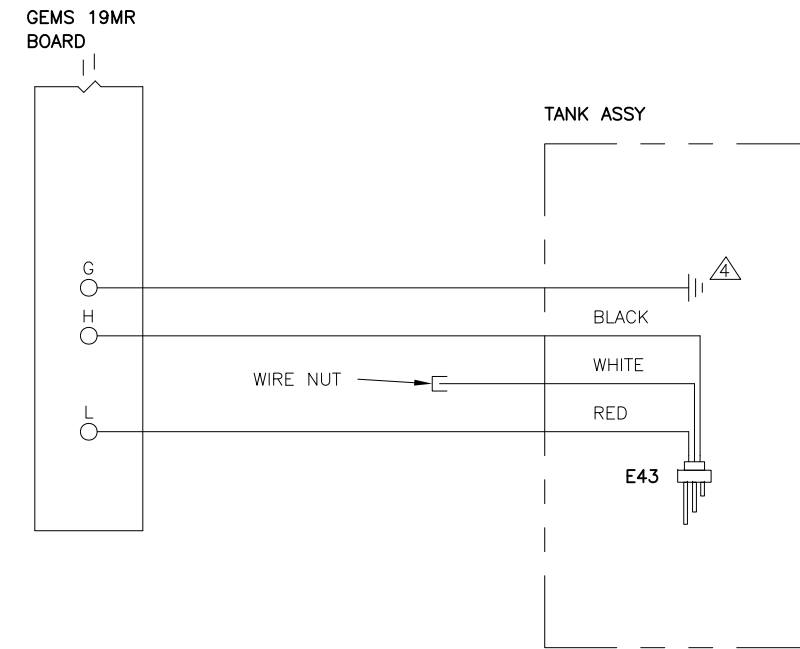
DATE	REV	RECORD	DR
9/17	A	E.C.# 6443	JK

WETTED MEDIA CONTROL

WIRING DIAGRAM WITH GEMS 19MR BOARD



PUMP 1 (ALL UNITS)	31
	32
	33
PUMP 1 (OPTIONAL)	34
	35
	36
PUMP 2 (2 & 3 STAGE UNITS)	37
	38
	39
PUMP 2 (OPTIONAL)	40
	41
	42
PUMP 3 (3 STAGE UNITS)	43
	44
	45
PUMP 3 (OPTIONAL)	46
	47
	48
RECIRC (ALL UNITS)	49
	50
	51
	52
UV LAMP	53
	54
	55
	56
	57
	58
	59
	60



NOTES:

1. WIRING AND BRANCH CIRCUIT PROTECTION PROVIDED BY INSTALLER AS PER NATIONAL ELECTRICAL CODE.
2. FOR SUPPLY AND MACHINE GROUND CONNECTIONS, SIZE WIRE USING 75°C WIRE TABLE PER NATIONAL ELECTRICAL CODE.
3. INPUT LINE 120 VOLTS 1 PHASE, OPERATES ON 60 HERTZ.
4. WATER LEVEL PROBE GROUND MUST BE CONNECTED TO TANK FOR PROPER OPERATION.
5. REFER TO WMS ELECTRICAL DATA SHEET.

LEGEND

K	RELAY/CONTACTOR	Y	SOLENOID
T	TRANSFORMER	N	SENSOR
Q	CIRCUIT BREAKER	J	JUMPER
S	SWITCH	E	WATER PROBE
H	HEATER	M	MOTOR/FAN
L	LAMP		

POWER WIRING

CONTROL CIRCUIT WIRING

FIELD WIRING

OPTIONAL FACTORY

OPTIONAL FIELD

BREAK TO EXTERNAL CONNECTIONS DIAGRAM

		WETTED MEDIA CUSTOMER CONTROLLED SYSTEM WIRING DIAGRAM	
		MAT'L:	P/N
SCALE:	DATE: 9/27/17	WMS-19MR-1	
DRAWN BY: JK			