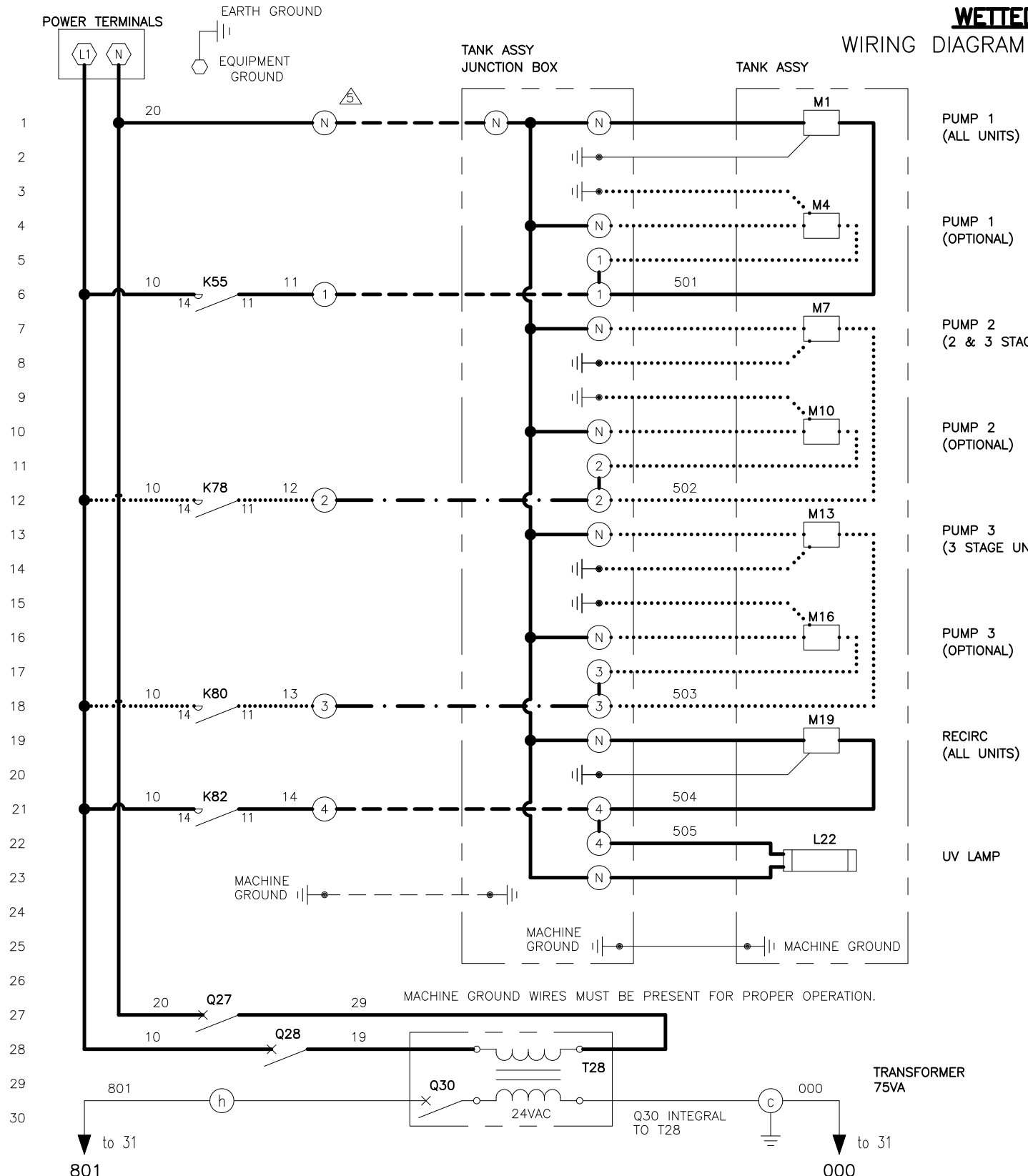


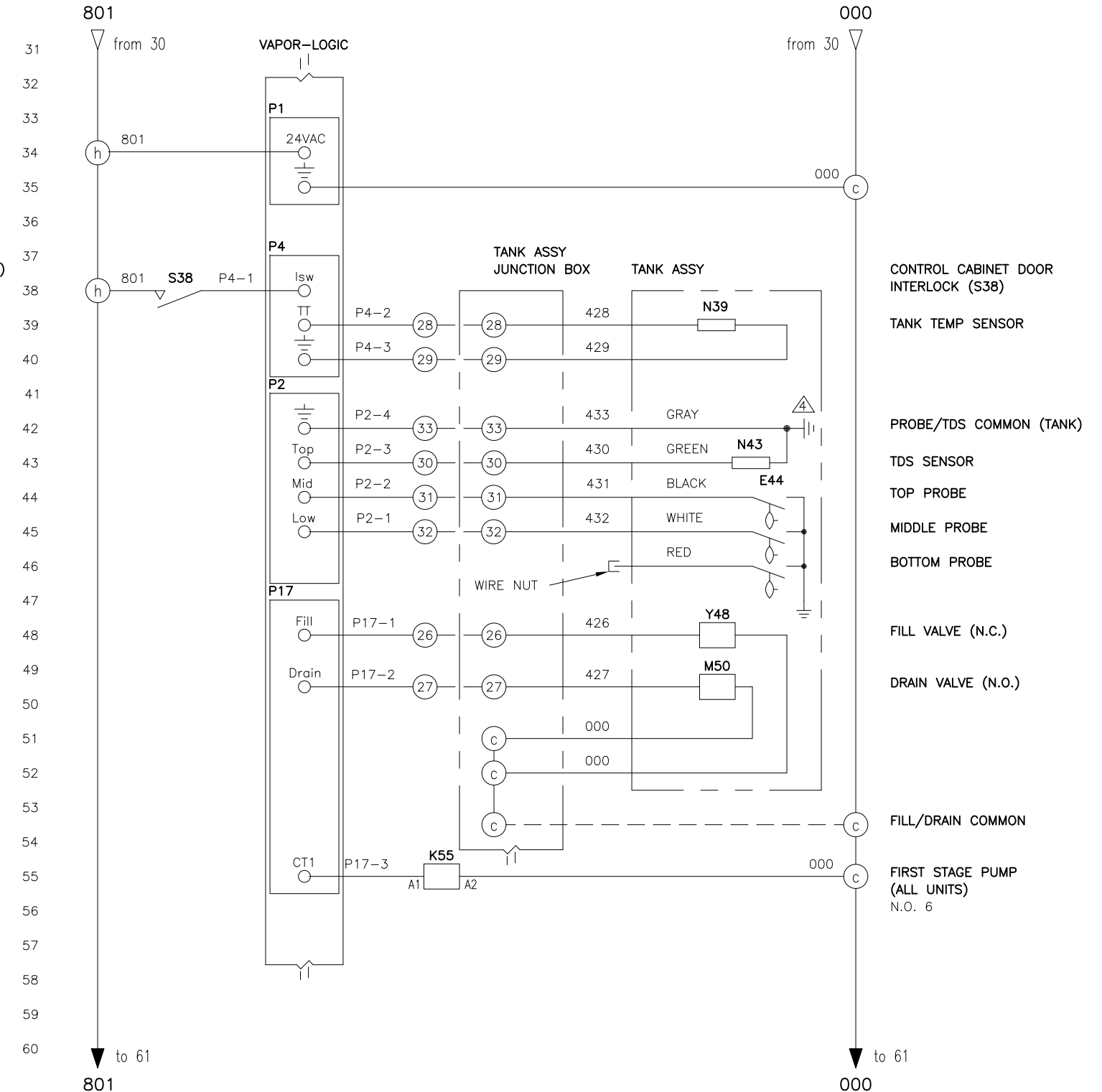
# WETTED MEDIA CONTROL

## WIRING DIAGRAM WITH VAPOR-LOGIC & TDS

DATE	REV	RECORD	DR
6/17	B	E.C.# 6575	JK
9/17	C	E.C.# 6443	JK
6/21	D	E.C.# 6998	JK



- NOTES:**
1. WIRING AND BRANCH CIRCUIT PROTECTION PROVIDED BY INSTALLER AS PER NATIONAL ELECTRICAL CODE.
  2. FOR SUPPLY AND MACHINE GROUND CONNECTIONS, SIZE WIRE USING 75°C WIRE TABLE PER NATIONAL ELECTRICAL CODE.
  3. INPUT LINE 230 VOLTS 1 PHASE, OPERATES ON 50 HERTZ.
- ⚠ WATER LEVEL PROBE GROUND MUST BE CONNECTED TO TANK FOR PROPER OPERATION.
- ⚠ FIELD WIRED NEUTRAL TO PUMP SECTION CABINET MUST BE SIZED FOR COMBINED LOAD— 12 GA CONDUCTOR.
6. REFER TO WMS ELECTRICAL DATA SHEET.



- LEGEND**
- |                   |               |
|-------------------|---------------|
| K RELAY/CONTACTOR | Y SOLENOID    |
| T TRANSFORMER     | N SENSOR      |
| Q CIRCUIT BREAKER | J JUMPER      |
| S SWITCH          | E WATER PROBE |
| H HEATER          | M MOTOR/FAN   |
| L LAMP            |               |
- POWER WIRING**  
**CONTROL CIRCUIT WIRING**  
**FIELD WIRING**  
**OPTIONAL FACTORY**  
**OPTIONAL FIELD**

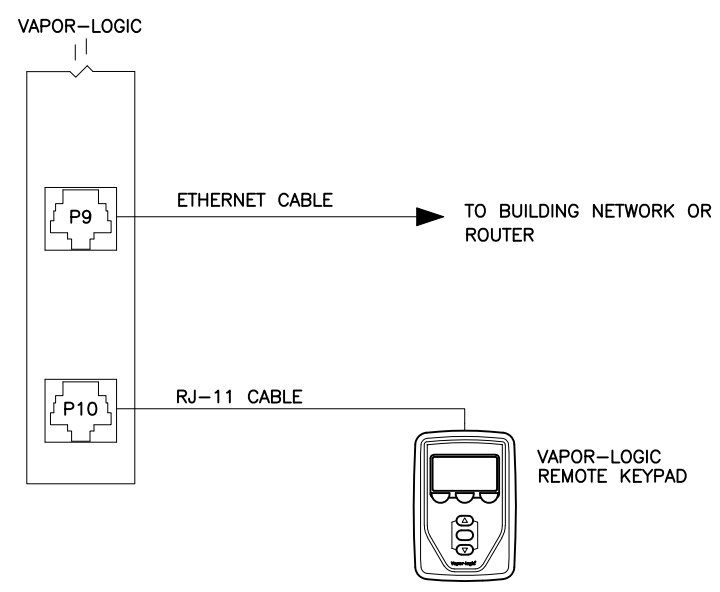
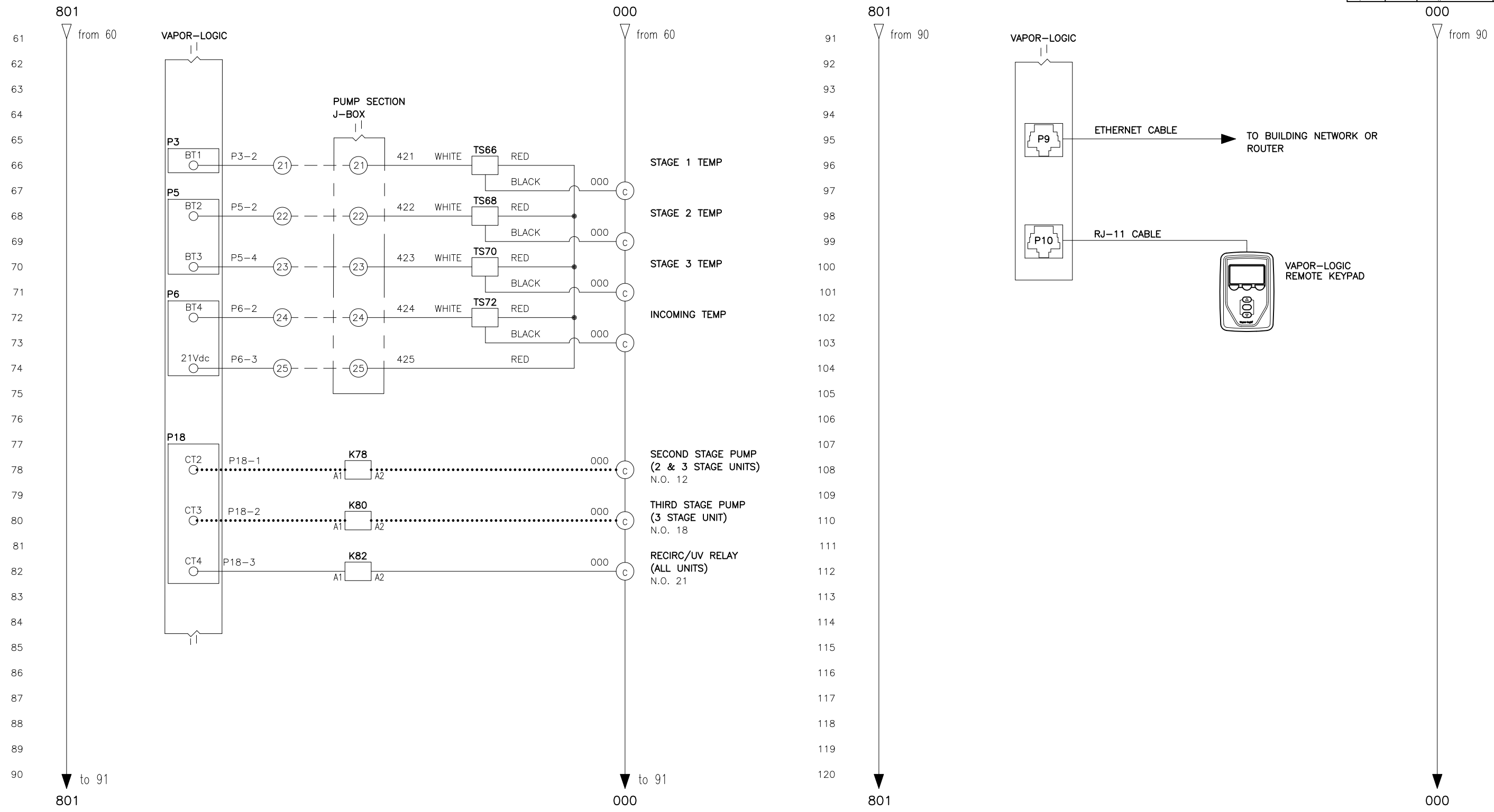
BREAK TO EXTERNAL CONNECTIONS DIAGRAM


	EUROPEAN WETTED MEDIA SYSTEM WITH TDS WIRING DIAGRAM	
	MAT'L:	P/N
	SCALE: DRAWN BY: JK DATE: 12/12/14	WMS-CE-VL-2 SHEET 1 OF 2

# WETTED MEDIA CONTROL


## WIRING DIAGRAM WITH VAPOR-LOGIC & TDS

DATE	REV	RECORD	DR
6/17	B	E.C.# 6575	JK
9/17	C	E.C.# 6443	JK
6/21	D	E.C.# 6998	JK



  
 BREAK TO EXTERNAL CONNECTIONS DIAGRAM

- | LEGEND |                 | POWER WIRING |             |
|--------|-----------------|--------------|-------------|
| K      | RELAY/CONTACTOR | Y            | SOLENOID    |
| T      | TRANSFORMER     | N            | SENSOR      |
| Q      | CIRCUIT BREAKER | J            | JUMPER      |
| S      | SWITCH          | E            | WATER PROBE |
| H      | HEATER          | M            | MOTOR/FAN   |
| L      | LAMP            |              |             |

	EUROPEAN WETTED MEDIA SYSTEM WITH TDS WIRING DIAGRAM	
	MAT'L:	P/N
	SCALE: DRAWN BY: JK DATE: 12/12/14	WMS-CE-VL-2 SHEET 2 OF 2