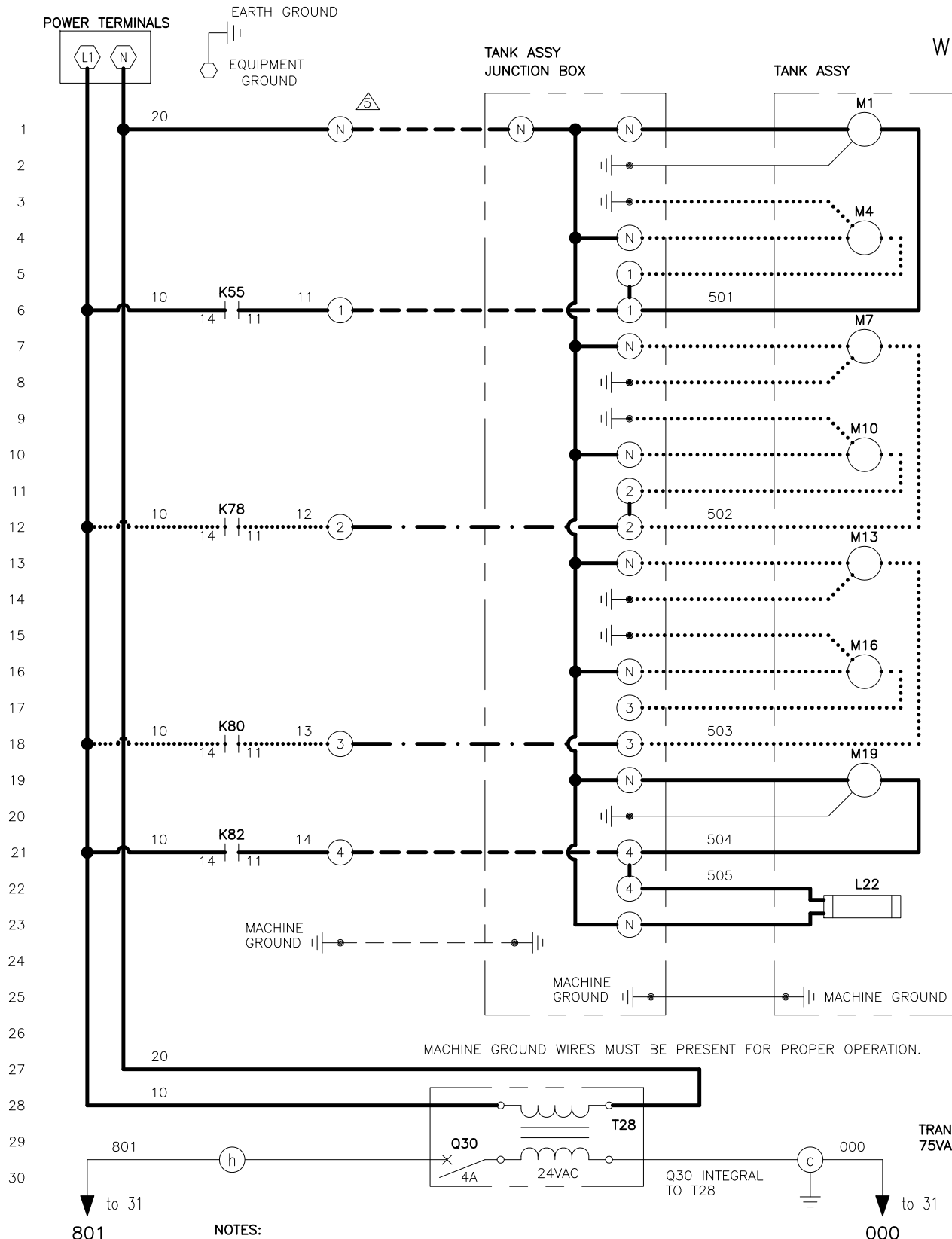
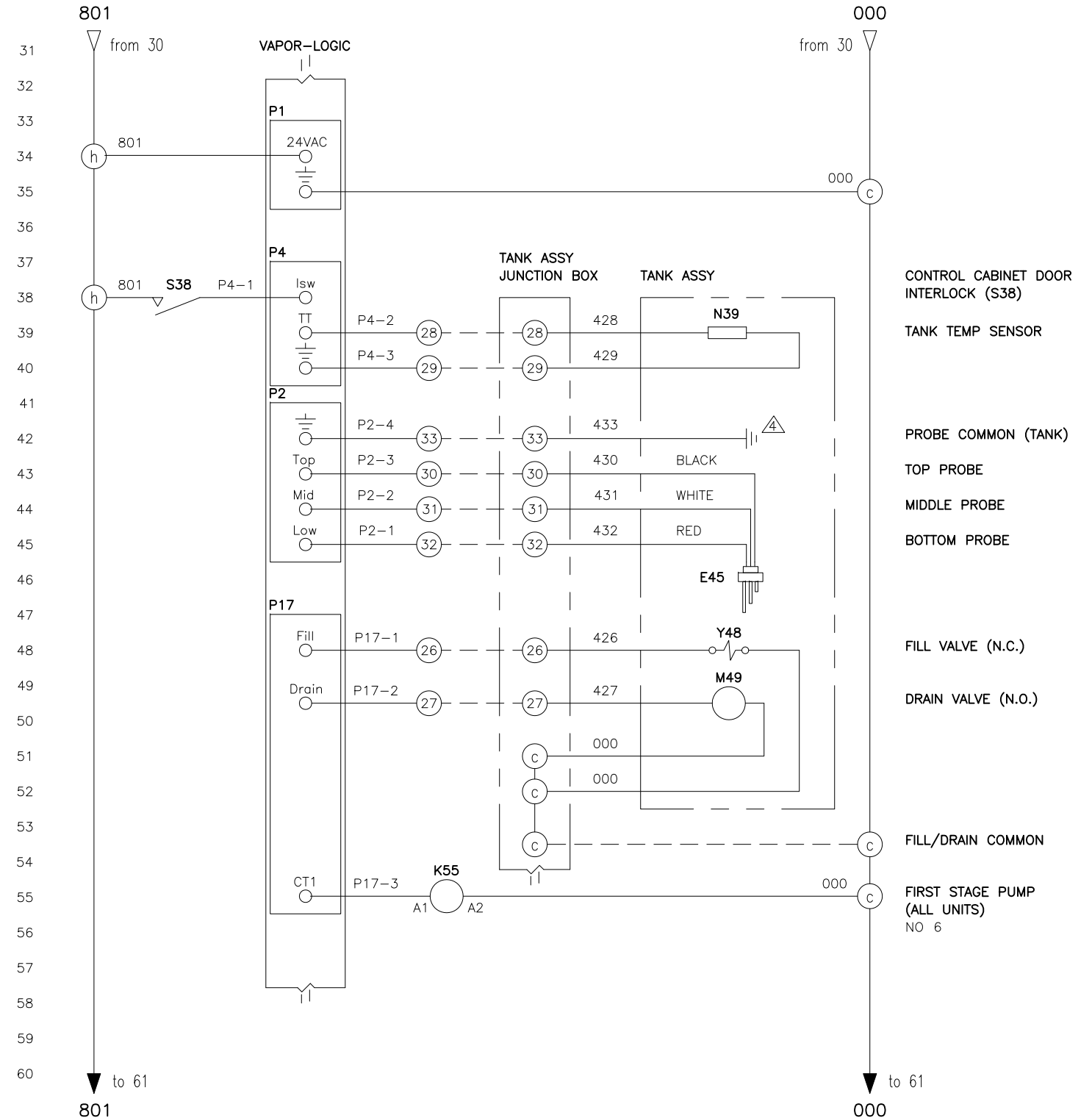


WETTED MEDIA CONTROL WIRING DIAGRAM WITH VAPOR-LOGIC

DATE	REV	RECORD	DR
2/14	A	E.C.# 6221	JK
11/14	B	E.C.# 6357	JK



- 1 PUMP 1 (ALL UNITS)
- 2 PUMP 1 (OPTIONAL)
- 3 PUMP 2 (2 & 3 STAGE UNITS)
- 4 PUMP 2 (OPTIONAL)
- 5 PUMP 3 (3 STAGE UNITS)
- 6 PUMP 3 (OPTIONAL)
- 7 RECIRC (ALL UNITS)
- 8 UV LAMP



- NOTES:**
1. WIRING AND BRANCH CIRCUIT PROTECTION PROVIDED BY INSTALLER AS PER NATIONAL ELECTRICAL CODE.
 2. FOR SUPPLY AND MACHINE GROUND CONNECTIONS, SIZE WIRE USING 75°C WIRE TABLE PER NATIONAL ELECTRICAL CODE.
 3. INPUT LINE 120 VOLTS 1 PHASE, OPERATES ON 60 HERTZ.
- ⚠ WATER LEVEL PROBE GROUND MUST BE CONNECTED TO TANK FOR PROPER OPERATION.
- ⚠ FIELD WIRED NEUTRAL TO PUMP SECTION CABINET MUST BE SIZED FOR COMBINED LOAD- 16 GA CONDUCTOR.
 6. REFER TO WMS ELECTRICAL DATA SHEET.

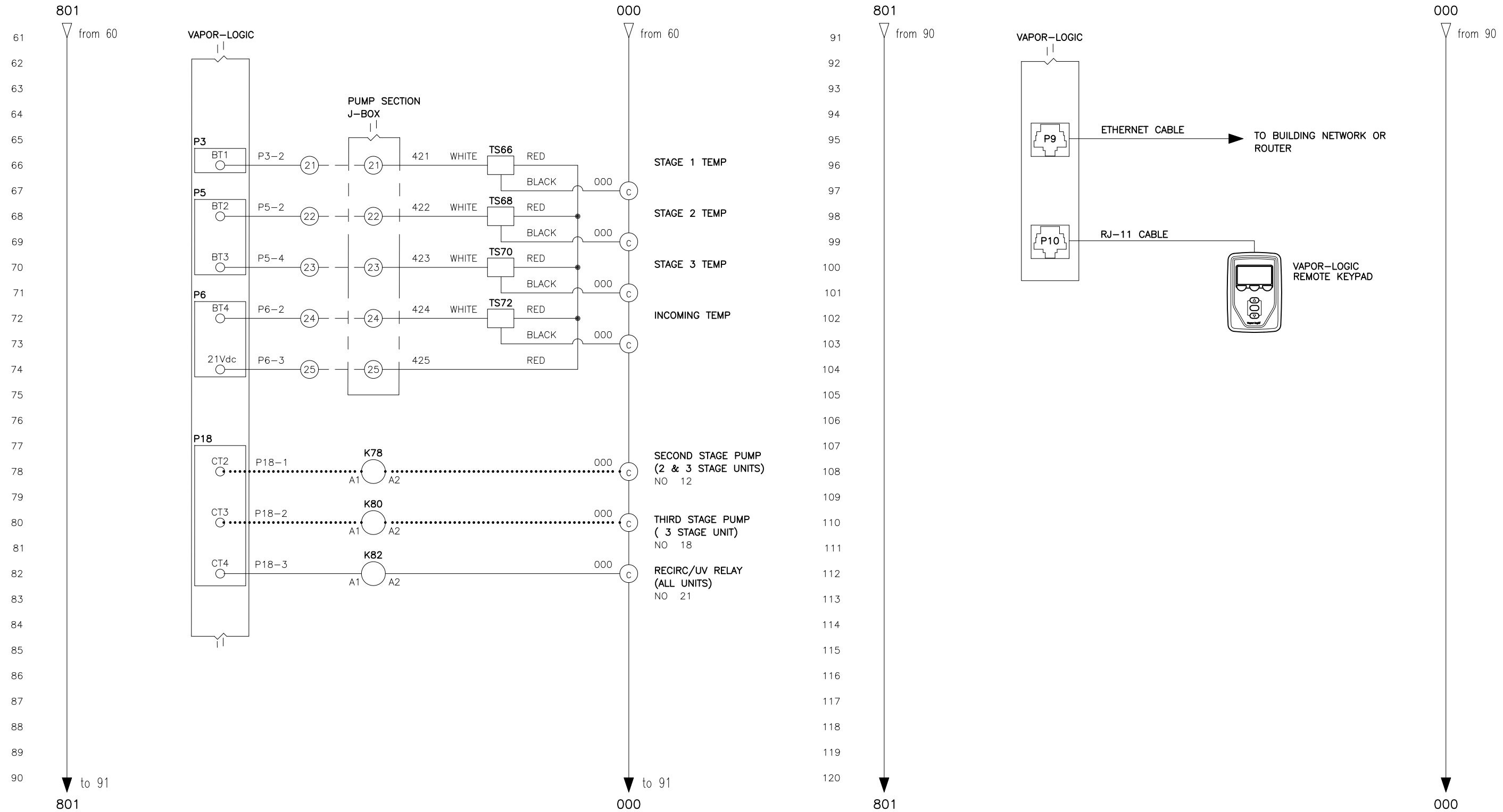
- LEGEND**
- | | |
|-------------------|---------------|
| K RELAY/CONTACTOR | Y SOLENOID |
| T TRANSFORMER | N SENSOR |
| Q CIRCUIT BREAKER | J JUMPER |
| S SWITCH | E WATER PROBE |
| H HEATER | M MOTOR/FAN |
| L LAMP | |
- POWER WIRING**
CONTROL CIRCUIT WIRING
FIELD WIRING
OPTIONAL FACTORY
OPTIONAL FIELD

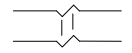
BREAK TO EXTERNAL CONNECTIONS DIAGRAM

WETTED MEDIA SYSTEM WIRING DIAGRAM	
MAT'L:	
SCALE:	P/N
DRAWN BY: JK	WMS-VL-1
DATE: 11/24/14	SHEET 1 OF 2


WETTED MEDIA CONTROL WIRING DIAGRAM WITH VAPOR-LOGIC

DATE	REV	RECORD	DR
2/14	A	E.C.# 6221	JK
11/14	B	E.C.# 6357	JK




 BREAK TO EXTERNAL CONNECTIONS DIAGRAM

- | LEGEND | | POWER WIRING | |
|--------|-----------------|--------------|-------------|
| K | RELAY/CONTACTOR | Y | SOLENOID |
| T | TRANSFORMER | N | SENSOR |
| Q | CIRCUIT BREAKER | J | JUMPER |
| S | SWITCH | E | WATER PROBE |
| H | HEATER | M | MOTOR/FAN |
| L | LAMP | | |

	WETTED MEDIA SYSTEM WIRING DIAGRAM	
	MAT'L:	
	SCALE:	P/N
	DATE: 11/24/14	WMS-VL-1 SHEET 2 OF 2