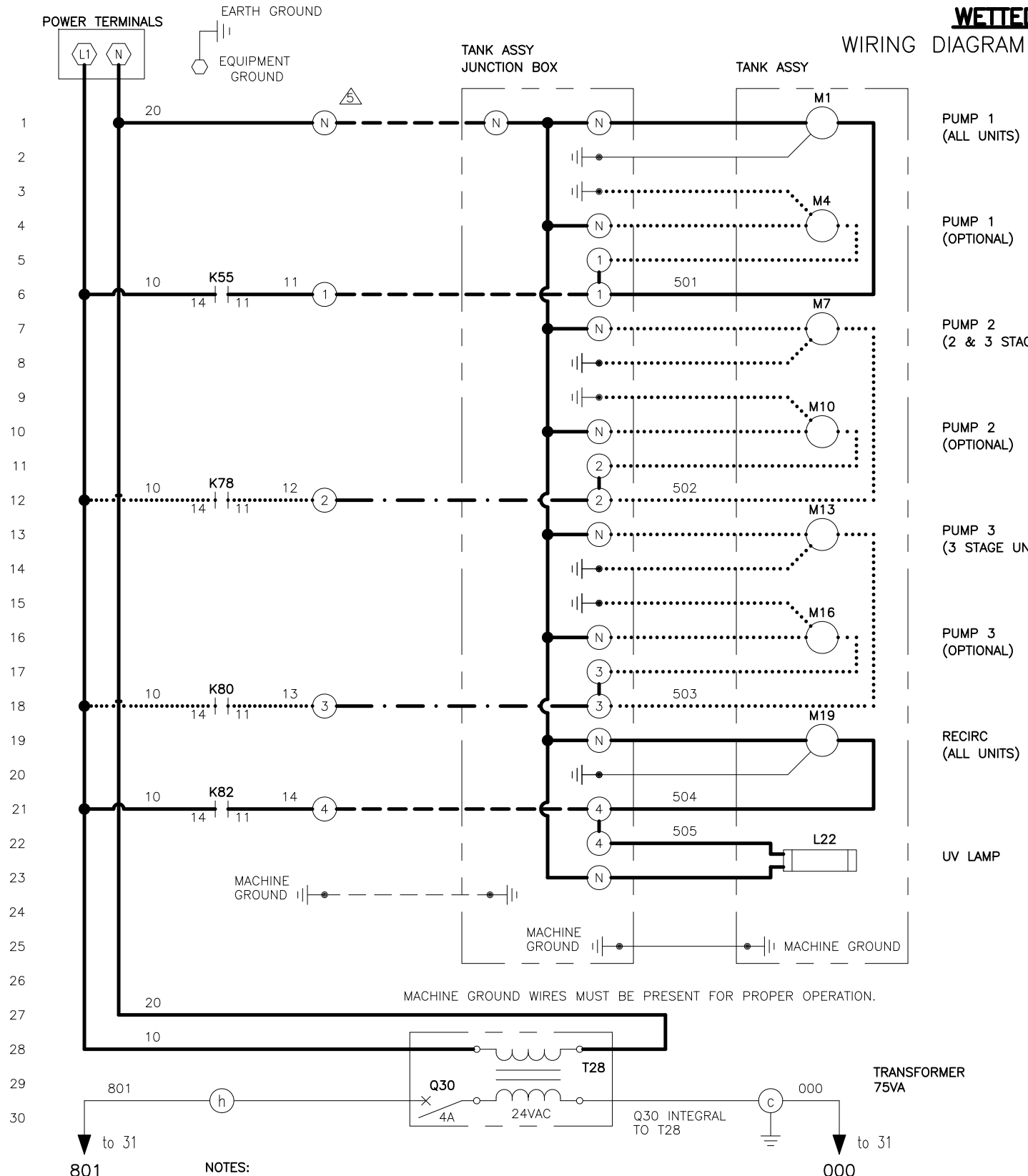


WETTED MEDIA CONTROL

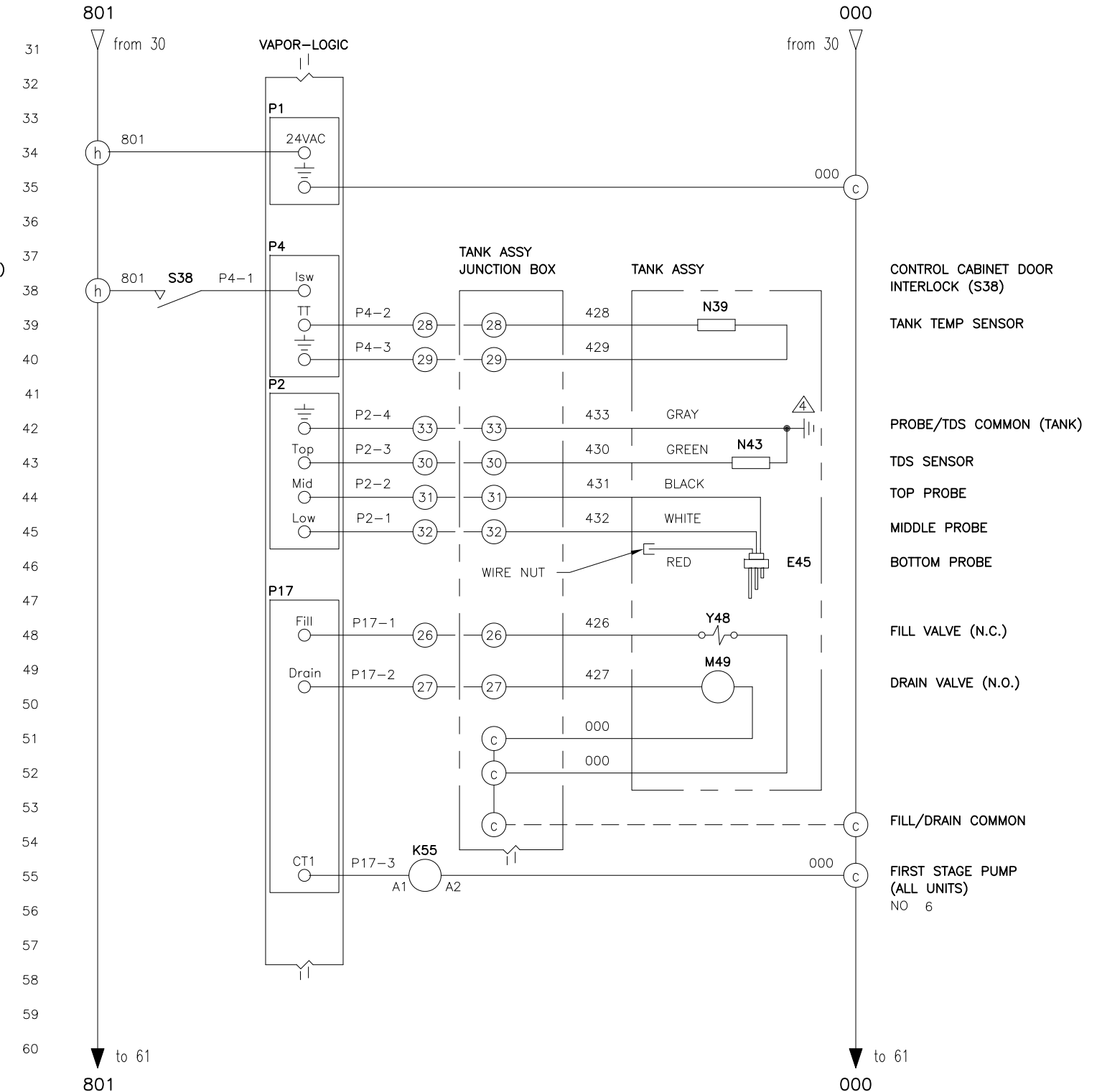
WIRING DIAGRAM WITH VAPOR-LOGIC & TDS

DATE	REV	RECORD	DR
11/14	A	E.C.# 6357	JK
9/17	B	E.C.# 6443	JK
6/21	C	E.C.# 6998	JK



NOTES:

1. WIRING AND BRANCH CIRCUIT PROTECTION PROVIDED BY INSTALLER AS PER NATIONAL ELECTRICAL CODE.
 2. FOR SUPPLY AND MACHINE GROUND CONNECTIONS, SIZE WIRE USING 75°C WIRE TABLE PER NATIONAL ELECTRICAL CODE.
 3. INPUT LINE 120 VOLTS 1 PHASE, OPERATES ON 60 HERTZ.
- ⚠ WATER LEVEL PROBE GROUND MUST BE CONNECTED TO TANK FOR PROPER OPERATION.
- ⚠ FIELD WIRED NEUTRAL TO PUMP SECTION CABINET MUST BE SIZED FOR COMBINED LOAD— 16 GA CONDUCTOR.
6. REFER TO WMS ELECTRICAL DATA SHEET.



LEGEND

- | | |
|-------------------|---------------|
| K RELAY/CONTACTOR | Y SOLENOID |
| T TRANSFORMER | N SENSOR |
| Q CIRCUIT BREAKER | J JUMPER |
| S SWITCH | E WATER PROBE |
| H HEATER | M MOTOR/FAN |
| L LAMP | |

POWER WIRING

- CONTROL CIRCUIT WIRING
- FIELD WIRING
- OPTIONAL FACTORY
- OPTIONAL FIELD

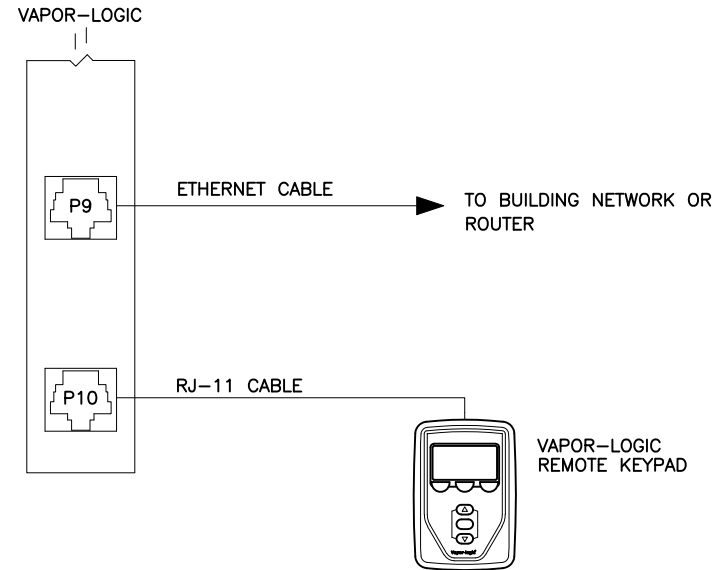
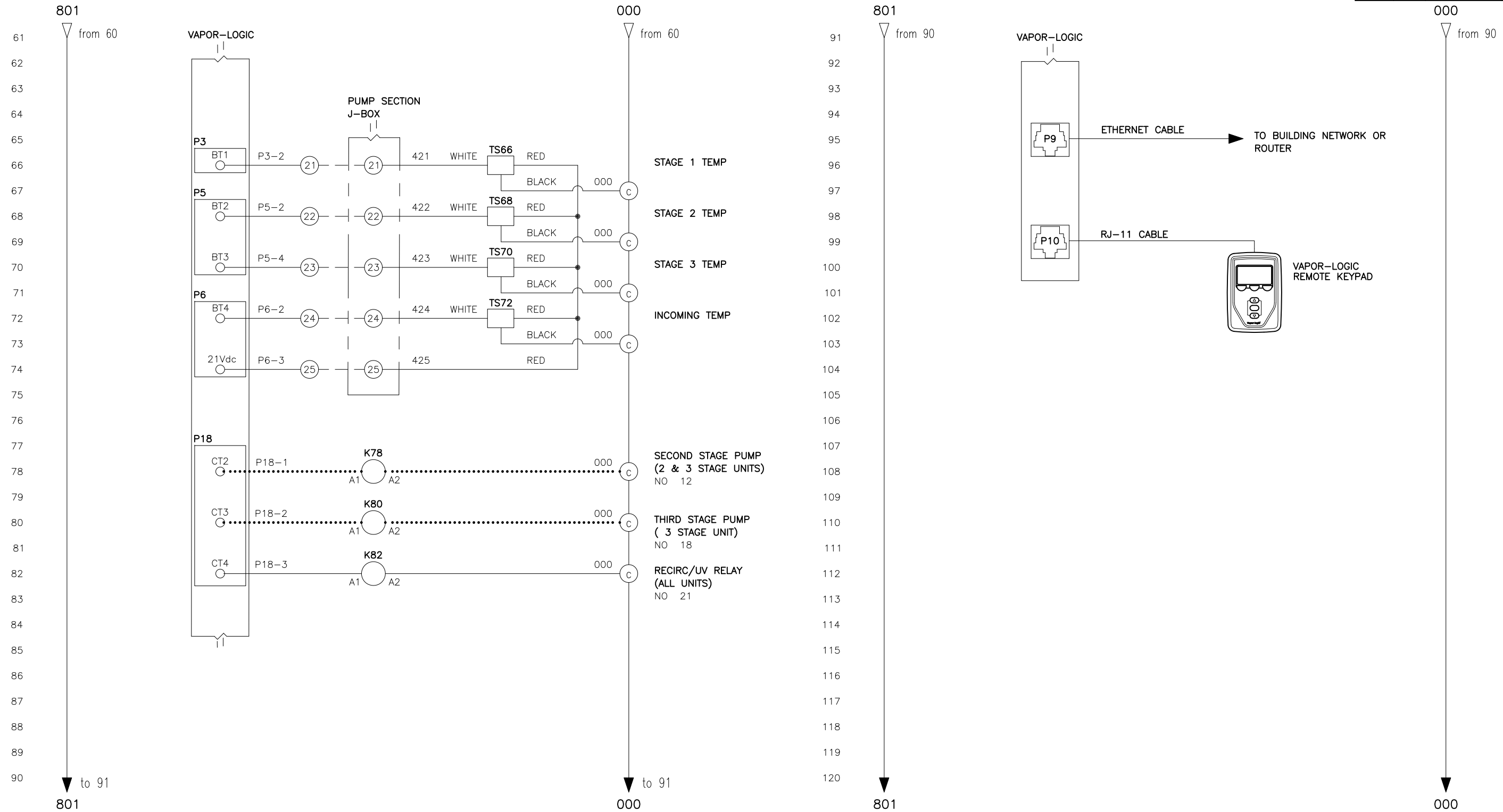
BREAK TO EXTERNAL CONNECTIONS DIAGRAM

	WETTED MEDIA SYSTEM WITH TDS WIRING DIAGRAM	
	MAT'L: SCALE: DRAWN BY: JK DATE: 11/25/14	P/N WMS-VL-2 SHEET 1 OF 2

WETTED MEDIA CONTROL

WIRING DIAGRAM WITH VAPOR-LOGIC & TDS

DATE	REV	RECORD	DR
11/14	A	E.C.# 6357	JK
9/17	B	E.C.# 6443	JK
6/21	C	E.C.# 6998	JK



BREAK TO EXTERNAL CONNECTIONS DIAGRAM

- | LEGEND | | POWER WIRING | |
|--------|-----------------|--------------|-------------|
| K | RELAY/CONTACTOR | Y | SOLENOID |
| T | TRANSFORMER | N | SENSOR |
| Q | CIRCUIT BREAKER | J | JUMPER |
| S | SWITCH | E | WATER PROBE |
| H | HEATER | M | MOTOR/FAN |
| L | LAMP | | |
- CONTROL CIRCUIT WIRING
 FIELD WIRING
 OPTIONAL FACTORY

 OPTIONAL FIELD

	WETTED MEDIA SYSTEM WITH TDS WIRING DIAGRAM	
	SCALE:	P/N
	DRAWN BY: JK	WMS-VL-2
DATE: 11/25/14	SHEET 2 OF 2	