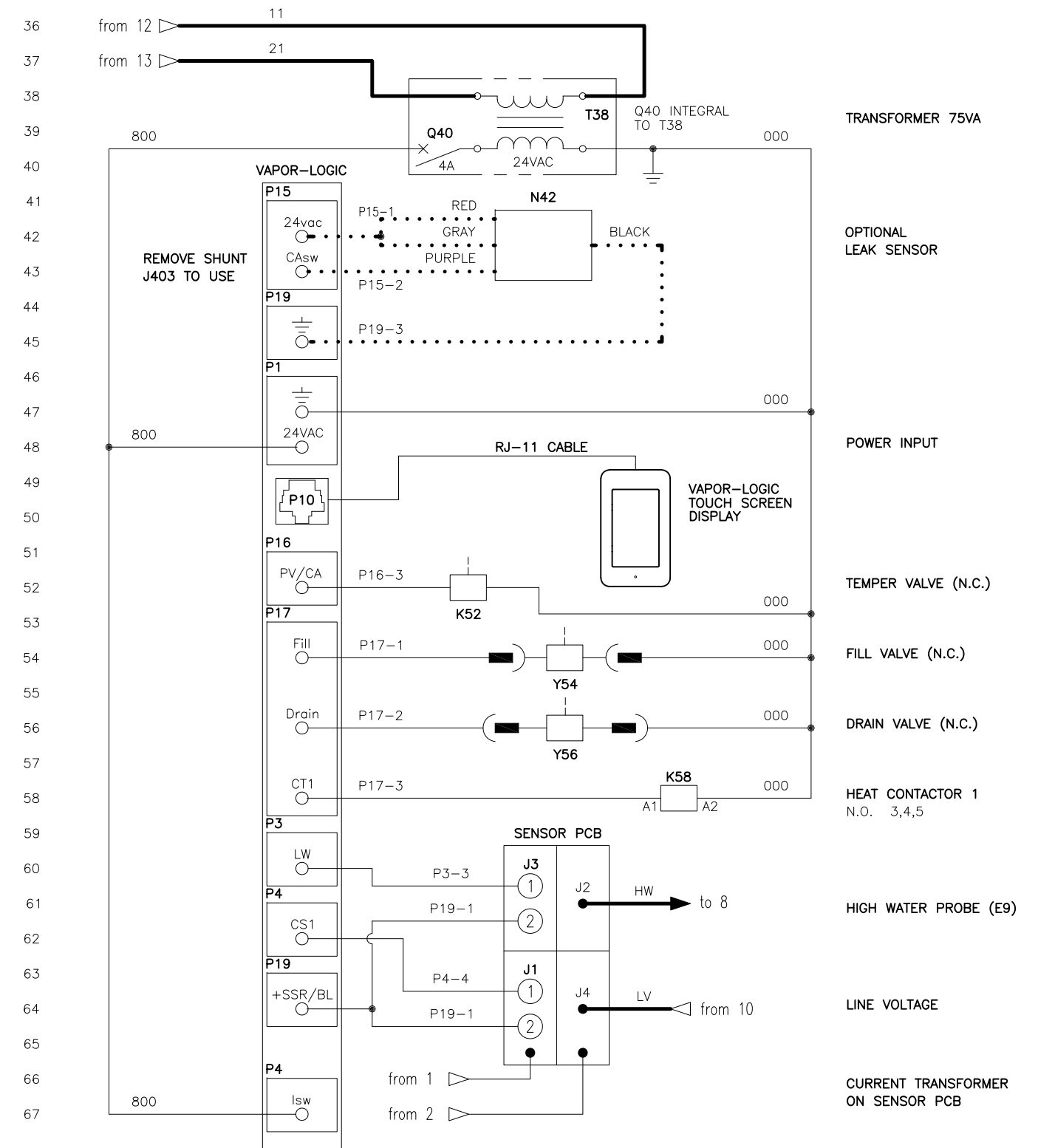
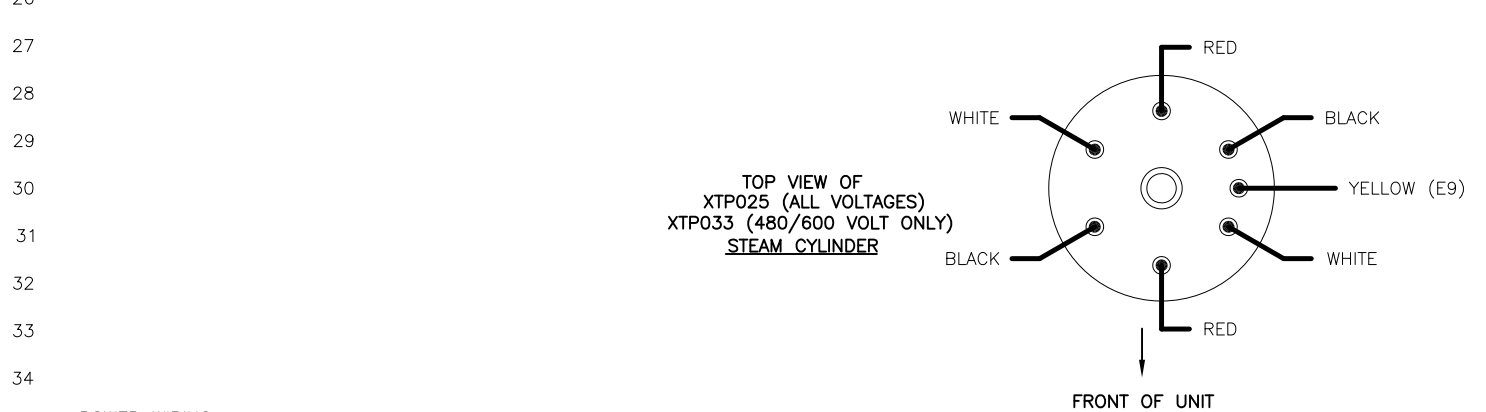
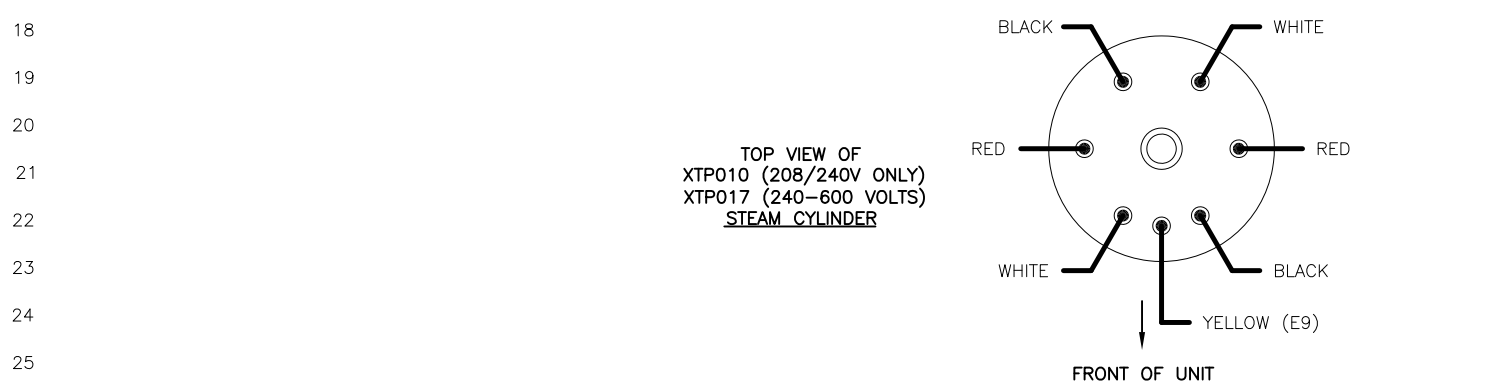
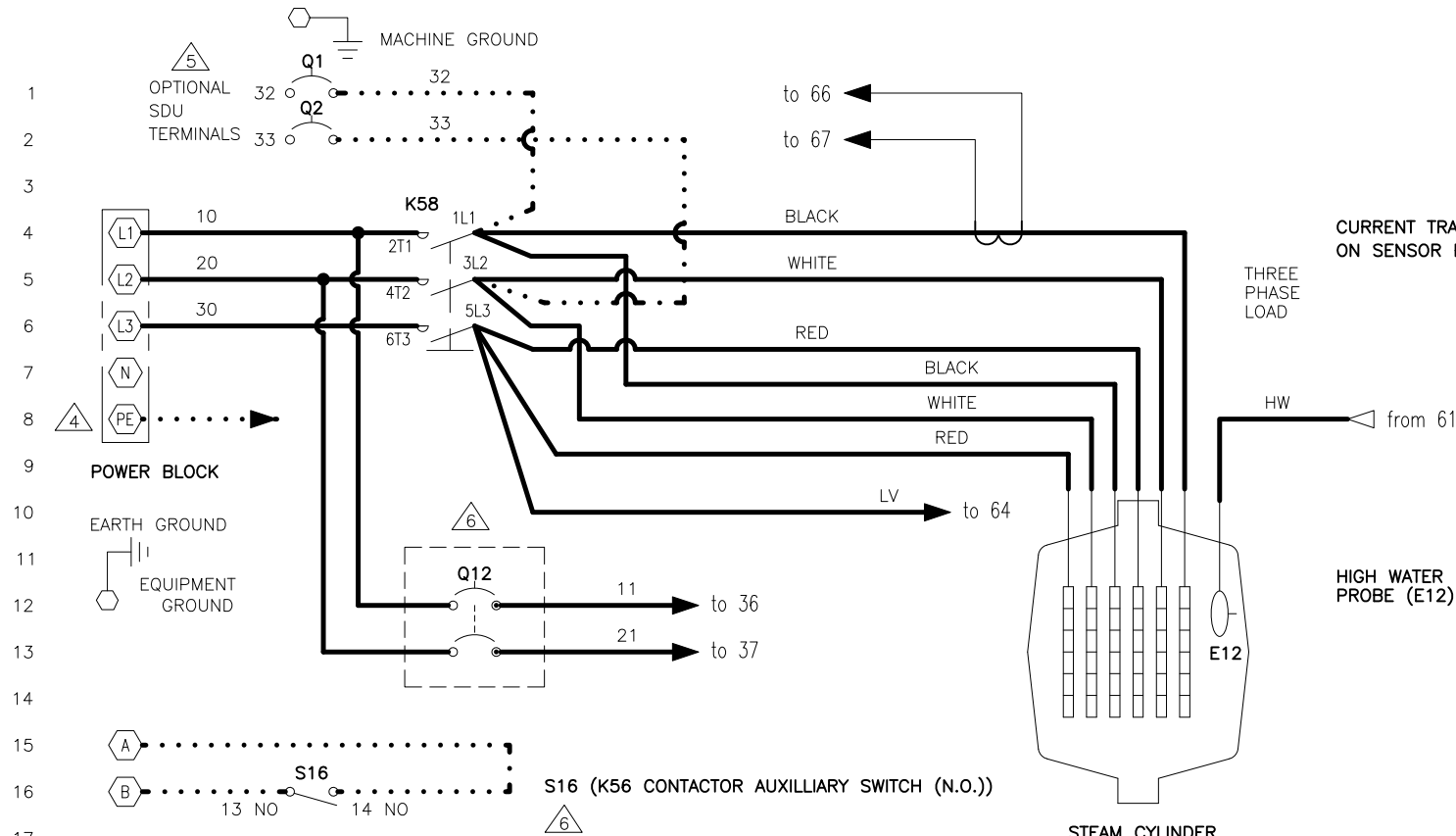


# XTP SIX ELECTRODE STEAM HUMIDIFIER

REFER TO FOLLOWING DOCUMENTS  
 -INSTALLATION REQUIREMENTS  
 -EXTERNAL CONNECTIONS

DATE	REV	RECORD	DR
3/26	A	E.C.# 7409	JK



**POWER WIRING**  
 CONTROL CIRCUIT WIRING  
 FIELD WIRING  
 OPTIONAL FACTORY  
 OPTIONAL FIELD

**LEGEND**  
 K RELAY/CONTACTOR, T TRANSFORMER, Q CIRCUIT BREAKER, S SWITCH, H HEATER, F FUSE, Y SOLENOID, N SENSOR, J JUMPER, E WATER PROBE, M MOTOR/FAN

**NOTES:**  
 1. WIRING AND BRANCH CIRCUIT PROTECTION PROVIDED BY INSTALLER AS PER NATIONAL ELECTRICAL CODE.  
 2. FOR SUPPLY HEATER AND MACHINE GROUND CONNECTIONS, SIZE WIRE USING 75°C WIRE TABLE PER NATIONAL ELECTRICAL CODE.

3. USE COPPER CONNECTORS RATED FOR 105°C.  
 4. FOR 230 & 400 VOLT  
 5. WIRES 32 AND 33 -OPTIONAL WITH SDU ONLY  
 6. FACTORY OPTION  
 7. REFERENCE OUTDOOR ENCLOSURE DIAGRAM #XTP-V2-OE-1

BREAK TO EXTERNAL CONNECTIONS DIAGRAM

		XTP SIX ELECTRODE	
		MAT'L:	P/N
SCALE:	DATE: 12/10/25	XTP-V2-VL-3	
DRAWN BY: JK			